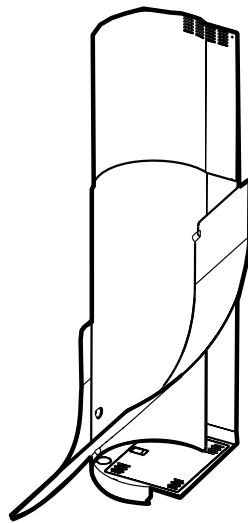
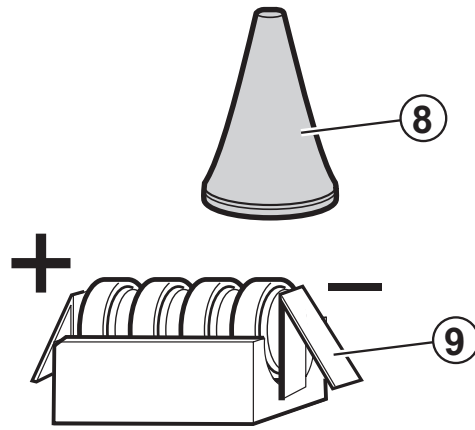
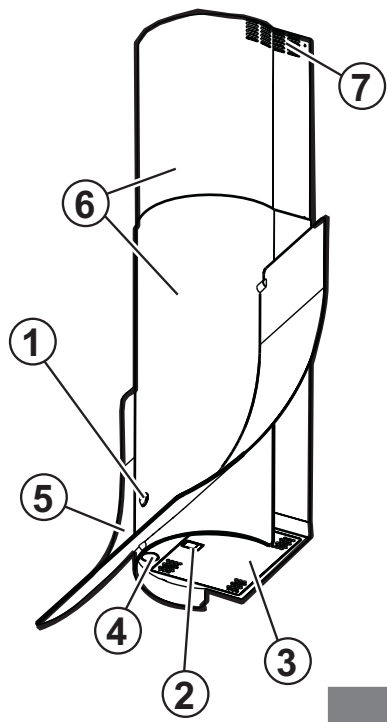


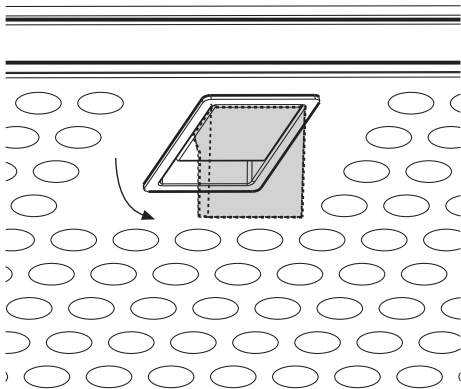
# Concave

*by David Lewis*

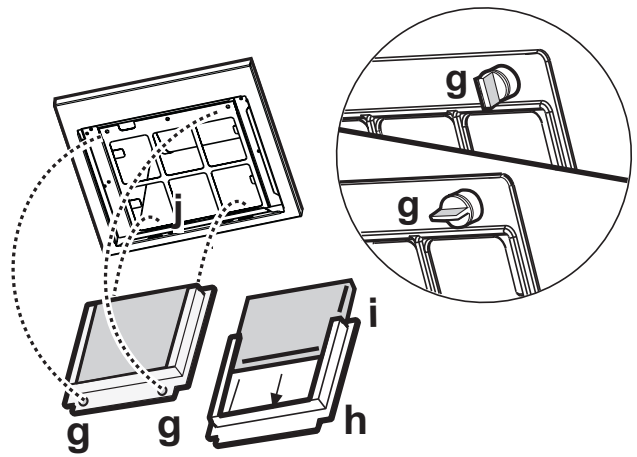




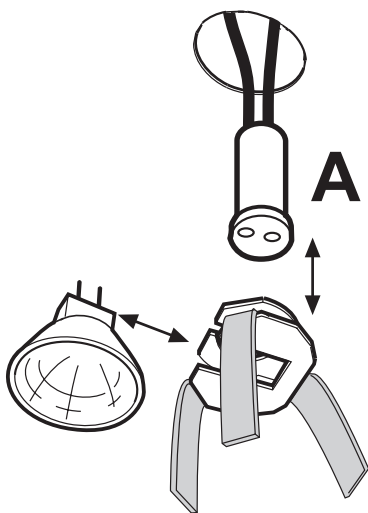
1



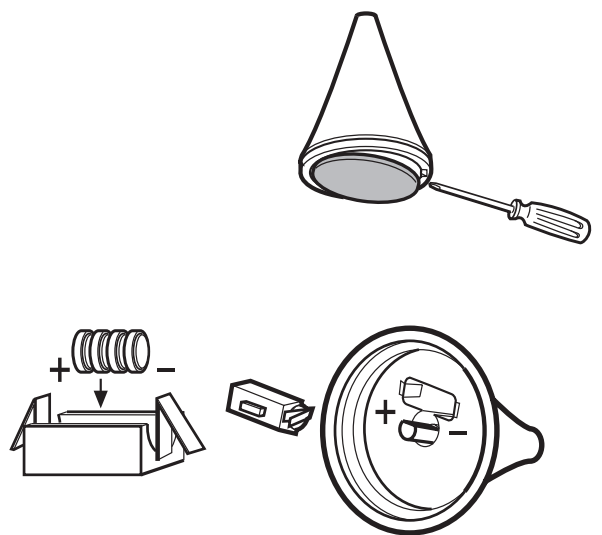
2



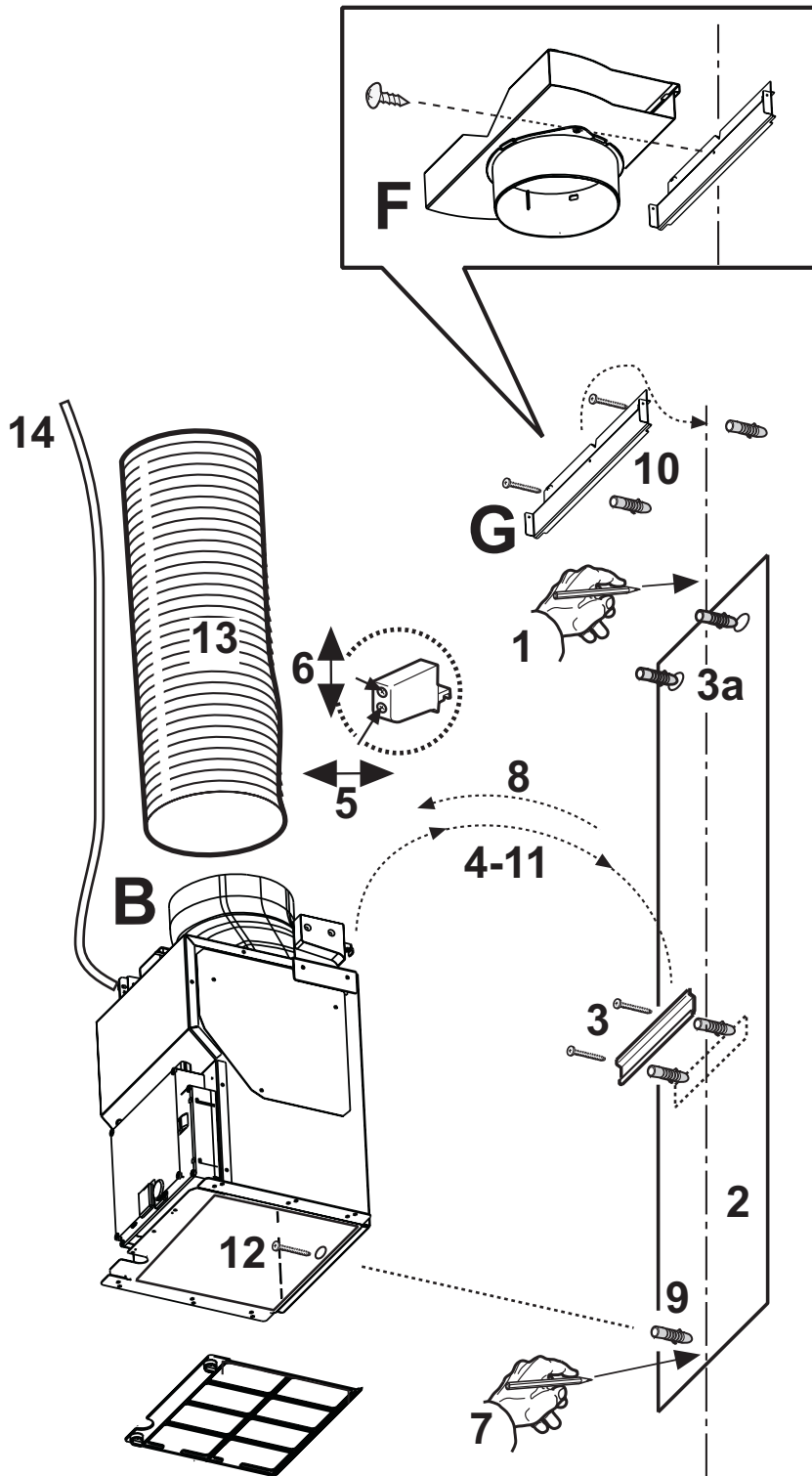
3

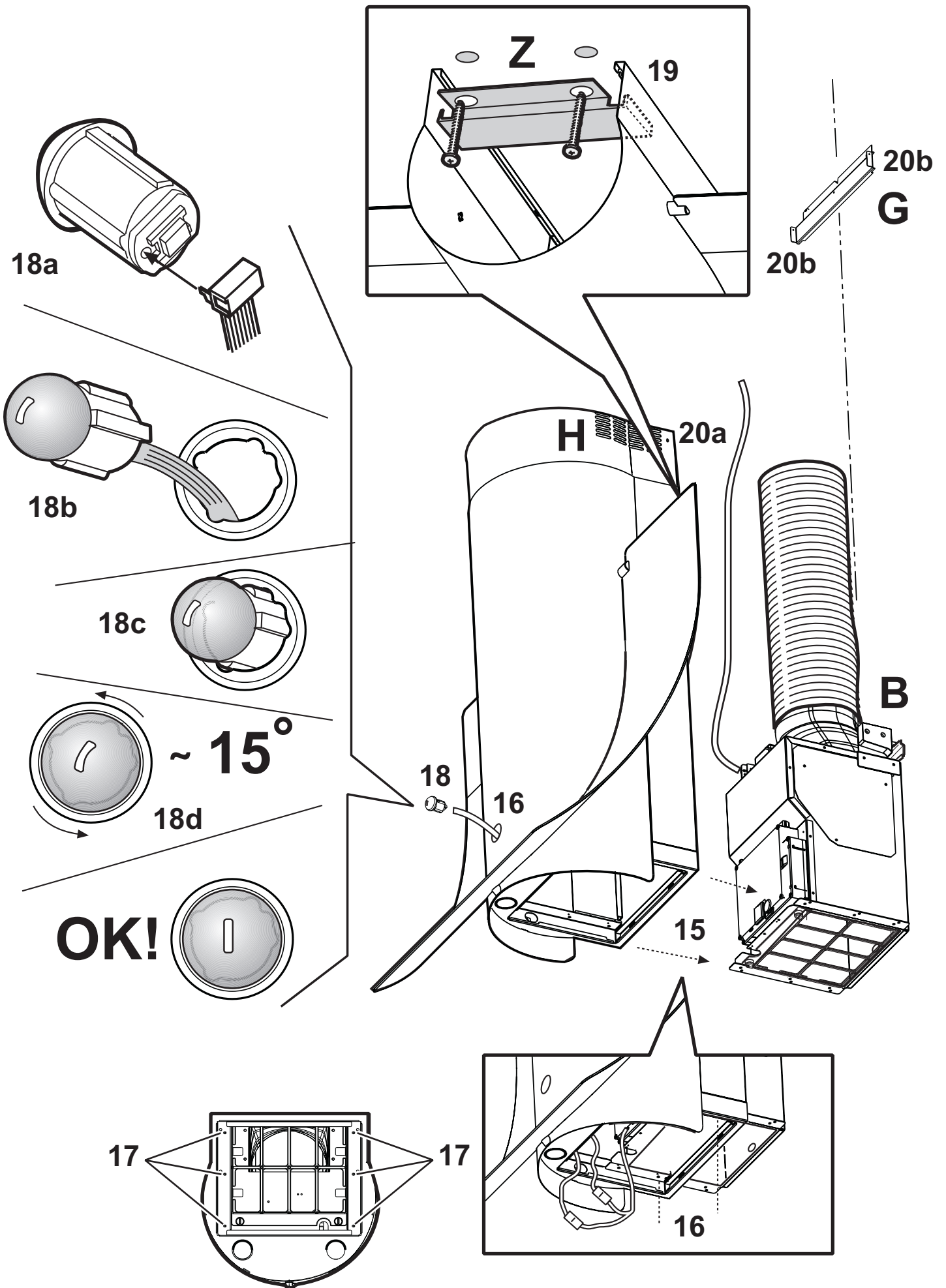


4



5





Consult the designs in the front pages referenced in the text by alphabet letters. **Closely follow the instructions set out in this manual.** All responsibility, for any eventual inconveniences, damages or fires caused by not complying with the instructions in this manual, is declined.

The cooker hood must be placed at a minimum distance of 50 cm from the cooking plane for electric cookers and 75cm for gas or mixed cookers.

The hood can be installed above these heights but for optimum performance it should be installed at the distance quoted for the appropriate heat source.

The hood is equipped with a top air outlet „B“ for discharge of fumes to the outside (**Ducting version** – exhaust pipe and pipe fixing clamps not provided).

Should it not be possible to discharge cooking fumes and vapour to the outside, the hood can be used in the **filter version**, fitting an activated carbon filter and the deflector „F“ on the support (bracket) „G“, fumes and vapours are recycled through the top grille „H“ by means of an exhaust pipe connected to the top air outlet „B“ and the connection ring mounted on the deflector „F“ (exhaust pipe and pipe fixing clamps not provided).

The models with no suction motor only operate in ducting mode, and must be connected to an external suction device (not supplied).

### Installation - Fig. 6-7

**Preliminary information for installation of the hood:** Disconnect the hood during electrical connection, by turning the home mains switch off.

Expansion wall plugs are provided to secure the hood to most types of walls/ceilings. However, a qualified technician must verify suitability of the materials in accordance with the type of wall/ceiling. The wall/ceiling must be strong enough to take the weight of the hood.

**Do not tile, grout or silicone this appliance to the wall. Surface mounting only.**

Remove the grease filter/s.

- Using a pencil, draw a line on the wall, extending up to the ceiling, to mark the centre. This will facilitate installation.
- Rest the drilling template against the wall: the vertical centre line printed on the drilling template must correspond to the centre line drawn on the wall, and the bottom edge of the drilling template must correspond to the bottom edge of the hood: bear in mind that, when installation is complete, the underside of the hood must be at least 50 cm above the cooker top in the case of electric cookers, and at least 75 cm above the cooker top in the case of gas or mixed cookers.
- Rest the support bracket on the drilling template so that it coincides with the dotted rectangle, mark the two outer holes and drill them (mark and also carry out upper drill holes - **3a**), remove the drilling template, insert 4 wall plugs and fix the hood support bracket into place using two 5x45mm screws.
- Hang the hood on the bracket.
- Adjust the distance of the hood from the wall.
- Adjust the horizontal position of the hood.

- Remove the carbon filter frame (see also **Fig. 3**); mark the drill hole, using a pencil, for fastening the hood to the wall.
- Remove the hood from the bracket.
- Drill at the point marked ( $\varnothing 8\text{mm}$  - see operation **10**). Insert 1 wall plug.
- Rest the chimney support bracket „G“ against the wall, touching the ceiling. Use the support bracket as a drilling template (the small slot formed on the support must coincide with the line drawn on the wall as above – operation **1**) and mark 2 holes with a pencil, drill the holes ( $\varnothing 8\text{mm}$ ), insert 2 wall plugs. Fix the chimney support bracket to the wall using two 5x45mm screws.
- Hook the hood onto the bottom bracket.
- Fasten the hood to the wall with 1 5x45 mm screw (**ABSOLUTELY NECESSARY**), remove the carbon filter frame (see also **Fig. 3**).
- Connect a pipe (pipe and pipe clamps not provided, to be purchased separately) for discharge of fumes to the connection ring located over the suction motor unit. If the hood is to be used in ducting version, the other end of the pipe must be connected to a device expelling the fumes to the outside. If the hood is to be used in filter version, fix deflector „F“ to the chimney support bracket „G“ using 4 screws, and connect the other end of the pipe to the connection ring on deflector „F“.
- Make the electrical connections.
- Insert the external covering, of the motor group, half-way.
- Carry out the lamp connection (for major safety during this operation you may fix the motor group to the external covering with one screw).  
Extract the connection plate of the electronic card from the perforation of the control ball housing.
- Insert the external covering of the motor group fully and permanently fix with 6 screws.
- Connect the “Control Ball” to the small plate (18a), and insert in the appropriate housing; the “Control Ball” has an obligatory insertion direction (see operations 18b-18c).  
Turn the “Control Ball” 15° (degrees) anticlockwise exerting pressure, once the control ball has been fully wound.
- Fix the bracket **Z** with two screws, so that the bracket blocks the lower section of the telescopic chimney (external covering) to the wall.
- Apply the chimney stacks and fasten them at the top to the chimney support „G“ (**20b**) using 2 screws (**20a**). Refit the grease filter/s and check that the hood is operating correctly.

### Electrical connection

The electrical tension must correspond to the tension noted on the label placed inside the cooker hood. Connect the electrical plug, where provided, to the an easily accessible outlet in conformity with local standards in force.

Where an electrical plug is not provided (for direct connection to electrical network) place a standards approved bipolar switch with an aperture distance of not less than 3mm (accessible) from the contacts.

**Description of the hood - Fig. 1**

- 1 Control Ball
- 2 Grease filter
- 3 Grease filter release handle
- 4 Halogen lamp (only for model with halogen lamp)
- 5 Vapour screen
- 6 Telescopic chimney
- 7 Air outlet (used for filter version only)
8. Remote control
9. Batteries type ..394 of 1.5V (4 batteries supplied already mounted inside the remote control on the appropriate battery holder).

**Operation**

The cooker hood operation may be controlled by the **remote control or the control ball**.

All changes of operational states (changing speed, light switch, etc.) are recognisable by the variation of light emitted by the control ball and a sound signal.

The control ball also serves as a luminous signal:

- **No signal:**  
The cooker hood is off.
- **Green light :**  
Cooker hood is switched on at speed 1 – 2 (minimum).
- **Orange light :**  
Cooker hood is switched on at speed 3 – 4 (medium).
- **Red light :**  
Cooker hood is switched on at speed 5 (maximum).
- **Flashing red light :**  
Cooker hood is switched on at intensive speed (timed at 5 minutes).
- **Flashing green light :**  
Indicates that the grease filter is saturated – carry out grease filter cleaning.
- **Orange Flashing Light signal:**  
Indicates the odour filter saturation – clean or replace odour filter
- **Flashing green – orange – red light in sequence:**  
Remote control battery is depleted – replace battery.

Use the high suction speed in cases of concentrated kitchen vapours. It is recommended that the cooker hood suction is switched on for 5 minutes prior to cooking and to leave in operation during cooking and for another 15 minutes approximately after terminating cooking.

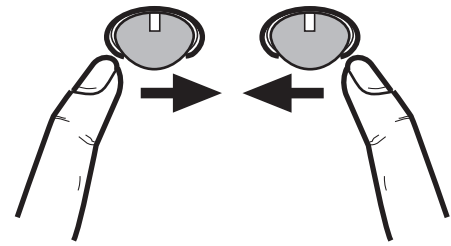
**Attention!**

The control Ball flashes orange to indicate the saturation of the odour filter even when the odour filter (carbon filter) is not installed inside the cooker hood.

However perform the signal reset operation as follows:  
Select the intensive speed (the control ball will turn on with a red flashing light signal), depress again and hold depressed for about 3 seconds until there is a beep sound indicating that reset has occurred.

**Using the control ball**

The cooker hood was designed to be remote controlled. All functions are operable via the control ball.

**Switching on the cooker hood**

The control ball is a balance wheel switch. Depressing the control ball towards the right repeatedly switches on the cooker hood and all the suction speed selections up to the intensive suction speed, depressing again towards the right the cooker hood switches off.

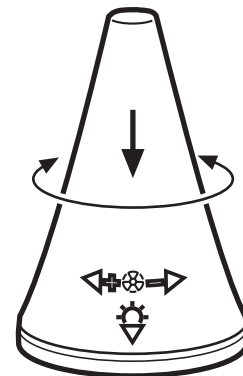
**Turning on the light**

Depress the control ball towards the left: once for diffused lighting, pressing again for full lighting, pressing again switches the light off.

**Using the Remote Control**

(patented design by Elica)

The remote control may operate in humid environments, but not when placed on wet surfaces.



**Selecting the Suction Speed** position the remote control vertically near the cook top area and rotate clockwise to increase the suction speed, and anticlockwise to decrease the suction speed.

**Turning on the Light**, press the remote control from the top downwards once for suffused lighting, again for full lighting, and again to turn off the light.

**Warning!**

If the remote control doesn't work after installation (yet the control ball works correctly), do the following:

1. Place the remote control on the work surface near the hood.
2. Disconnect the hood from the mains.
3. Reconnect the hood to the mains.

**Follow this procedure whenever the remote control doesn't work for no apparent reason (e.g.: dead battery).**

## Maintenance

Prior to any maintenance operation ensure that the cooker hood is disconnected from the power supply.

### Cleaning

The cooker hood should be cleaned regularly internally and externally.

For cleaning use a cloth moistened with denatured alcohol or neutral liquid detergents. Avoid abrasive detergents.

### Warning:

Failure to carry out the basic standards of the cleaning of the cooker hood and replacement of the filters may cause fire risks.

Therefore we recommend observing these instructions.

### Grease filter

This must be cleaned once a month using non aggressive detergents, either by hand or in the dishwasher, which must be set to a low temperature and a short cycle.

When washed in a dishwasher, the grease filter may discolour slightly, but this does not affect its filtering capacity. To remove the grease filter, pull the spring release handle „f“ - (Fig. 2).

### Charcoal filter (filter version only)

It absorbs unpleasant odours caused by cooking.

The charcoal filter can be washed once every two months using hot water and a suitable detergent, or in a dishwasher at 65°C (if the dishwasher is used, select the full cycle function and leave dishes out).

Eliminate excess water without damaging the filter, then remove the mattress located inside the plastic frame and put it in the oven for 10 minutes at 100° C to dry completely. Replace the mattress every 3 years and when the cloth is damaged.

Remove the filter holder frame by turning the knobs „g“ 90° that affix the chimney to the cooker hood (Fig. 3).

Insert the pad „i“ of activated carbon into the frame „h“ and fit the whole back into its housing „j“.

### Reset filter saturation signal

#### Green or orange flashing light

Proceed as follows:

Select the intensive speed (the control ball switches on with flashing red light), depress again and hold for 3 about seconds until the beep sound indicating that reset has occurred.

### Replacing lamps - Fig. 4

Firstly check that the lamps are well cooled prior to replacing them.

Use a small screwdriver as a lever on the borders of the lamp in order to remove the lightbulb.

Unthread the connector A.

Slide out the lightbulb to be replaced and replace with a new 12V 20W 30° Ø35 12V GU4 PHILIPS STANDARD LINE code 425409.

Carry out the replacement and mount the new lightbulb by following instructions in the reverse.

**If the lights do not work, make sure that the lamps are fitted properly into their housings before you call for technical assistance.**

### Remote Control Maintenance - Fig. 5

Clean the remote control using non abrasive detergents.

Follow the instructions below in order to replace the batteries for the remote control :

- Using a small screwdriver, raise the cover on the base of the remote control, in order to access the battery compartment.

Remove the battery holder, and replace 4 new batteries type ..394 of 1.5V.

Place the batteries in order in the battery holder (see illustration) taking care to respect the polarities indicated on the base of the upper section of the remote control.

## Caution

This appliance is designed to be operated by adults. Children should not be allowed to tamper with the controls or play with the appliance.

Do not use the cooker hood where the grill is not correctly fixed! The suctioned air must not be conveyed in the same channel used for fumes discharged by appliances powered by other than electricity. The environment must always be adequately aerated when the cooker hood and other appliances powered by other than electricity are used at the same time. Flambé cooking with a cooker hood is prohibited. The use of a free flame is damaging to the filters and may cause fire accidents, therefore free flame cooking must be avoided. Frying of foods must be kept under close control in order to avoid overheated oil catching fire. Carry out fumes discharging in accordance with the regulations in force by local laws for safety and technical restrictions.