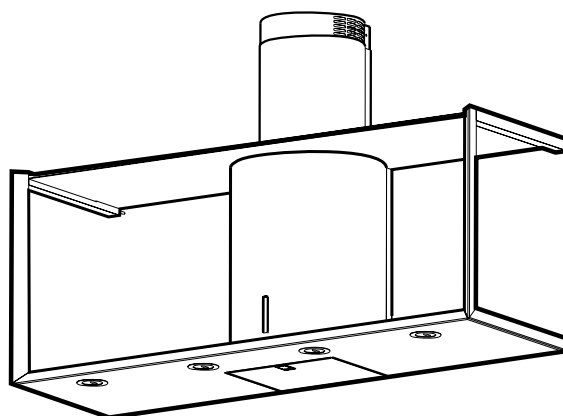
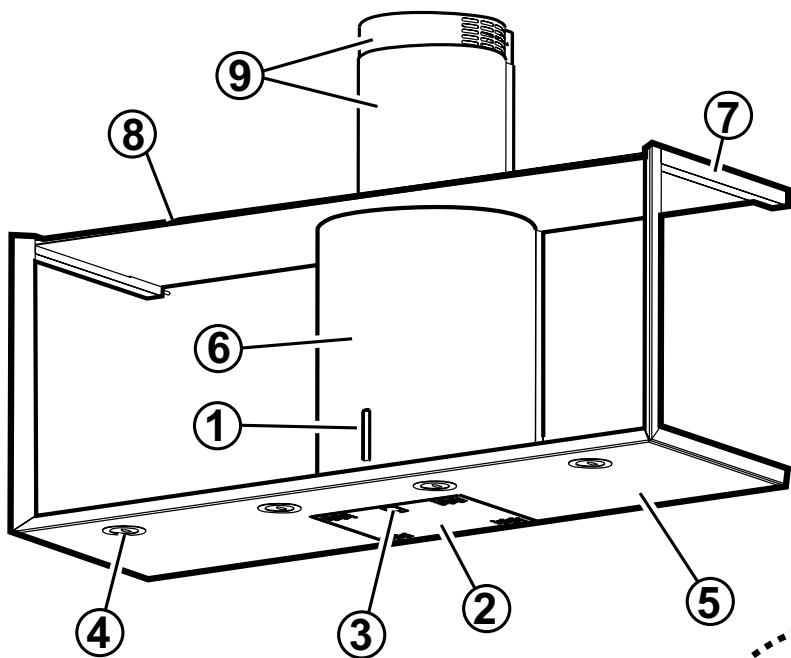


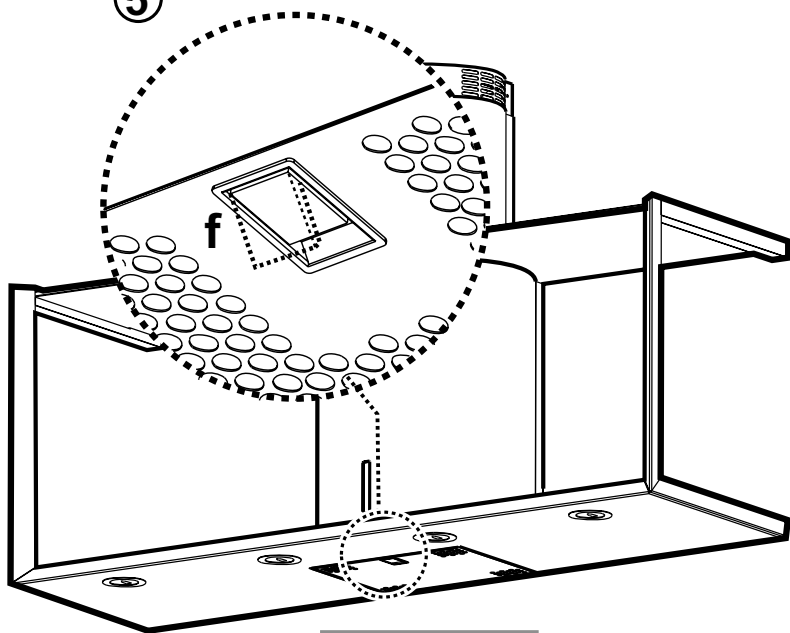
# Futura

*By David Lewis*

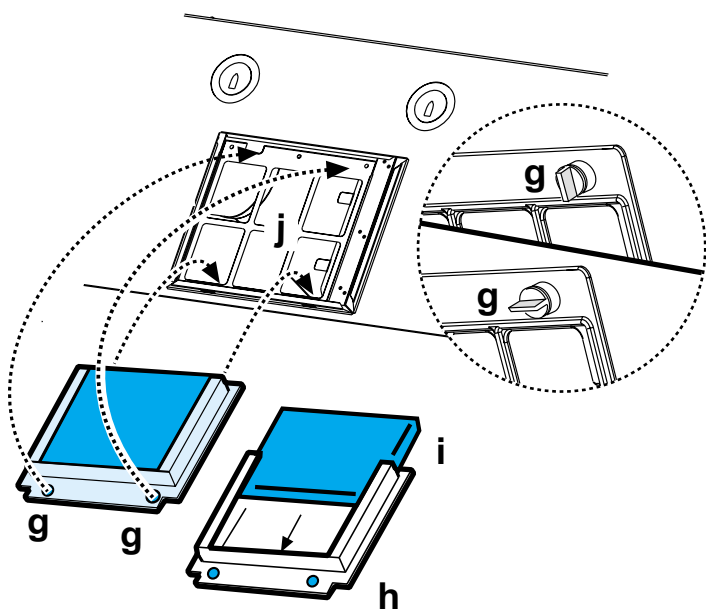




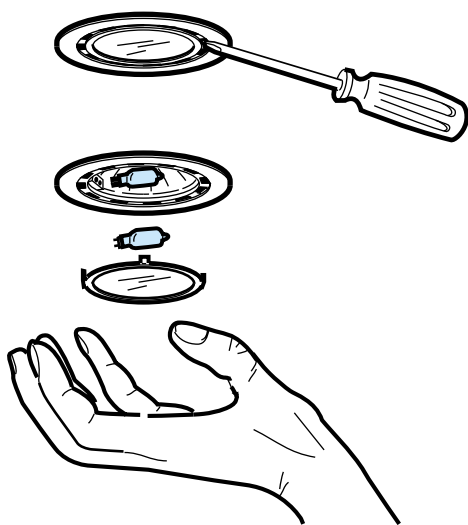
1



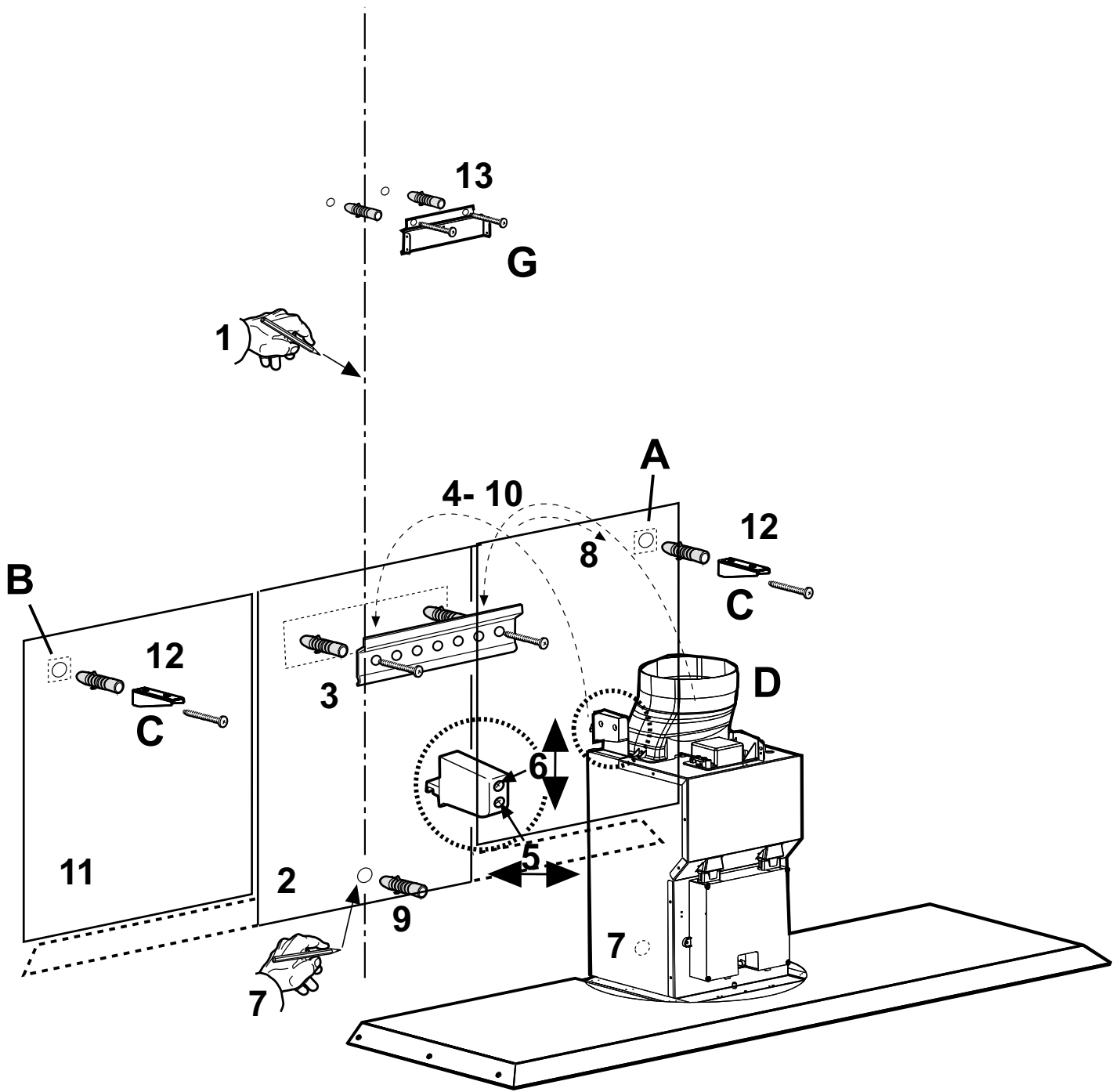
2

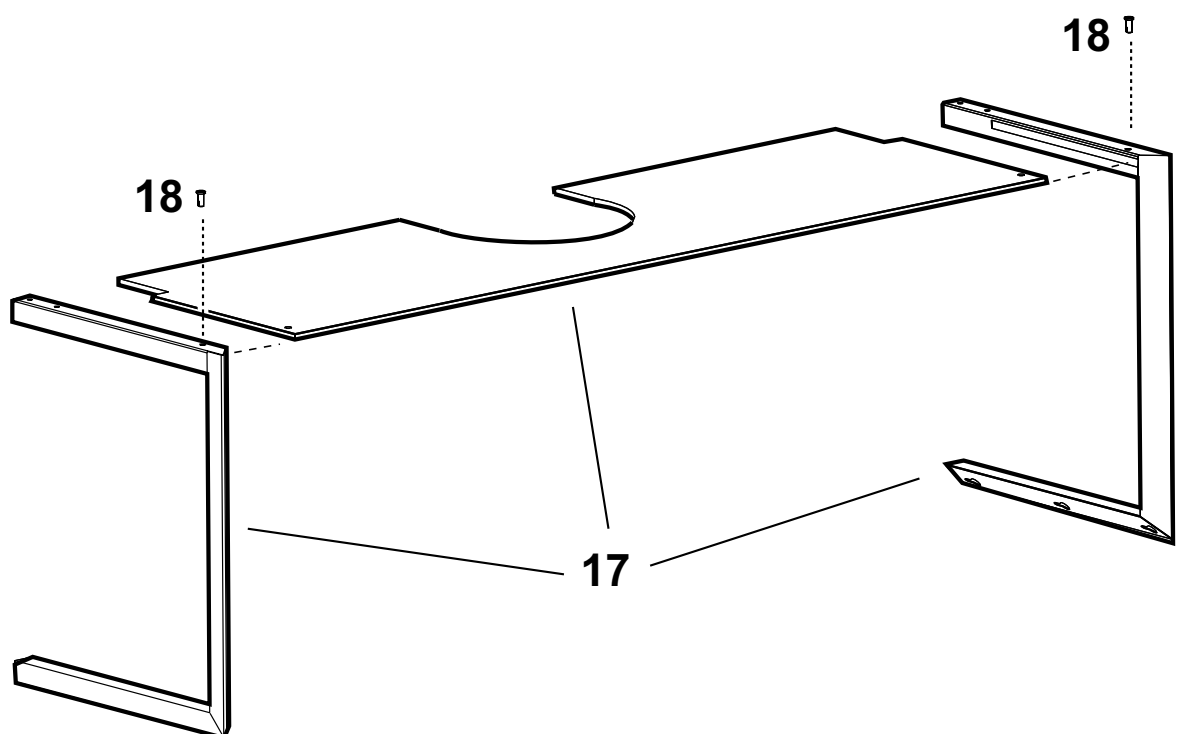
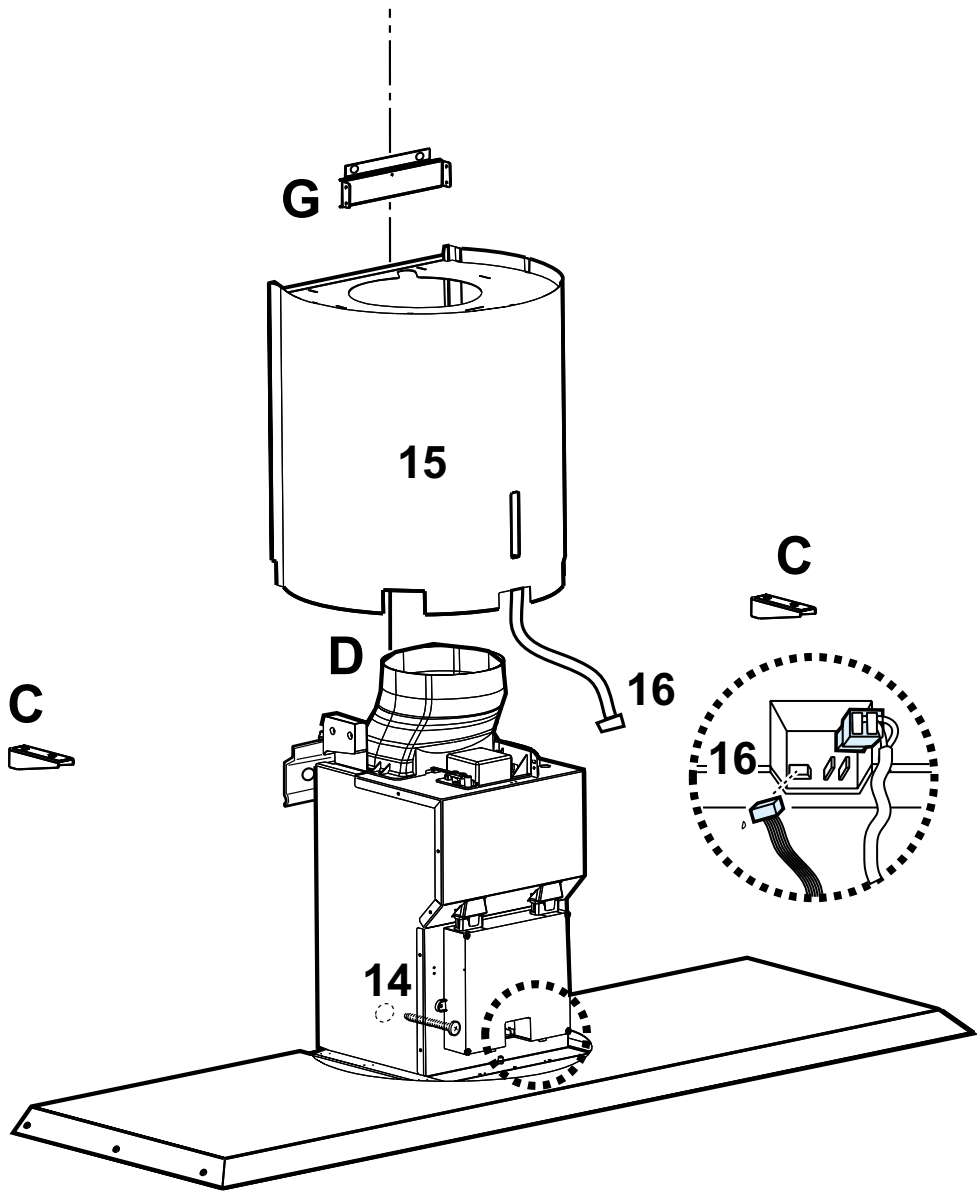


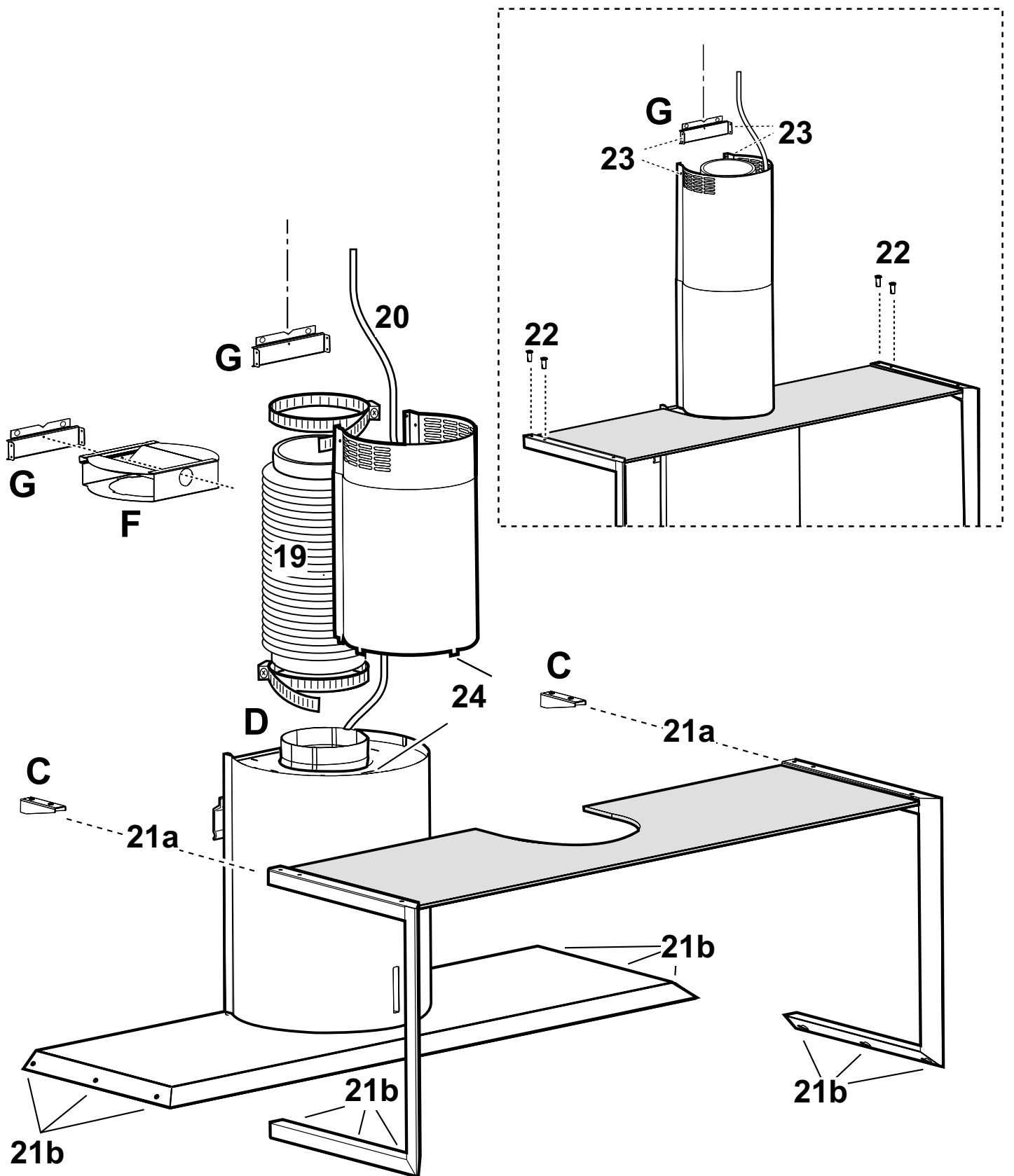
3



4







Consult the designs in the front pages referenced in the text by alphabet letters. **Closely follow the instructions set out in this manual.** All responsibility, for any eventual inconveniences, damages or fires caused by not complying with the instructions in this manual, is declined.

The cooker hood must be placed at a minimum distance of 50 cm from the cooking plane for electric cookers and 75cm for gas or mixed cookers.

The hood is equipped with a top air outlet „B“ for discharge of fumes to the outside (**Ducting version** – exhaust pipe and pipe fixing clamps not provided).

Should it not be possible to discharge cooking fumes and vapour to the outside, the hood can be used in the **filter version**, fitting an activated carbon filter and the deflector „F“ on the support (bracket) „G“, fumes and vapours are recycled through the top grille „H“ by means of an exhaust pipe connected to the top air outlet „B“ and the connection ring mounted on the deflector „F“ (exhaust pipe and pipe fixing clamps not provided).

The models with no suction motor only operate in ducting mode, and must be connected to an external suction device (not supplied).

### Installation - Fig. 5-6-7

**Preliminary information for installation of the hood:** Disconnect the hood during electrical connection, by turning the home mains switch off.

Expansion wall plugs are provided to secure the hood to most types of walls/ceilings. However, a qualified technician must verify suitability of the materials in accordance with the type of wall/ceiling. The wall/ceiling must be strong enough to take the weight of the hood.

**Do not tile, grout or silicone this appliance to the wall. Surface mounting only.**

Remove the grease filter/s.

1. Using a pencil, draw a line on the wall, extending up to the ceiling, to mark the centre. This will facilitate installation.
2. Rest the drilling template against the wall: the vertical centre line printed on the drilling template must correspond to the centre line drawn on the wall, and the bottom edge of the drilling template must correspond to the bottom edge of the hood: bear in mind that, when installation is complete, the underside of the hood must be at least 50 cm above the cooker top in the case of electric cookers, and at least 75 cm above the cooker top in the case of gas or mixed cookers.
3. Rest the support bracket on the drilling template so that it coincides with the dotted rectangle, mark the two outer holes and drill them, remove the drilling template, insert 2 wall plugs and fix the hood support bracket into place using two 5x45mm screws.
4. Hang the hood on the bracket.
5. Adjust the distance of the hood from the wall.
6. Adjust the horizontal position of the hood.
7. Mark the drill hole, using a pencil, for fastening the hood to the wall (two drill holes are necessary for fastening).
8. Remove the hood from the bracket.
9. Drill at the point marked (Ø8mm - see operation 7). Insert 1 wall plug.

10. Hook the hood onto the bottom bracket.

11. Apply to the left of the hood the holding scheme for the supports **C** so that hole **B** indicated on the template is found high on the left. The drilling template scheme has the necessary instructions to position it in the correct manner. Repeat the same operations on the right side of the hood (so that hole **A** indicated on the template is found high on the right).

12. Make 2 holes, as indicated on the drilling template for the fixing of the **C** supports of the lateral stirrups. Fix the **C** supports with screws and wall plugs.

13. Rest the chimney support bracket **G** against the wall, touching the ceiling. Use the support bracket as a drilling template (the small slot formed on the support must coincide with the line drawn on the wall as above – operation 1) and mark 2 holes with a pencil, drill the holes (Ø8mm), insert 2 wall plugs.

Fix the chimney support bracket to the wall using two 5x45mm screws.

14. Fasten the hood to the wall with 1 x 5x45 mm screw (**ABSOLUTELY NECESSARY**).

15. Apply the inferior chimney at the covering of the motor group, the electric cable for the domestic network connection is to be inserted in the superior hole

16. Implement the flat twin cable of the command panel to the control unit, thereafter control that the inferior border of the chimney is well inserted in the housing above the vapour screen.

17. Assemble the lateral stirrups and the glass shelf.

18. Fix temporarily with the two blockage pivots supplied.

19. Connect a pipe (pipe and pipe clamps not provided, to be purchased separately) for discharge of fumes to the connection ring **D** located over the suction motor unit. If the hood is to be used in ducting version, the other end of the pipe must be connected to a device expelling the fumes to the outside. If the hood is to be used in filter version, fix deflector **F** to the chimney support bracket **G** using 1 screw, and connect the other end of the pipe to the connection ring on deflector **F**.

20. Make the electrical connections.

21. Fix the glass-shelf above the hood: the lateral stirrups must be threaded in the supports **C** (**21a**), and in the bottom, temporarily blocked in position by means of the pivots and the loops available (**21b**).

22. Fix the shelf and the stirrups permanently to the supports **C** with 4 screws.

23. Apply the upper telescopic chimney and fasten them at the top to the chimney support **G** using 2 screws.

24. Let the inferior section of the telescopic chimney slide until the small flaps enter inside the appropriate slots on the superior side of the inferior chimney.

Replace the grease filter/s and check that the hood is operating correctly.

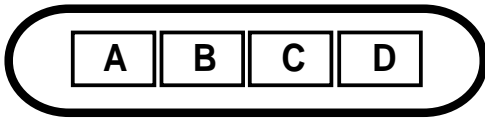
### Electrical connection

The electrical tension must correspond to the tension noted on the label placed inside the cooker hood. Connect the electrical plug, where provided, to the an easily accessible outlet in conformity with local standards in force.

Where an electrical plug is not provided (for direct connection to electrical network) place a standards approved bipolar switch with an aperture distance of not less than 3mm (accessible) from the contacts.

**Description of the hood - Fig. 1**

- 1 Control panel
- 2 Grease filter
- 3 Grease filter release handle
- 4 Halogen lamp (only for model with halogen lamp)
- 5 Vapour screen
- 6 Telescopic chimney
- 7 Air outlet (used for filter version only)

**Operation –  
Model with button panel****Description of control panel and hood operation**

- A. on/off light switch  
 B. on/off aspiration switch and minimum power selection  
 B+C. medium power selection aspiration switch  
 B+D. maximum power selection aspiration switch

Use the high suction speed in cases of concentrated kitchen vapours. It is recommended that the cooker hood suction is switched on for 5 minutes prior to cooking and to leave in operation during cooking and for another 15 minutes approximately after terminating cooking.

**Maintenance**

Prior to any maintenance operation ensure that the cooker hood is disconnected from the power supply.

**Cleaning**

The cooker hood should be cleaned regularly internally and externally.

For cleaning use a cloth moistened with denatured alcohol or neutral liquid detergents. Avoid abrasive detergents.

**Warning:**

Failure to carry out the basic standards of the cleaning of the cooker hood and replacement of the filters may cause fire risks.

Therefore we recommend observing these instructions.

**Grease filter**

This must be cleaned once a month using non aggressive detergents, either by hand or in the dish-washer, which must be set to a low temperature and a short cycle.

When washed in a dish-washer, the grease filter may discolour slightly, but this does not affect its filtering capacity. To remove the grease filter, pull the spring release handle „f“ - (Fig. 2).

**Charcoal filter (filter version only)**

It absorbs unpleasant odours caused by cooking.

The charcoal filter can be washed once every two months using hot water and a suitable detergent, or in a dish-washer at 65°C (if the dish-washer is used, select the full cycle function and leave dishes out).

Eliminate excess water without damaging the filter, then remove the mattress located inside the plastic frame and put it in the oven for 10 minutes at 100° C to dry completely. Replace the mattress every 3 years and when the cloth is damaged.

Remove the filter holder frame by turning the knobs „g“ 90° that affix the chimney to the cooker hood (Fig. 3).

Insert the pad „i“ of activated carbon into the frame „h“ and fit the whole back into its housing „j“.

**Replacing lamps - Fig. 4**

Firstly check that the lamps are well cooled prior to replacing them.

Access the light compartment – extract the guard by levering it off with a small screwdriver or similar tool.

Replace the damaged light bulb.

Only use halogen bulbs of 20W max (G4), making sure you do not touch them with your hands.

Close the lamp cover (it will snap shut).

**If the lights do not work, make sure that the lamps are fitted properly into their housings before you call for technical assistance.**

**Caution**

This appliance is designed to be operated by adults. Children should not be allowed to tamper with the controls or play with the appliance.

Do not use the cooker hood where the grill is not correctly fixed! The suctioned air must not be conveyed in the same channel used for fumes discharged by appliances powered by other than electricity. The environment must always be adequately aerated when the cooker hood and other appliances powered by other than electricity are used at the same time. Flambé cooking with a cooker hood is prohibited. The use of a free flame is damaging to the filters and may cause fire accidents, therefore free flame cooking must be avoided. Frying of foods must be kept under close control in order to avoid overheated oil catching fire. Carry out fumes discharging in accordance with the regulations in force by local laws for safety and technical restrictions.