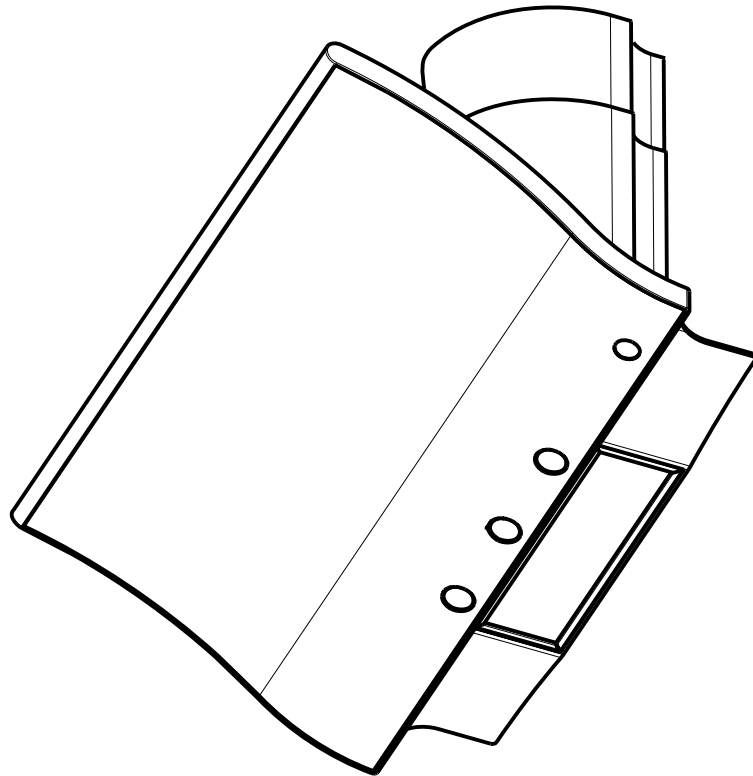


Wall Carpet

by David Lewis



Ⓓ	Inhaltsverzeichnis	1
ⒼⒷ	Summary	11
Ⓕ	Sommaire	21
ⒶⒻ	Inhoud	31
Ⓔ	SUMARIO	41
Ⓘ	Sommario	51
Ⓟ	Sumário	61

Summary

- Cooker Hood accessories _____ 12
- Technical characteristics _____ 12
- Installation - preliminary procedure _____ 13
- Installation _____ 13-14-15
- Installation and use caution _____ 16
- Cooker Hood use _____ 16
- Cooker Hood description _____ 17
- Cooker Hood controls _____ 17-18
- Maintenance _____ 18-19-20

*In this day and age we are constantly bombarded with ideas that try to astound, and quite often they do : with unexpected forms, unusual colours and contemporary gadgets. But looking beyond the superficial attraction we are often faced with the delusion of impracticality. Our company on the other hand proposes astounding but efficient products with remarkable simplicity and reliability, where product beauty is a functional part of the product performance,.
Day after day, our products reconfirm the quality of your choice.
Thank-you for choosing Elica,
and welcome to a world of beauty created to please and last a lifetime.*

Cooker Hood accessories

Check the cooker hood accessories.

The following components should be found inside the packaging:

- 1 Cooker Hood,
- 2 chimney flues,
- 1 chimney bracket,
- 1 deflector,
- bag containing this booklet, 2 tightening bands, template, hooks and dowels for fixing, 2 stoppers for affixing odour filter,
- 1 remote control,
- 1 silencer tube Ø 150mm.

Check the solidity of the wall prior to mounting the cooker hood, consult a qualified technician if needed.

Technical Characteristics

Model	Wall Carpet
Absorption (maximum)	195 Watt
Lightbulb	20W halogen Ø 35 12V with GU4 plug
Remote control battery	4 batteries ..394 of 1.5V
Remote control transmission	Radio-frequency
Air exit pipe diameter	150 mm
Grease filter grill	Stainless steel and anodised aluminium
Odour filter (supplied on order)	Long lasting active carbon filter
Weight	23 Kg.

Installation - preliminary procedure

The installation is carried out according to a sequence of procedures which is dependent upon the use of the cooker hood.

Suction version

Cooking vapours and fumes are discharged externally via a silencer tube that is fixed to the connection ring situated on top of the cooker hood.

The diameter of the discharge tube must be identical to the diameter of the connection ring.

In horizontal tracks the tube must have a slight inclination (about 10%) towards the top in order to convey air outside the environment.

If the cooker hood is supplied with odour filters, these must be removed prior to use.

Recycle version

The air is filtered via the odour filter (for mounting see "Odour Filter" paragraph) and recycled in the environment. If the cooker hood is not supplied with an odour filter, then it must be ordered and mounted prior to use.

This version is used in instances where external discharge of cooking fumes and vapours are not possible or installation of an external discharge tube is impossible.

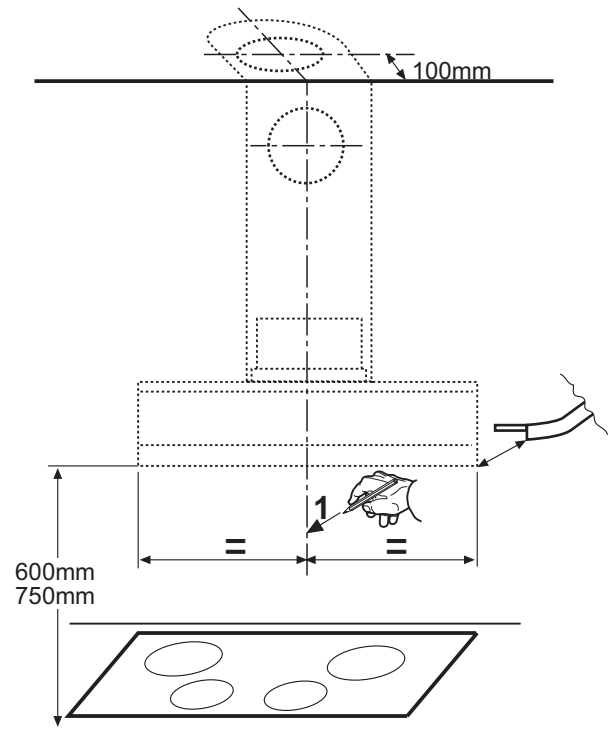
Installation

Follow the instructions below for cooker hood installation:

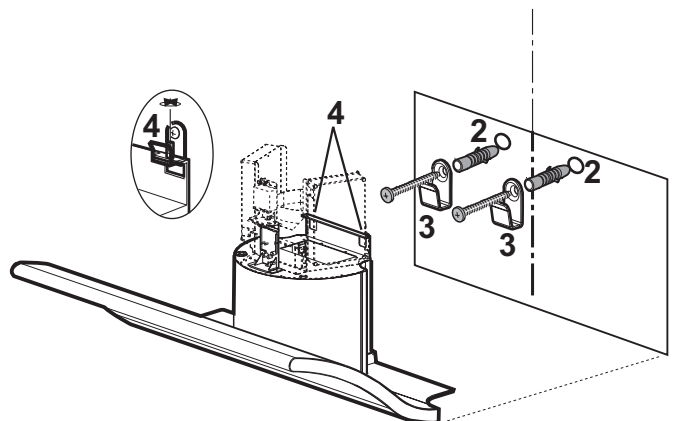
1. Mark a vertical line on the wall up to the ceiling corresponding to the central line of the cooker hood. Place the template on the wall ensuring that the central line sits on the line marked on the wall, keeping in mind that the template corresponds to the actual cooker hood ensure that the lower section is placed at a minimum distance of 600mm for electric cook tops or 700mm for gas or mixed cook tops, at final installation of cooker hood. Do not tile, grout or silicone this appliance to the wall. Surface mounting only. Do not fix chimney flue to furniture or fly over shelves unless the chimney flue can be easily removed, in case maintenance is ever required.

Only for Suction Version:

Perform a drill hole in the ceiling or on the wall wide enough for the chimney flue tube of 150mm in diameter. Also position the electricity outlet where it can be readily accessible, even after installation is completed.



2. Drill holes as indicated on the template.
3. Insert two dowels and affix the hooks.
4. Hang the cooker hood and regulate the horizontal positioning via the regulation screws placed on the hanging holes.



Installation

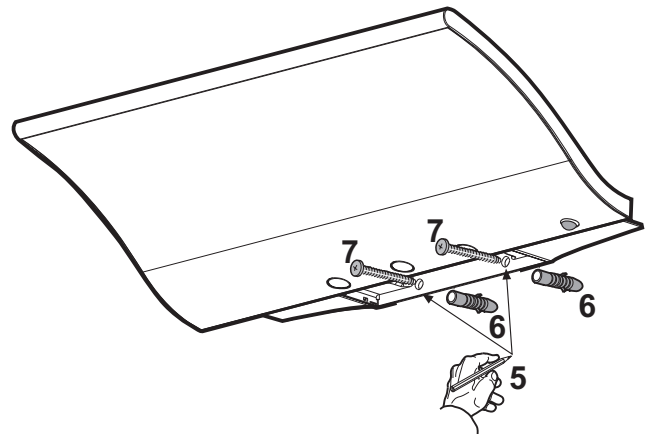
5. Remove the steel grease filter and using a pencil, mark the two holes inside the cooker hood for fastening the cooker hood to the wall, then remove the cooker hood from the hooks.
6. Perform the 2 x 8mm diameter drill holes and insert two dowels in the wall, then re-hang the cooker hood.
7. Insert two screws in the wall dowels from inside the cooker hood and lock in screws.
8. Prepare the cooker hood electrical connection keeping in mind that:
if the cooker hood is provided with a plug, then the plug must be plugged-in in an area easily accessible even after installation is complete; instead if an electrical plug is not provided with the cooker hood, then an accepted standard bipolar switch must be provided with a minimum distance of 3mm between the aperture contacts, and situated in an accessible area when the cooker hood is completely installed.
9. According to the use (see page 13) proceed as follows:

Suction Version:

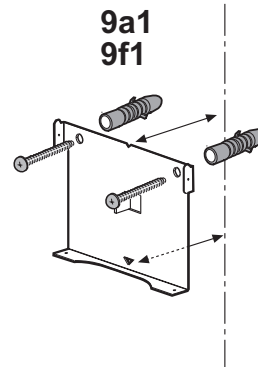
- a1. Affix the telescopic chimney flue bracket to the wall with two wall dowels and screws (use the bracket itself as a template), the index impressed on the bracket must always correspond to the line previously marked on the wall.
- a2. Affix the silencer tube to the connector positioned on the top of the cooker hood with the band supplied. The other side of the silencer tube is affixed with another band to the external tube of similar dimensions.

Recycle version:

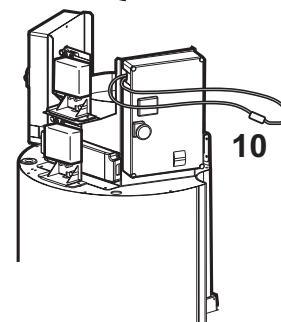
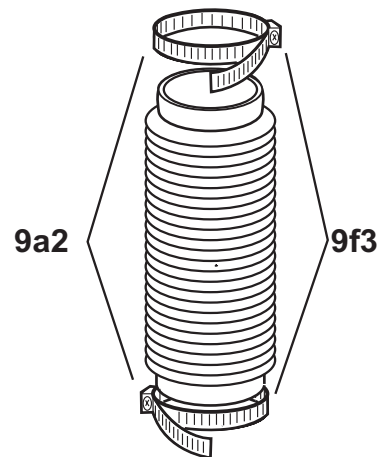
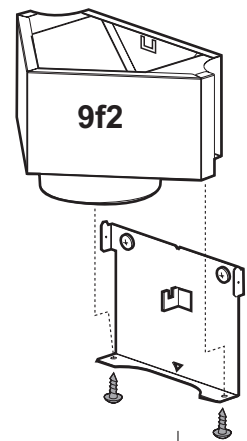
- f1. Affix the telescopic chimney flue bracket to the wall with two wall dowels and screws (use the bracket itself as a template), the index impressed on the bracket must always correspond to the line previously marked on the wall.
 - f2. Affix the silencer tube to the connector positioned on the top of the cooker hood with the band supplied. The other side of the silencer tube is affixed with another band to the connector positioned on the air deflector.
 - f3. Fasten the air deflector to the bracket with 2 screws.
10. Check that the two yellow wires, that protrude from the electrical connection box on the cooker hood are connected (the *safety light* will be operative after about 12 hours time of completed installation, in order to allow the internal battery to recharge).



Suction Version Recycle Version

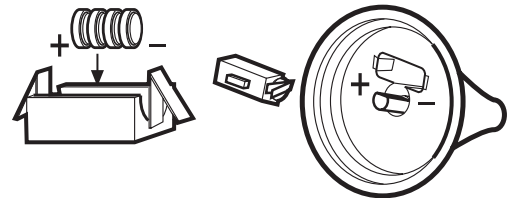
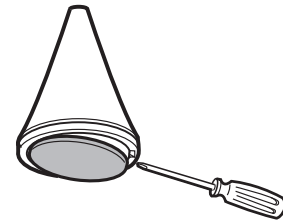
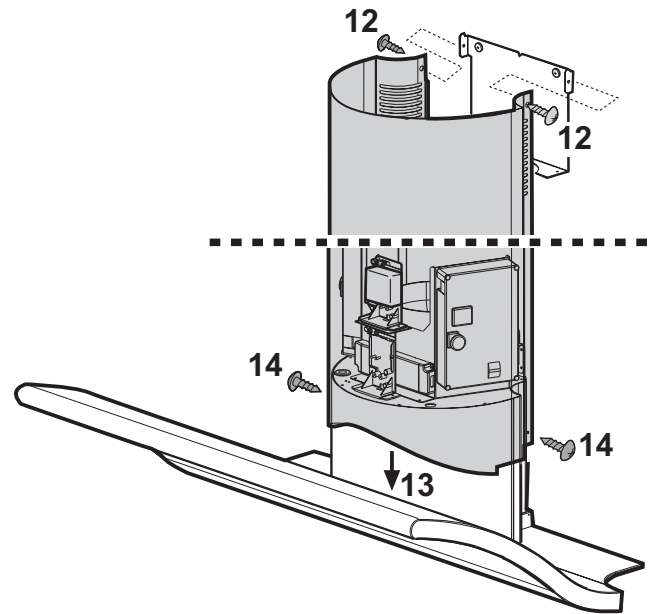


Recycle version



Installation

11. Carry out the cooker hood's electrical connection to the electrical mains. The electricity tension should correspond to that noted on the characteristics label situated inside the cooker hood.
12. Affix the telescopic chimney (the side with the grill) to the bracket with two screws (one for each side).
13. Slide the lower section of the flue until the motor area is covered, insert the flue in the housing on the cooker hood mantle.
14. Affix the telescopic chimney flue (lower side) to the cooker hood with two screws (one for each side).
15. Insert the supplied batteries inside the remote control and position it on the same work bench near the cooker hood. Follow the instructions below to insert the batteries for the remote control do :
Using a small screwdriver, raise the cover on the base of the remote control, in order to access the battery compartment.
Place the pre-positioned batteries into the battery support (see illustration) respecting the polarity indicated on the remote control base.
16. Supply electricity to the cooker hood and check the correct operation of the cooker hood.
17. Where the cooker hood has been installed in the recycle version, the odour filter must be inserted (see relative paragraph).



Use and Installation caution

- The suctioned air must not be conveyed in a conduction tube used for discharges of other fumes created by other apparatus' not powered by the electrical mains.
- Adequate ventilation should be provided in the environment when the cooker hood and other apparatus' are used in the same environment.
- Flambé cooking is prohibited beneath the cooker hood. The use of free flame cooking is damaging to the filters and may catch fire, and must be avoided at all times. Food frying should be closely watched to avoid a fire danger hazard.
- Adhere to local laws and standards for the discharging of fumes externally in relation to safety regulations.
- The internal battery that provides energy to the safety light (patented design by Elica) when necessary must be disposed of as special refuse in the appropriate collection bins.
- All responsibility for eventual damages or fires caused by incompliance to the above is declined by the company.

Cooker Hood Use

The cooker hood is supplied with diverse suction speeds (minimum, medium and maximum) plus a higher intensive selection following the maximum suction speed.

The intensive suction speed has a duration limit of 5 minutes, after which the electronic system that controls the functions resets the suction speed to medium.

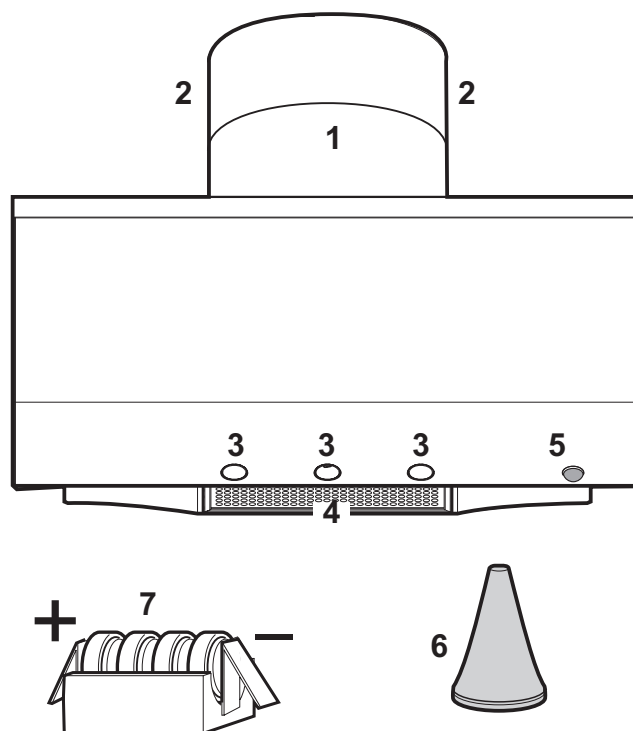
Use the minimum suction speed for instances of small quantity of fumes or vapours; in cases of larger quantities of fumes or vapours use the medium, maximum or intensive suction speed.

The lamp should be switched on to improve the visibility to the cooking area.

It is advisable to switch on the cooker hood a few minutes prior to cooking and leave it switched on for at least 5 minutes after cooking in order to ensure that all cooking vapours and gas combustion fumes are safely eliminated from the environment.

Cooker Hood Description

1. Telescopic chimney flue
2. Air exits for recycle version
3. Lighting
4. Grease filter
5. Control ball
6. Remote control
7. Batteries type ..394 of 1.5V (4 batteries supplied already mounted inside the remote control on the appropriate battery holder).



Cooker Hood Controls

The cooker hood operation may be controlled by the **remote control or the control ball**.

All changes of operational states (changing speed, light switch, etc.) are recognisable by the variation of light emitted by the control ball and a sound signal.

The control ball also serves as a luminous signal:

- **No signal:**
The cooker hood is off.
- **Green light :**
Cooker hood is switched on at speed 1 (minimum).
- **Orange light :**
Cooker hood is switched on at speed 2 (medium).
- **Red light :**
Cooker hood is switched on at speed 3 (maximum).
- **Flashing red light :**
Cooker hood is switched on at intensive speed (timed at 5 minutes).
- **Flashing green light :**
Indicates that the grease filter is saturated – carry out grease filter cleaning.
- **Orange Flashing Light signal:**
Indicates the odor filter saturation – clean or replace odorfilter
- **Flashing green – orange – red light in sequence :**
Remote control battery is depleted – replace battery.

Attention!

The control Ball flashes orange to indicate the saturation of the odor filter even when the odor filter (carbon filter) is not installed inside the cooker hood.

However perform the signal reset operation as follows:

Select the intensive speed (the control ball will turn on with a red flashing light signal), depress again and hold depressed for about 3 seconds until there is a beep sound indicating that reset has occurred.

Cooker Hood Controls

Using the control ball (patented design by Elica)

The cooker hood was designed to be remote controlled. All functions are operable via the control ball.

Switching on the cooker hood

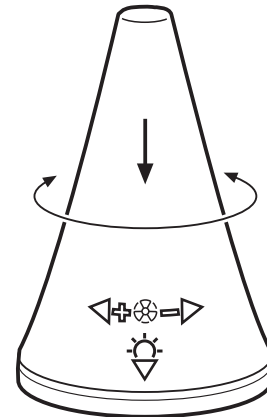
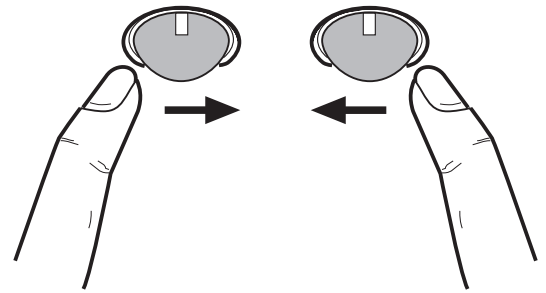
The control ball is a balance wheel switch.

Depressing the control ball towards the right repeatedly switches on the cooker hood and all the suction speed selections up to the intensive suction speed, depressing again towards the right the cooker hood switches off.

Turning on the light

Press the control ball towards the left:

once for diffused lighting,
pressing again for full lighting,
pressing again switches the light off.



Safety Light (patented design by Elica)

The cooker hood is provided with a safety light, operative after the cooker hood has been connected for about 12 hours after installation is completed. In cases where electrical power is no longer supplied to the cooker hood (such as black-out or disconnection from the mains), the cooker hood lights switch on in diffused lighting mode for about 15 minutes.

Using the Remote Control (patented design by Elica)

The remote control may operate in humid environments, but not when placed on wet surfaces.

Selecting the Suction Speed position the remote control vertically near the cook top area and rotate clockwise to increase the suction speed, and anticlockwise to decrease the suction speed.

Turning on the Light, press the remote control from the top downwards once for suffused lighting, again for full lighting, and again to turn off the light.

Warning!

If the remote control doesn't work after installation (yet the control ball works correctly), do the following:

1. Place the remote control on the work surface near the hood.
2. Disconnect the hood from the mains.
3. Reconnect the hood to the mains.

Follow this procedure whenever the remote control doesn't work for no apparent reason (e.g.: dead battery).

Remote Control Maintenance

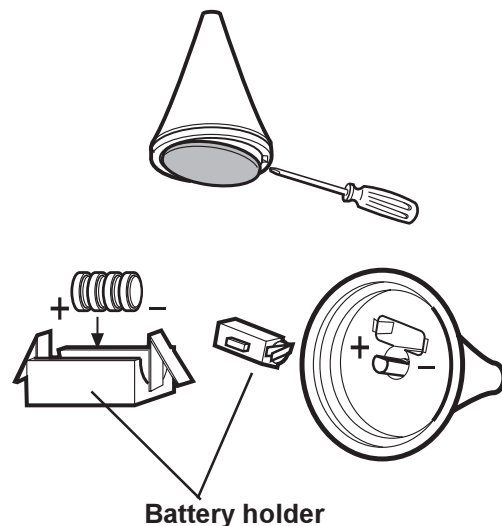
Clean the remote control using non abrasive detergents.

Follow the instructions below in order to replace the batteries **for the remote control** :

- Using a small screwdriver, raise the cover on the base of the remote control, in order to access the battery compartment.

Remove the battery holder, and replace 4 new batteries type ..394 of 1.5V.

Place the batteries in order in the battery holder (see illustration) taking care to respect the polarities indicated on the base of the upper section of the remote control.



Battery holder

Cooker Hood Maintenance

WARNING!

Disconnect the cooker hood from the electrical mains prior to carrying out any type of maintenance or cleaning.

Grease Filter

The role of the grease filter is to entrap the grease particles suspended in the air.

The grease filter has an unlimited duration and must be washed with non abrasive detergents, either handwash or wash in dishwasher short cycle at low temperature.

The grease filter coloration may change in time with the dishwasher cycle washing but this in no way affects the filtering characteristics.

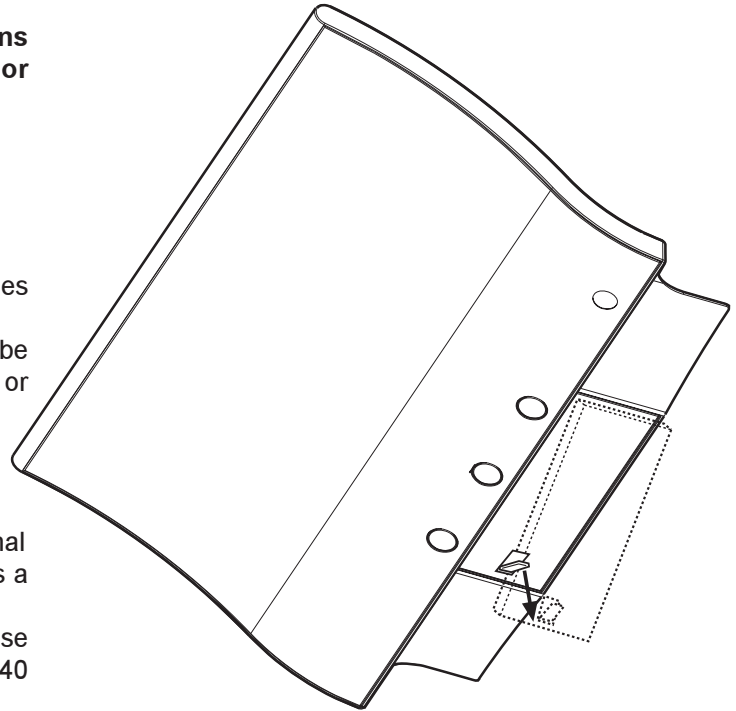
The grease filter should be washed monthly for normal cooker hood use and every time the control ball signals a green flashing light.

The green flashing light signals the operator that the grease filter is in need of cleaning, and occurs at about every 40 hours of cooker hood operation.

Removal of grease filter instructions as follows:

Pull the side handle towards the bottom and release the filter.

Allow the grease filter to dry prior to replacing in housing. After washing follow instructions in reverse in order to replace the filter.



Odour Filter

The odour filter helps to eliminate cooking odours.

The special odour filter which may be included with this cooker hood may be washed and reactivated once every 2 months in normal cooker hood use circumstances.

Odour Filter cleaning instructions:

The odour filter is recommended to be washed in the dishwasher at the highest temperature using normal dishwasher detergent. In order to avoid food particles embedding in the filter it is advisable to wash the filter on its own in the dishwasher cycle. After washing the filter must be dried in the oven at 100°C for 10 minutes in order to reactivate the filter.

The filter will maintain the capability to absorb odours for two years, after which the filter must be replaced.

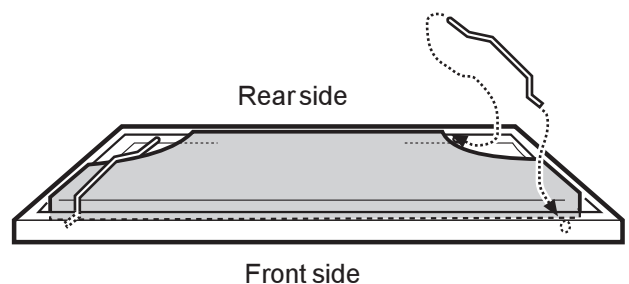
Mounting the odour filter instructions as follows:

Remove the grease filter.

Insert the odour filter as shown in figure (the fixing catches are supplied in the cooker hood accessories).

Mount the grease filter in its housing.

To dismount follow instructions in reverse.



Cooker Hood Maintenance

Reset filter saturation signal

Green or orange flashing light

Proceed as follows:

Select the intensive speed (the control ball switches on with flashing red light), depress again and hold for 3 about seconds until the beep sound indicating that reset has occurred.

Replacing the Lightbulb

Disconnect the cooker hood from the electrical mains.

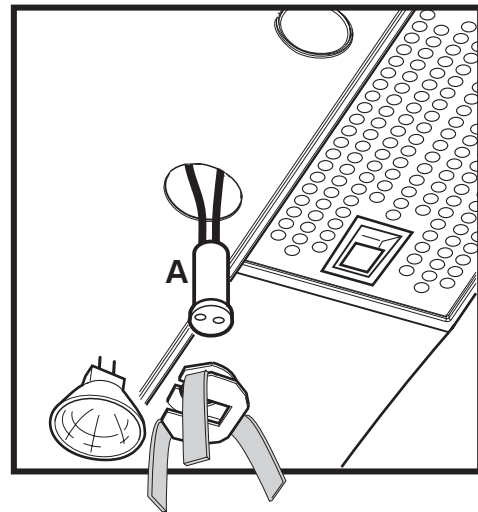
Use a small screwdriver as a lever on the borders of the lamp in order to remove the lightbulb.

Unthread the connector **A**.

Slide out the lightbulb to be replaced and replace with a new 12V 20W 30° Ø35 12V GU4 PHILIPS STANDARD LINE code 425409.

Carry out the replacement and mount the new lightbulb by following instructions in the reverse.

Reconnect the cooker hood to the electrical mains.



Cleaning

Warning! Disconnect the cooker hood from the electrical mains prior to any cleaning operations.

Using a cloth moistened with denatured alcohol or neutral liquid detergent clean the exterior and internal area of the cooker hood.

Avoid using products containing abrasives.

It is advisable to clean the satin finish stainless steel by following the grain of the satin finish.

Carry out exterior cooker hood cleaning at least once every 10 days.

Warning

Failure to adhere to cleaning instructions and replacement or cleaning of filters may cause a fire hazard. Adherence to cleaning instructions suggested above is highly recommended.