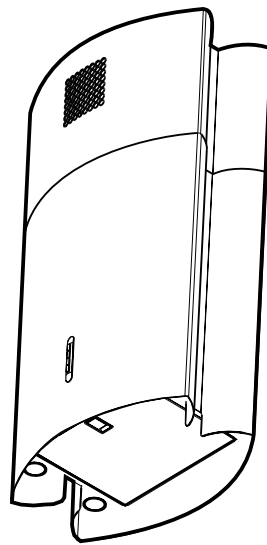
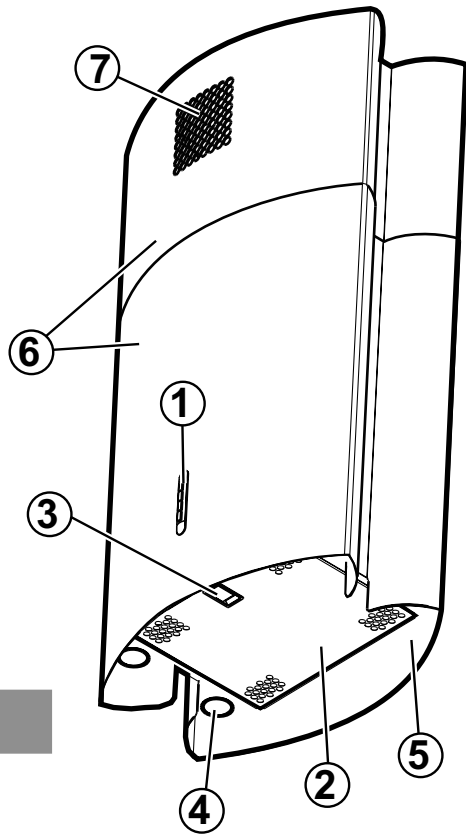


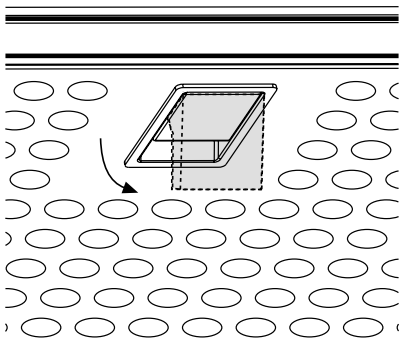
# Menhir

*by David Lewis*

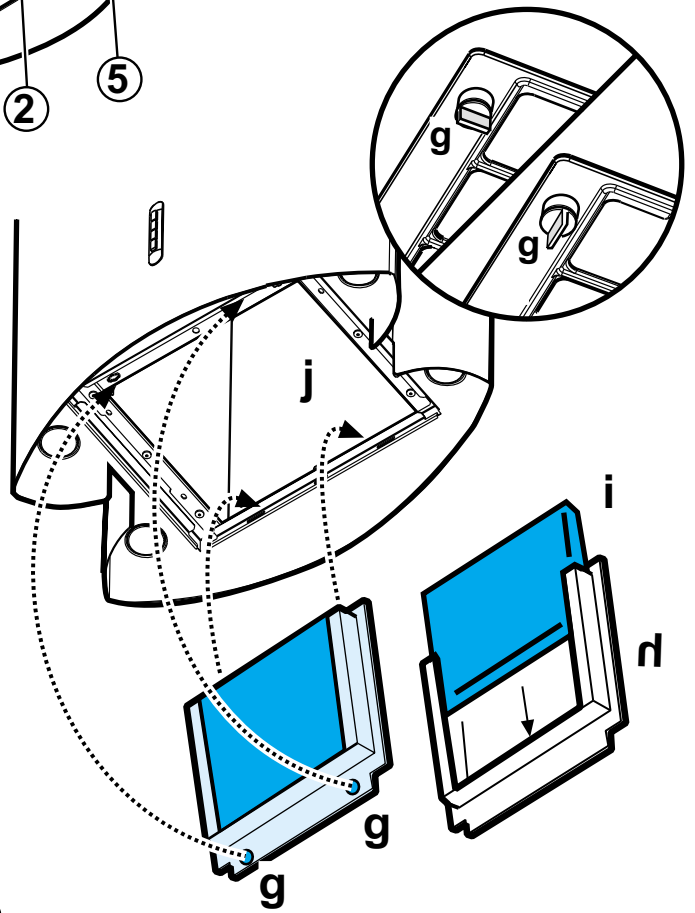




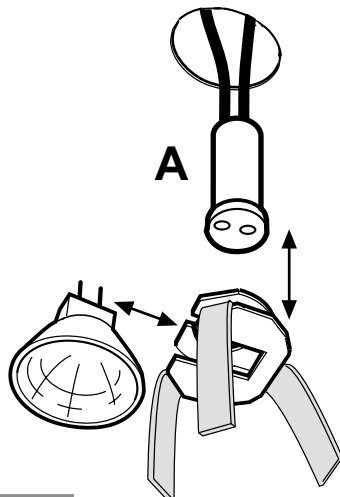
1



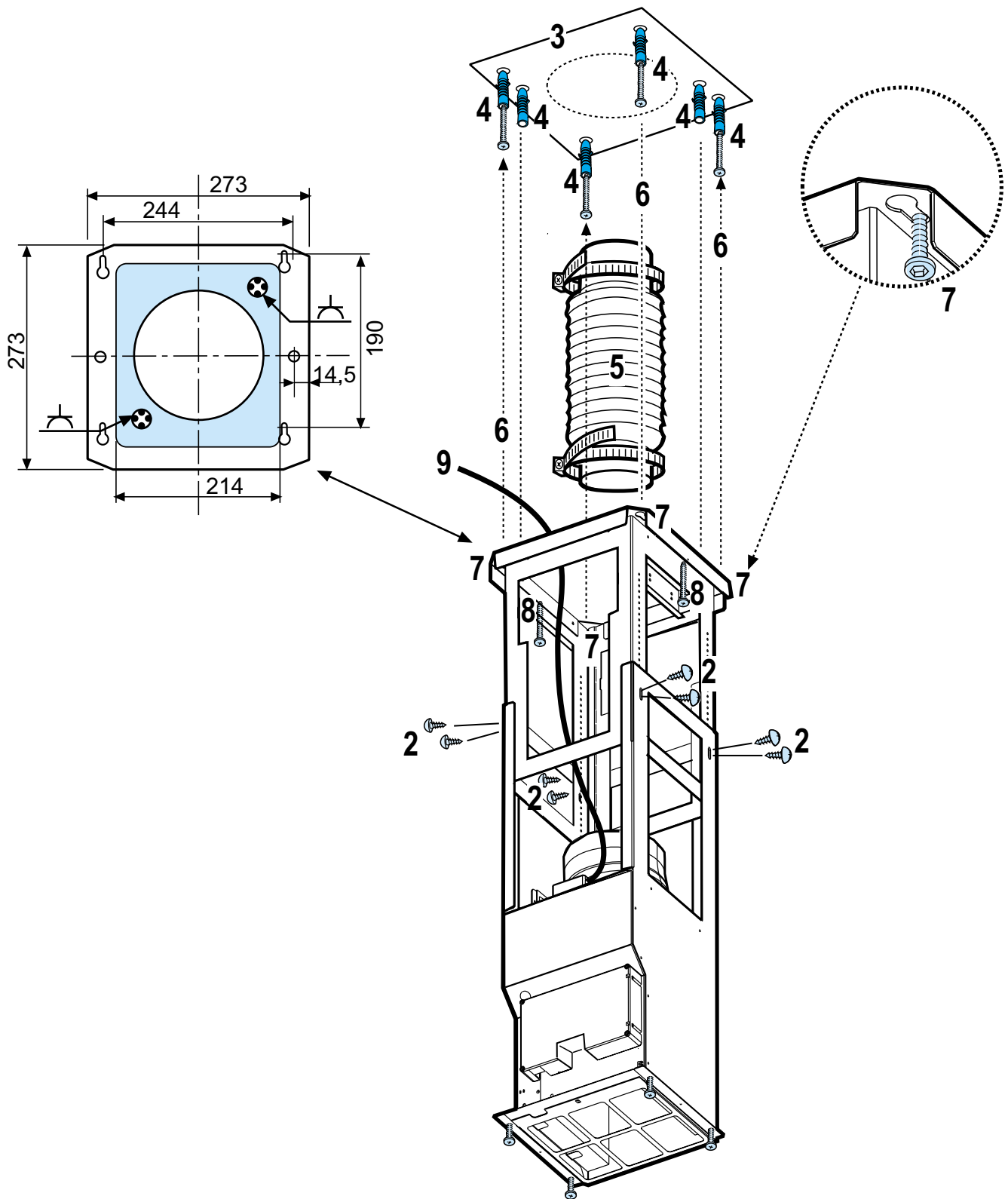
2

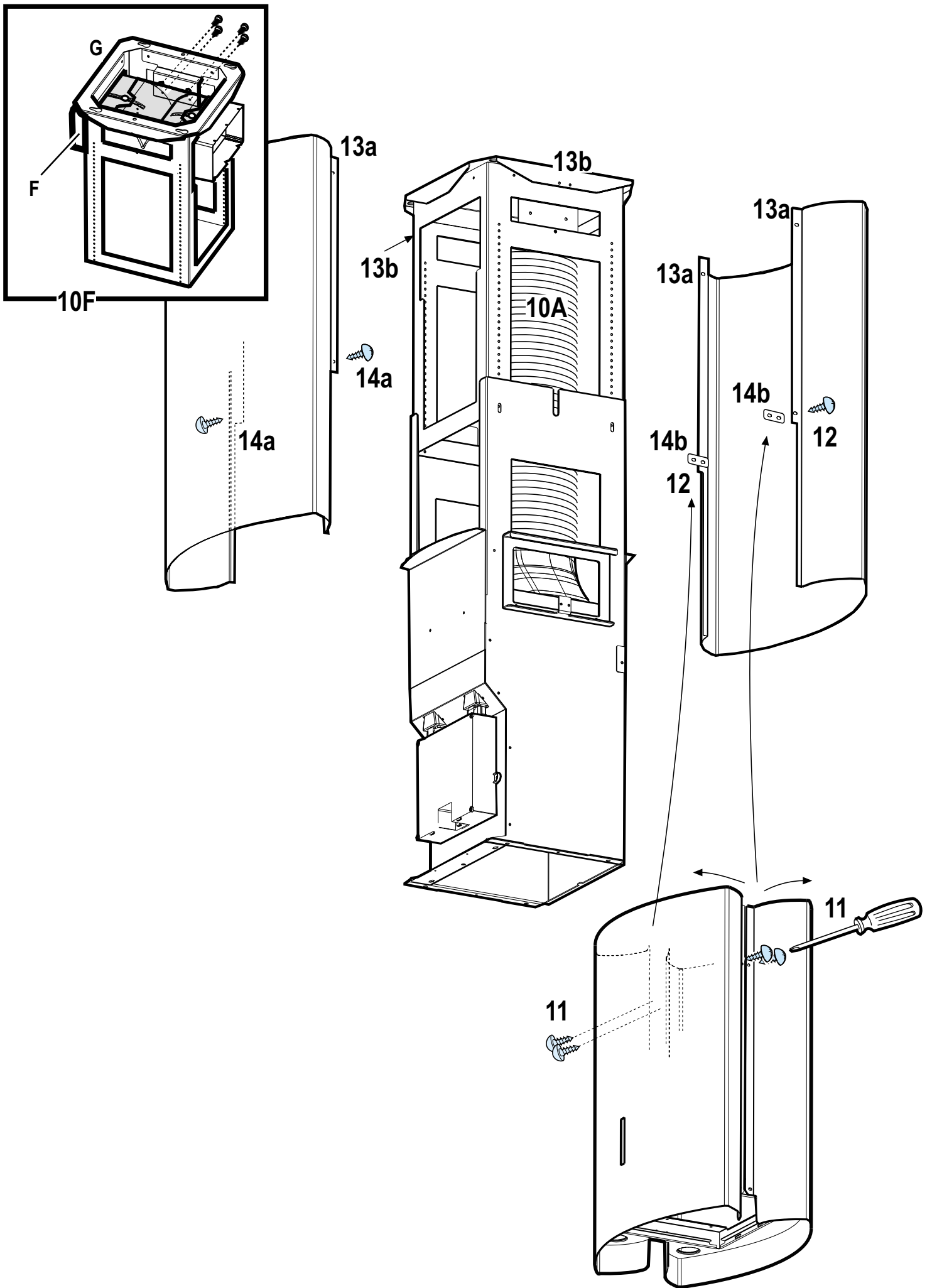


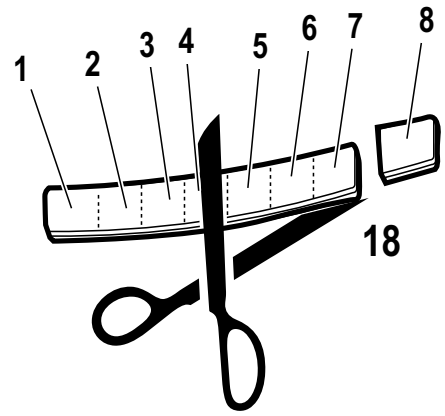
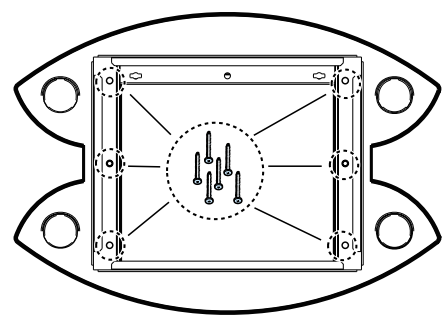
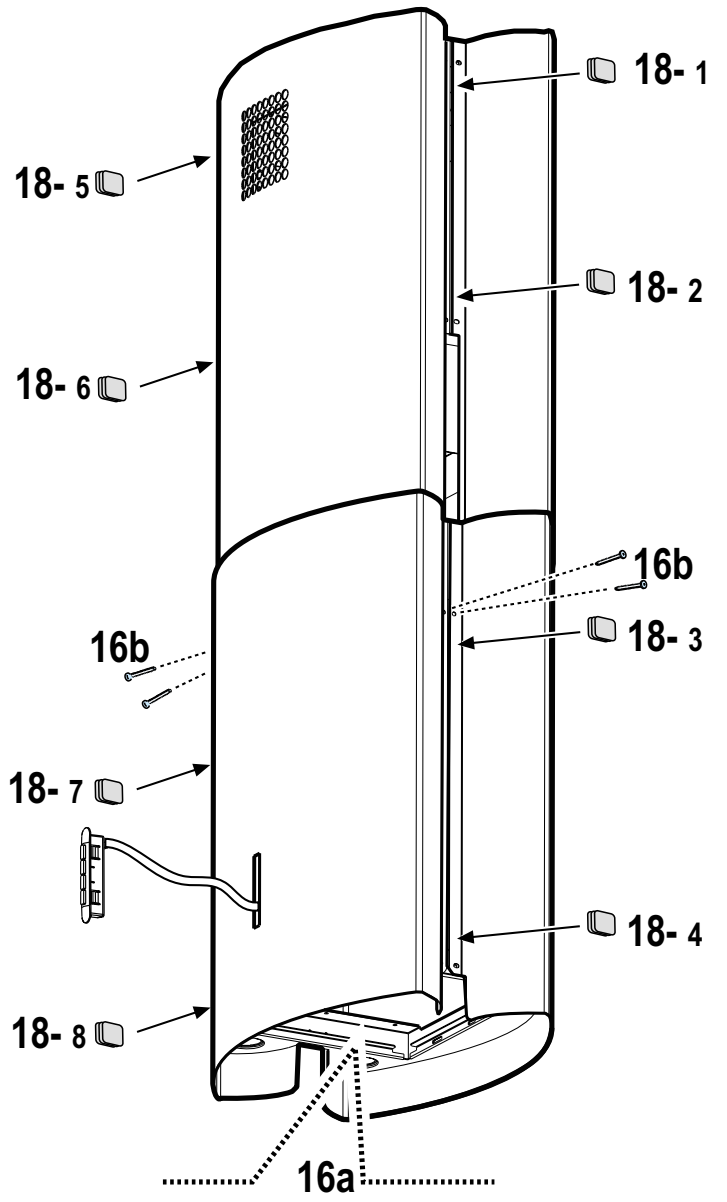
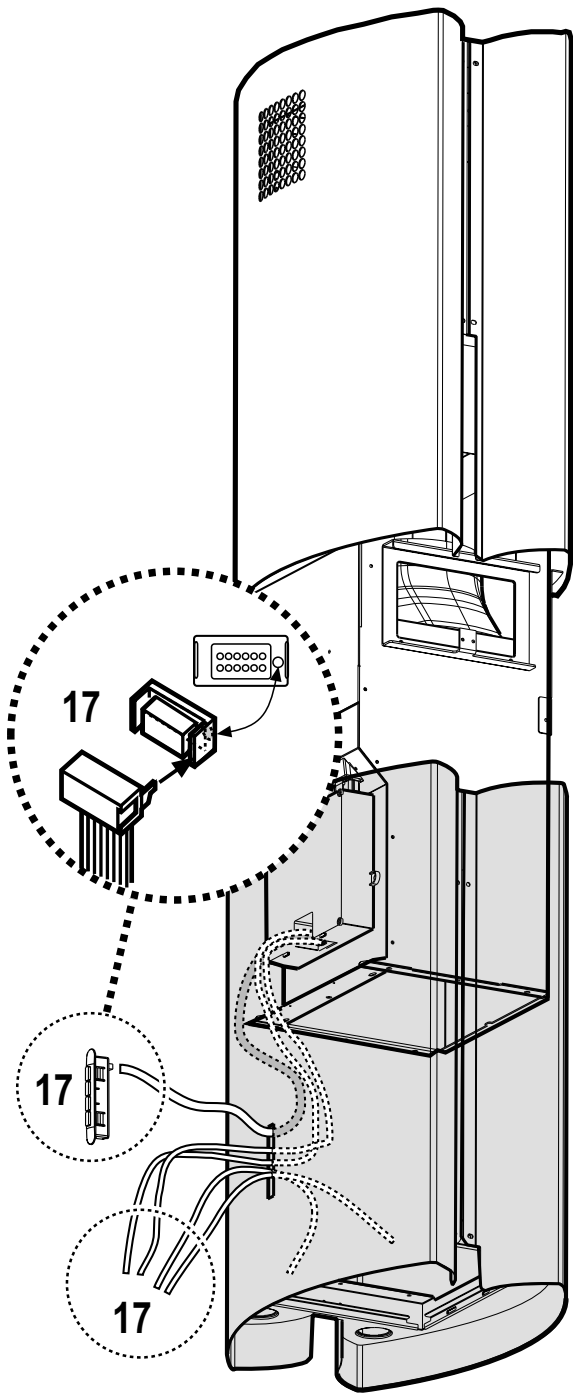
3

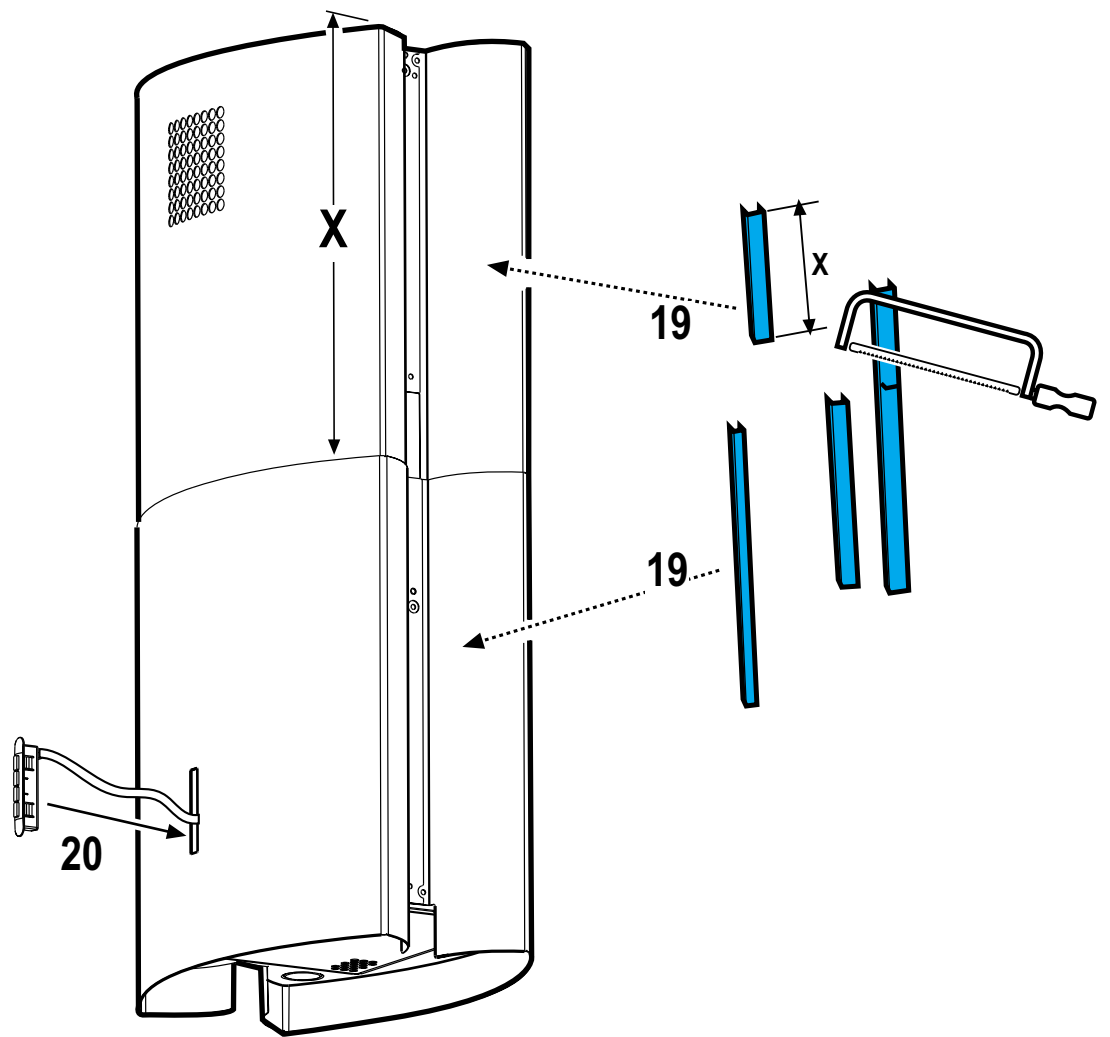


4









Consult the designs in the front pages referenced in the text by alphabet letters. **Closely follow the instructions set out in this manual.** All responsibility, for any eventual inconveniences, damages or fires caused by not complying with the instructions in this manual, is declined.

The cooker hood must be placed at a minimum distance of 50 cm from the cooking plane for electric cookers and 75cm for gas or mixed cookers.

Do not tile, grout or silicone this appliance to the wall. Surface mounting only.

The hood is equipped with a top air outlet **B** for discharge of fumes to the outside (**Ducting version** – exhaust pipe and pipe fixing clamps not provided).

Should it not be possible to discharge cooking fumes and vapour to the outside, the hood can be used in the **filter version**, fitting an activated carbon filter and the deflector **F**

on the support (bracket) **G**, fumes and vapours are recycled through the top grille **H** by means of an exhaust pipe connected to the top air outlet **B** and the connection ring mounted on the deflector **F** (exhaust pipe and pipe fixing clamps not provided).

The models with no suction motor only operate in ducting mode, and must be connected to an external suction device (not supplied).

Expansion wall plugs are provided to secure the hood to most types of walls/ceilings. However, a qualified technician must verify suitability of the materials in accordance with the type of wall/ceiling. The wall/ceiling must be strong enough to take the weight of the hood.

**Do not tile, grout or silicone this appliance to the wall. Surface mounting only.**

## Installation - Fig. 5-6-7-8

### Preliminary information for installing the hood

During electrical connection ensure the power supply is disconnected at the domestic main switch.

1. Adjust extension of the hood support structure, as the final height of the hood depends on this, and remember that with installation completed the hood must be at least 50 cm above the cook-top for electric cookers and 70 cm for gas or mixed cookers.
2. Fix the two sections of the structure using 8 screws.
3. Place the ceiling hole diagram directly above the cook-top (the center of the diagram must match the center of the cook-top and the edges must be parallel to the sides of the cook-top – the side of the diagram with the wording FRONT corresponds to the control panel side). Prepare the electrical connection.
4. Drill as shown (6 holes for 6 wall plugs – 4 plugs for fixture), screw the outer screws leaving a space of about 1 cm. between the screw head and the ceiling.
5. Fit an exhaust pipe inside the truss and connect it to the motor compartment connection ring (exhaust pipe and fixing brackets are not supplied).
6. Hook the frame onto the 4 screws (see step 4). **CAUTION!** The side of the truss with connection box corresponds to the side of the control panel with hood assembled.
7. Tighten the 4 screws.
8. Insert and tighten another 2 screws in the remaining free holes for secure fixing.
9. Carry out the electrical connection to the mains power supply, only turn on the power supply upon completion of assembly.

10. For extractor versions (10A), connect the other end of the exhaust pipe to the flue.

For filter versions (10F), fit deflector F to the truss and secure it to the bracket supplied using 4 screws, then connect the exhaust pipe to the connection ring located on the deflector.

11. Remove the fixing tabs placed on the lower part of the chimney flue, set aside the tabs and screws.
12. Apply the tabs to the inside of the upper section of the chimney flue using one screw for each tab.
13. Fix the upper sections of the telescopic chimney flue (13a) to the pylon (13b).

The upper sections are recognizable by the air exit perforations for use in the filter version.

14. Block the sections with 2 screws (14a) to be inserted on the tabs already mounted on one section of the chimney flue (14b – see also the mounting sequence 11 -12).

15. Remove the grease filter and slide in the lower section of the cooker hood (during this operation slightly widen the two sections to ease the insertion).

The front side of the cooker hood is recognizable by the slit opening provided for the control panel.

**Attention!** During this operation ensure to extract the control panel plate and the electrical connection cables for the lamps through the slit opening.

16. Fix the lower section of the cooker hood to the pylon from the bottom using 6 screws (16a), and on the sides using 4 screws (16b).

17. Introduce the cables **CONNECTED** to the lamps and connect the control panel to the plate.

**ATTENTION!**

**THE PLATE CABLE CONNECTOR IS PROVIDED WITH A SIDE PIN THAT MUST COINCIDE WITH THE PERFORATION FOUND ON THE SIDE OF THE CONNECTOR LOCATED ON THE BACK OF THE CONTROL PANEL.**

18. The double sided adhesive tape supplied should be cut into 8 segments, then remove the protection covering from both sides and apply the segments close to the screws that fix the chimney flues to the structure (see illustration for correct positioning).

19. Apply the 4 masks (supplied) to cover the fixing points of the lower sections of the chimney flue (**ATTENTION THE MASKS FOR THE LOWER CHIMNEY FLUE ARE RECOGNIZABLE BY THEIR NARROWER WIDTH**).

The wider masks are to be used for the upper chimney flue, and should be cut to size.

20. Hook the control panel to the opening slit so that the **ON/OFF light switch** is facing downwards.

Remount the grease filter, turn on the power supply via the central electrical panel and check that the cooker hood functions correctly.

**Only for products supplied in stainless steel and aluminum:**

Remove the protective covering taking care not to damage the metal and finish (glazing).

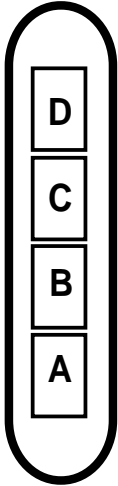
## Electrical connection

The electrical tension must correspond to the tension noted on the label placed inside the cooker hood. Connect the electrical plug, where provided, to the an easily accessible outlet in conformity with local standards in force.

Where an electrical plug is not provided (for direct connection to electrical network) place a standards approved bipolar switch with an aperture distance of not less than 3mm (accessible) from the contacts.

**Description of the hood - Fig. 1**

- 1 Control panel
- 2 Grease filter
- 3 Grease filter release handle
- 4 Halogen lamp
- 5 Vapour screen
- 6 Telescopic chimney
- 7 Air outlet (used for filter version only)

**Operation****Description of control panel and hood operation**

- A. on/off light switch  
 B. on/off aspiration switch and minimum power selection  
 B+C. medium power selection aspiration switch  
 B+D. maximum power selection aspiration switch

Use the high suction speed in cases of concentrated kitchen vapours. It is recommended that the cooker hood suction is switched on for 5 minutes prior to cooking and to leave in operation during cooking and for another 15 minutes approximately after terminating cooking.

**Maintenance**

Prior to any maintenance operation ensure that the cooker hood is disconnected from the power supply.

**Cleaning**

The cooker hood should be cleaned regularly internally and externally. For cleaning use a cloth moistened with denatured alcohol or neutral liquid detergents. Avoid abrasive detergents.

**Warning:**

Failure to carry out the basic standards of the cleaning of the cooker hood and replacement of the filters may cause fire risks. Therefore we recommend observing these instructions.

**Grease filter**

This must be cleaned once a month using non aggressive detergents, either by hand or in the dish-washer, which must be set to a low temperature and a short cycle.

When washed in a dish-washer, the grease filter may discolour slightly, but this does not affect its filtering capacity.

To remove the grease filter, pull the spring release handle (f) - (Fig. 2).

**Charcoal filter (filter version only)**

It absorbs unpleasant odours caused by cooking.

The charcoal filter can be washed once every two months using hot water and a suitable detergent, or in a dish-washer at 65°C (if the dish-washer is used, select the full cycle function and leave dishes out).

Eliminate excess water without damaging the filter, then remove the mattress located inside the plastic frame and put it in the oven for 10 minutes at 100° C to dry completely. Replace the mattress every 3 years and when the cloth is damaged.

Remove the filter holder frame by turning the knobs (g) 90° that affix the chimney to the cooker hood (Fig. 3).

Insert the pad (i) of activated carbon into the frame (h) and fit the whole back into its housing (j).

**Replacing lamps - Fig. 4**

Firstly check that the lamps are well cooled prior to replacing them. Use a small screwdriver as a lever on the borders of the lamp in order to remove the lightbulb.

Unthread the connector A.

Slide out the lightbulb to be replaced and replace with a new 12V 20W 30° Ø35 12V GU4 PHILIPS STANDARD LINE code 425409.

Carry out the replacement and mount the new lightbulb by following instructions in the reverse.

**If the lights do not work, make sure that the lamps are fitted properly into their housings before you call for technical assistance.**

**Caution**

This appliance is designed to be operated by adults. Children should not be allowed to tamper with the controls or play with the appliance. Do not use the cooker hood where the grill is not correctly fixed! The suctioned air must not be conveyed in the same channel used for fumes discharged by appliances powered by other than electricity. The environment must always be adequately aerated when the cooker hood and other appliances powered by other than electricity are used at the same time. Flambé cooking with a cooker hood is prohibited. The use of a free flame is damaging to the filters and may cause fire accidents, therefore free flame cooking must be avoided. Frying of foods must be kept under close control in order to avoid overheated oil catching fire. Carry out fumes discharging in accordance with the regulations in force by local laws for safety and technical restrictions.