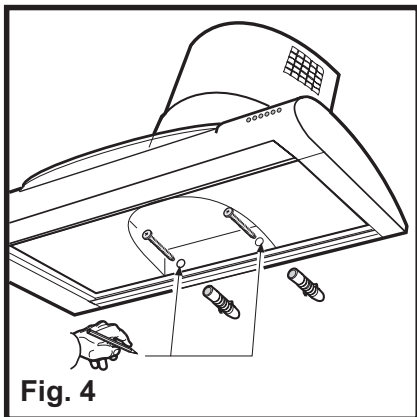
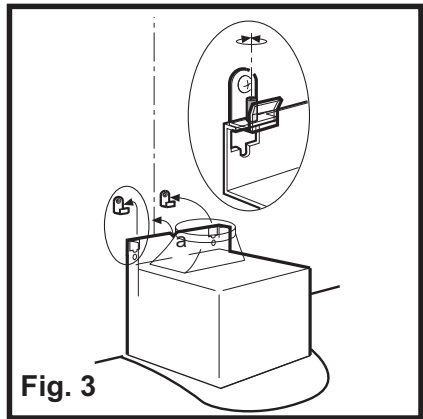
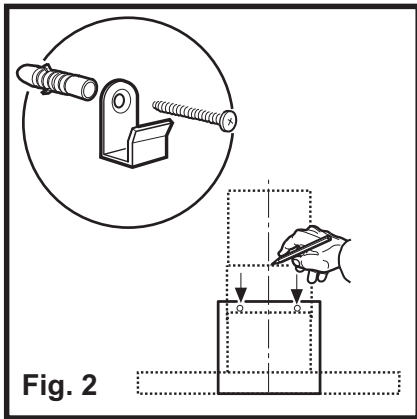
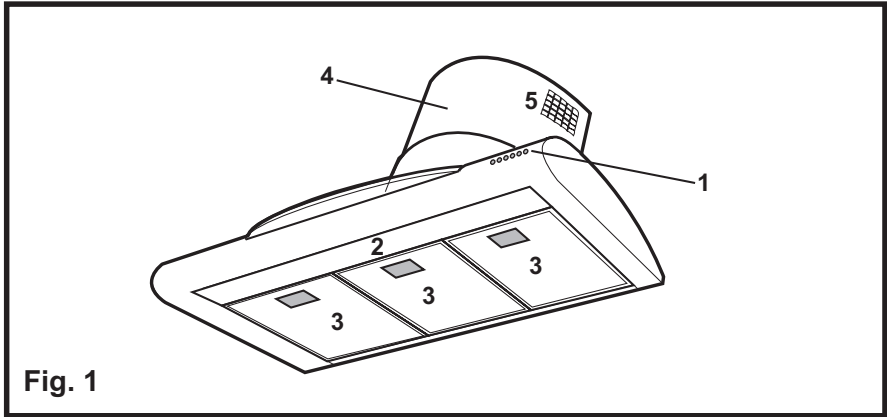


Instruction on Mounting and Use



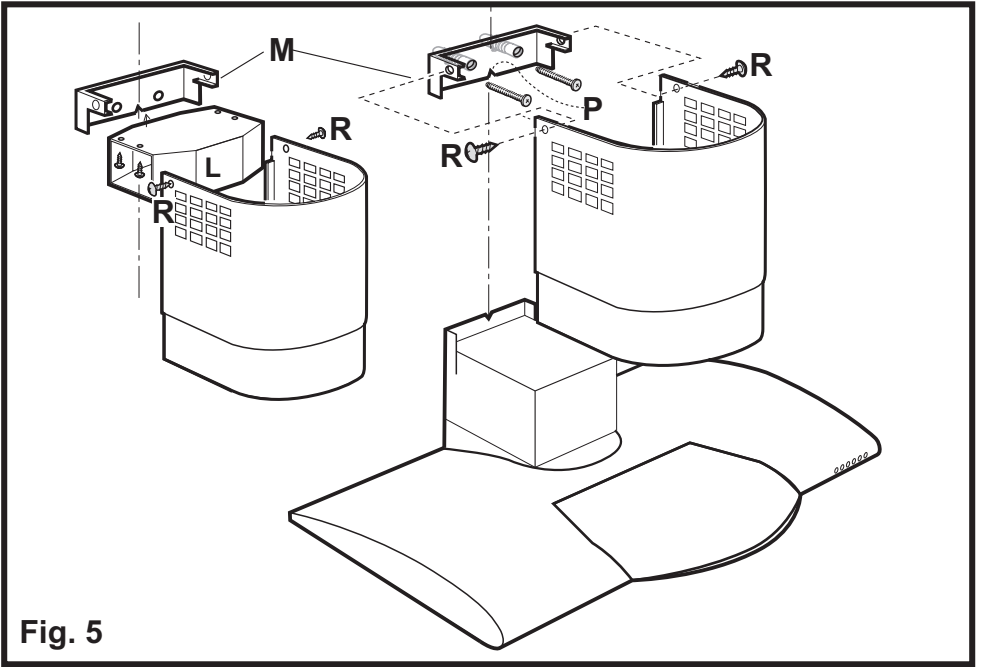


Fig. 5

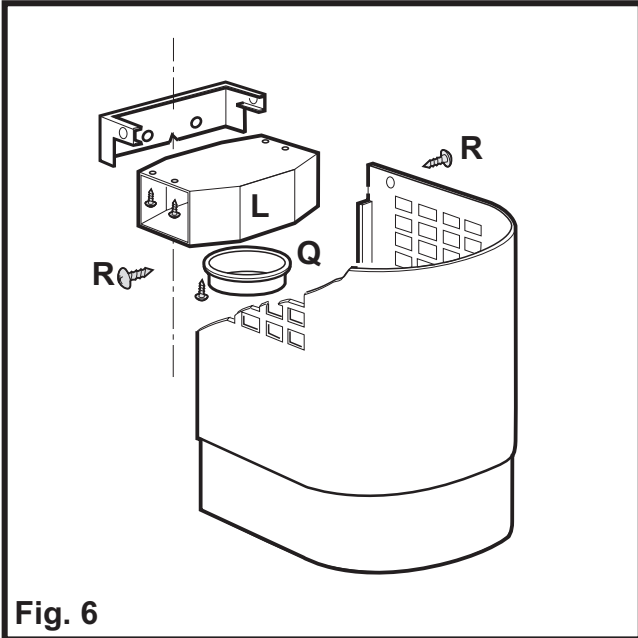
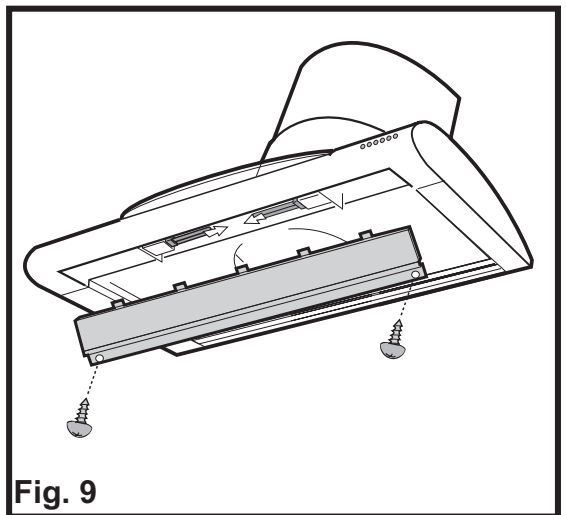
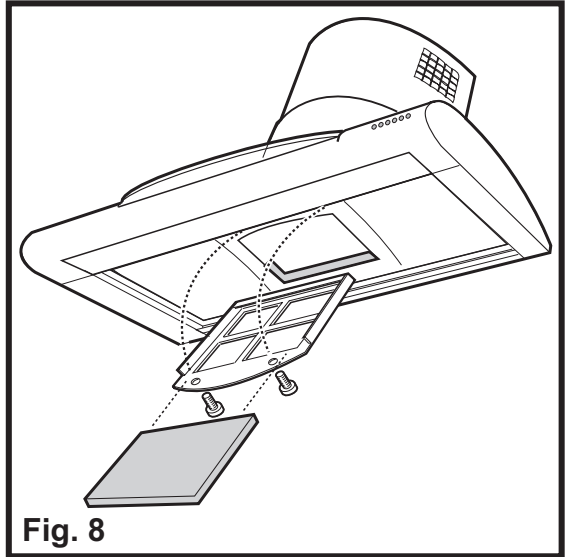
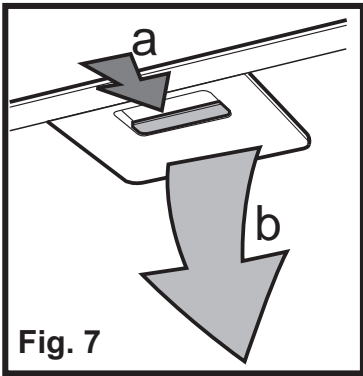


Fig. 6



View of the hood - Fig. 1

1. Control panel
2. Work-light
3. Grease filters
4. Telescopic chimney
5. Outlet (Only for Filter version)

Use: Two systems are available

Exhaust mode

Vapours are extracted outside through an exhausting pipe that is affixed to the connection ring above the hood.

Diameter of the exhausting pipe must be equal to that of the connection ring.

In the horizontal runs the duct must be slightly slanted (about 10°) and directed upwards to vent the air easily from the room to the outside.

Attention!

If the hood is supplied with carbon filter, then it must be removed.

Filter version

The air is filtered through a carbon filter (for its installation see paragraph "Carbon filter") and recirculated into the room through the grating on the chimney.

Attention!

If the hood is not supplied with carbon filter, then it must be ordered and mounted.

This version is used when there is no exhaust duct for venting outdoors or when it is impossible to install one.

Installation

When installed, the distance between hood and burners must be not less than 65 cm. above electric burners or 75 cm. above gas or mixed-fuel burners.

Electric connection

Before completing any connection, make sure the house voltage corresponds with the voltage indicated on the label affixed inside the hood. It is advisable to call a qualified technician to make the electrical connection.

Appliance fitted with plug.

Connect it to a socket which conforms with current regulations.

If you intend to connect it directly to the electric mains, remove the plug and fit an approved bipolar switch with a minimum contact opening of no less than 3mm.

If the plug is not accessible once it has been inserted in the socket, it will however be necessary to fit an approved bipolar switch with a minimum contact opening of no less than 3mm.

Appliance without plug

Fit an approved plug or an approved bipolar switch with a minimum contact opening of not less than 3mm.

The manufacturers are not liable for any problems caused by the user's failure to observe the above instructions.

Mounting on the wall

1. Rest the template correctly against the wall. The lower corner of the template corresponds to the lower corner of the extractor hood. **Fig. 2.**
2. A cross is marked on the template to indicate the centre. Mark this point on the wall. **Fig. 2.**
3. Drill two holes (Ø8 mm) in the wall at the points indicated, insert the stops (Ø8 mm) and screw in the hooks provided. **Fig. 2.**
4. Hang the hood and adjust its position using the screws on the hooks. **Fig. 3.**
5. The reference point "a" marked on the body of the extractor hood must coincide with the line you have drawn on the wall. **Fig. 3.**
6. Once the extractor hood has been correctly aligned, remove the grease filter.
7. From inside the hood, mark the final points at which the hood has to be fixed to the wall. **Fig. 4.**
4. (to reach these points it will be necessary to remove activated carbon filter frame until the filter itself is replaced - see **Fig. 9**).
8. Remove the hood.
9. Drill 2 holes (Ø8 mm) and insert the plugs (Ø8 mm). **Fig. 4.**
10. Hang the extractor hood up again.
11. Fix the hood into its final position using 2 screws (Ø5x45 mm). **Fig. 4.**
12. Remove the telescopic chimney support **M** by unscrewing the side screws **R** (one on each side - these screws must be kept). **Fig. 5.**
13. Remove the air pipe **L** from the telescopic chimney support **M**; to do this, unscrew the

four screws (Ø 2,9 x 9,5 mm) fixing the air pipe to the support (these screws must be kept).

Fig. 5.

14. Fit the telescopic chimney support to the wall, at a point close to the ceiling. The telescopic chimney support has a reference mark **P**, which must coincide with the line that you have already drawn on the wall. **Fig. 5.**
15. Using a pencil, mark the two holes required to fix the support, and drill the holes (Ø 8 mm). **Fig. 5.**
16. Insert two plugs and fix the telescopic chimney support **M** using 2 screws size (5x45 mm). **Fig. 5.**
17. During installation the plug must not be connected to the power supply.
18. Select the hood operating mode

Versione aspirante

Fix the 150 mm diameter ABS pipe to the hood outlet and ensure that the other end discharges into the open air.

Exhaust mode:

If the connector ring has not yet been installed, it must be fitted at this point (**Q** in **Fig. 6**, bayonet connector). Turn it in a clockwise direction and fix it to the air pipe **L** using a screw. Insert the air pipe into the telescopic chimney support and fix it with four screws (Ø 2,9 x 9,5 mm). **Fig. 6.**

Fix the 150 mm diameter ABS pipe to the hood outlet, and connect it to the air pipe connector ring.

Filter version:

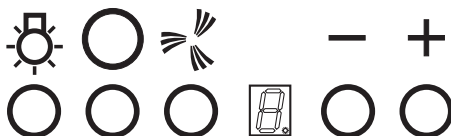
19. The hood can now be connected to the power supply.
20. If a gas non-return valve has been installed or is required, ensure that it opens and closes properly.
21. Fix the top part of the telescopic outlet pipe to the relative support, using the two 3 mm dia x 9 mm screws **R**. **Fig. 5/6.**
22. Slide the bottom part of the telescopic outlet pipe downward until it rests in its housing on the top of the hood.
23. Replace the grease filters.

Functions

- The hood is provided with a motor with several speeds. For the best performance, we recommend using the low speeds in normal conditions and the high speeds in particular cases of strong odour and vapour concentration.
- We recommend starting up the hood a few minutes before cooking and keeping it running until all the odours have been eliminated.

Descriptions and functions of the control panel

- The control panel is located on the front of the hood.





= Lighting, on/off.



= Fan off



= Fast speed switch (P+ the led on the bottom right side of the display flashes), This speed should be used when the concentration of cooking fumes or odours is particularly strong (for example when frying, cooking fish etc.). The fast speed will run for about 5 minutes and then return to the speed previously set automatically (1, 2 or 3), or switch off if no speed was selected. To turn off the fast speed, before the end of the 5 minutes, press button  and .





= Display showing fan speed (1-3-P), change grease filters (grease filter saturation indicator - F) and change activated carbon filters (carbon filter saturation indicator - C).

A lighted Led on the right bottom side indicates the hood is in stand-by

Warning!

The active carbon filter saturation function is not activated.

In order to activate the carbon filter saturation indicator, press buttons  and  simultaneously for 3 seconds. Initially, only letter F will be displayed, then after the 3 seconds have passed, letter C will be displayed as well, indicating that the carbon filter saturation control system is active.

To switch off the system, re-press the same two buttons: letter C appear on display and after 3 seconds letter it disappear and the device will be switched off.




= Decrease fan speed button for reducing speed of motor from 3 down to speed 1.



= Increase fan speed button for increasing speed of motor from 1 to 3.

If the hood fails to operate correctly, briefly disconnect it from the mains power supply for almost 5 sec. by pulling out the plug. Then plug it in again and try once more before contacting the Technical Assistance Service.

Always press the fan off button  before disconnecting the hood from the mains supply.

Warning!

- This appliance is designed to be operated by adults. Children should not be allowed to tamper with the controls or play with the appliance.
- The hood cannot be connected to flues of other appliances that run on energy sources other than electricity.
- When the hood is used at the same time of other appliances that run on energy sources other than electricity, provision must be made for an adequate supply of air.
- No food must be cooked flambé underneath the hood.
The use of an unprotected flame is dangerous for the filters and could cause fires. Therefore, never use an open flame under the hood. When frying foods, never leave the pan alone because the cooking oil could flare up.
- Please, keep to the provisions of official

directives regarding the question of fume discharge.

- The manufacturers refuse to accept any responsibility for damage to the hood or its catching on fire because of failure to observe the above instructions.

Maintenance

Before performing any maintenance operation, isolate the hood from the electrical supply by switching off at the connector and removing the connector fuse.

Or if the appliance has been connected through a plug and socket, then the plug must be removed from the socket.

Grease Filter (1 of 2 pieces)



It's function is to retain the grease particles. The grease filter has an unlimited life span and must be washed by hand or in the dishwasher (65°) with suitable detergents.

When washed in the dishwasher the grease filter may discolour but the filtration characteristics will not be effected.

The grease filter must be washed at least once a month or each time the letter F or alternatively the selected velocity appears. To disassemble the grease filter use the appropriate handles, first pull the handle back (a) and then down (b) Fig. 7.

Leave to dry without damaging the grease filter before re-assembling.

After having washed the grease filter reverse the steps used to disassemble the grease filter in order to reassemble.

Once the grease filters have been set in place press button  and  simultaneously for about three seconds until the letter F shown on display disappears.

Carbon Filter

The carbon filter extracts the odours present while cooking into the air flute. It must be mounted on the inside of the cooker hood.

Under normal use the carbon filter must be washed every two months, or each time the display flashes the letter C, by hand in a basin or in the dishwasher at 65°C

When washing it in the dishwasher it must be washed without any dishes in it using suitable



detergent.

Before mounting first remove the carbon filter and gently wash with a sponge to remove the excess water and dry in the oven at a constant temperature of maximum 100°C for 10 minutes. The carbon filter must be changed every 2 years

1. Disconnect the cooker from the electrical point.
2. Remove the grease filter (Fig.7)
3. Unscrew the screws that hold the frame which supports the cooker (Fig 8.) and remove the carbon filter (in the case of cleaning or substituting) insert the carbon filter (in the case of first use)
4. To perform, or request, for maintenance.

5. Replace the supports of the carbon filter with the two screws of the

6. Remount the grease filter

Once you have performed the maintenance operation, press the buttons  and  simultaneously for 3 seconds until the Letter C flashes on the display.

If this is the first time a new carbon filter is being inserted, once the grease filters have been inserted check that the saturation indicator for the carbon filter is active. (See paragraph "Functions - Descriptions and functions of the control panel.")

Cleaning

To clean the outside of the hood use a cloth moistened with denatured alcohol or neutral liquid detergents. Never use products containing abrasive.

Wipe brushed stainless steel in the same direction as the brushing to avoid scratching.

Clean the external surface of the cooker hood almost once every 10 days.

Attention

Failure to observe the rules for cleaning the appliance and changing and cleaning the filters may cause fires.

Therefore, we recommend observing these instructions.

Replacing the light bulbs - Fig 9

1. Unplug from the power supply.
2. Remove the oil filter.
3. Remove the screws that protect the light bulbs.
4. Remove the damaged light bulb and replace with the same type max. 11 watts (Light bulb PL)
5. Replace and affix the light bulb cover.
6. Replace grease filter
7. If the light does not function, before calling technical assistance, check that the light bulb has been fitted correctly.