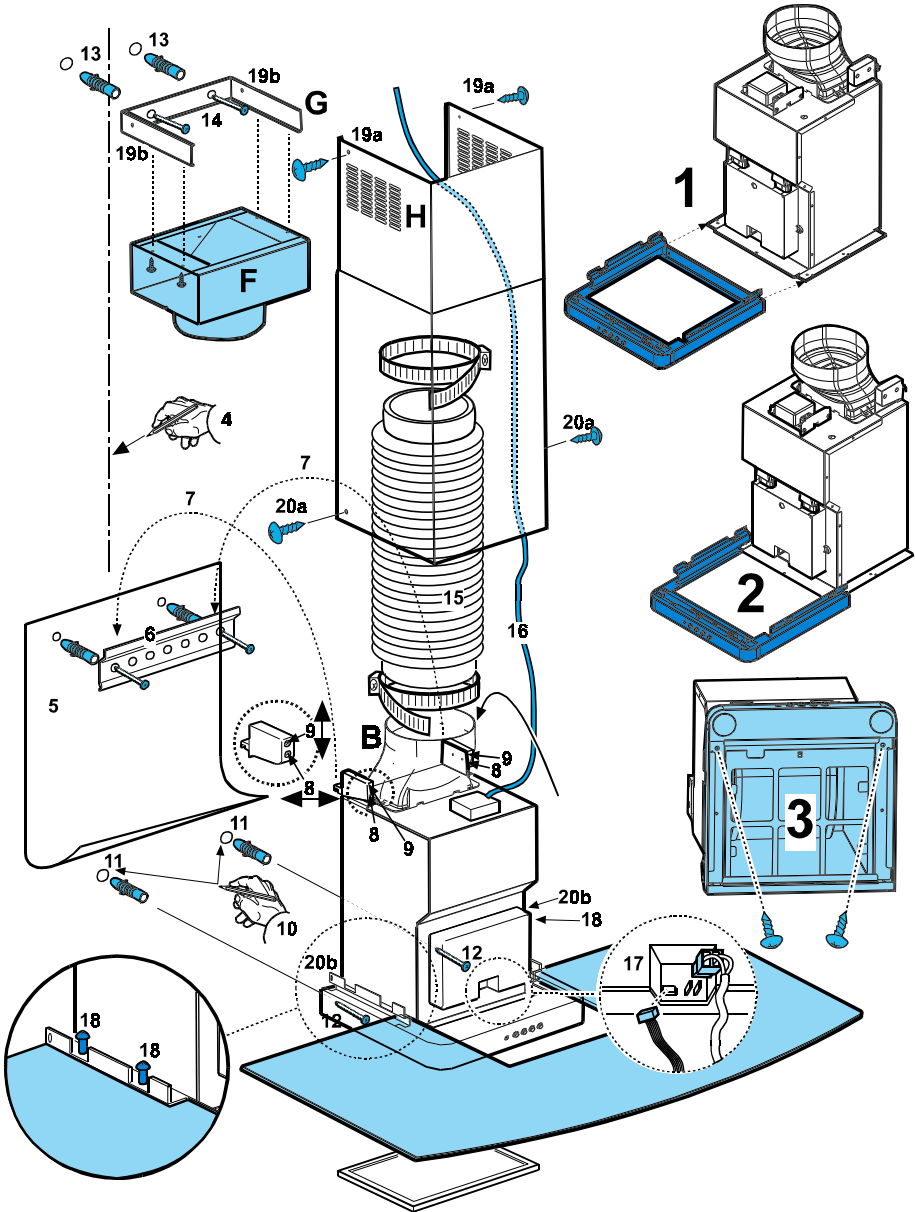


- Ⓓ Montage- und Gebrauchsanweisung
- Ⓖ Instruction on mounting and use
- Ⓕ Prescriptions de montage et mode d'emploi
- Ⓓ Montagevoorschriften en gebruiksaanwijzing
- Ⓘ Istruzioni di montaggio e d'uso
- Ⓔ Montaje y modo de empleo

Installierung (Umluftversion) - Sich an die Zifferfolge halten 1 - 2 - 3.....
Installation (filtering version) - Follow the numerical sequence 1 - 2 - 3.....
Installation (version recyclage)- Suivre la sequence à numeros 1 - 2 - 3.....
Installatie (filterversie) - Seguire la sequenza numerica 1 - 2 - 3.....
Installazione (versione filtrante) - Seguire la sequenza numerica 1 - 2 - 3.....
Instalación (versión filtrante)- Seguir la secuencia numérica 1 - 2 - 3.....



Installierung (Abluftversion)

Sich an die Ziffernfolge halten 1 - 2 - 3.....

Installation (exhausting version)

Follow the numerical sequence 1 - 2 - 3.....

Installation (évacuation extérieure)

Suivre la sequence à numeros 1 - 2 - 3.....

Installatie (zuigversie)

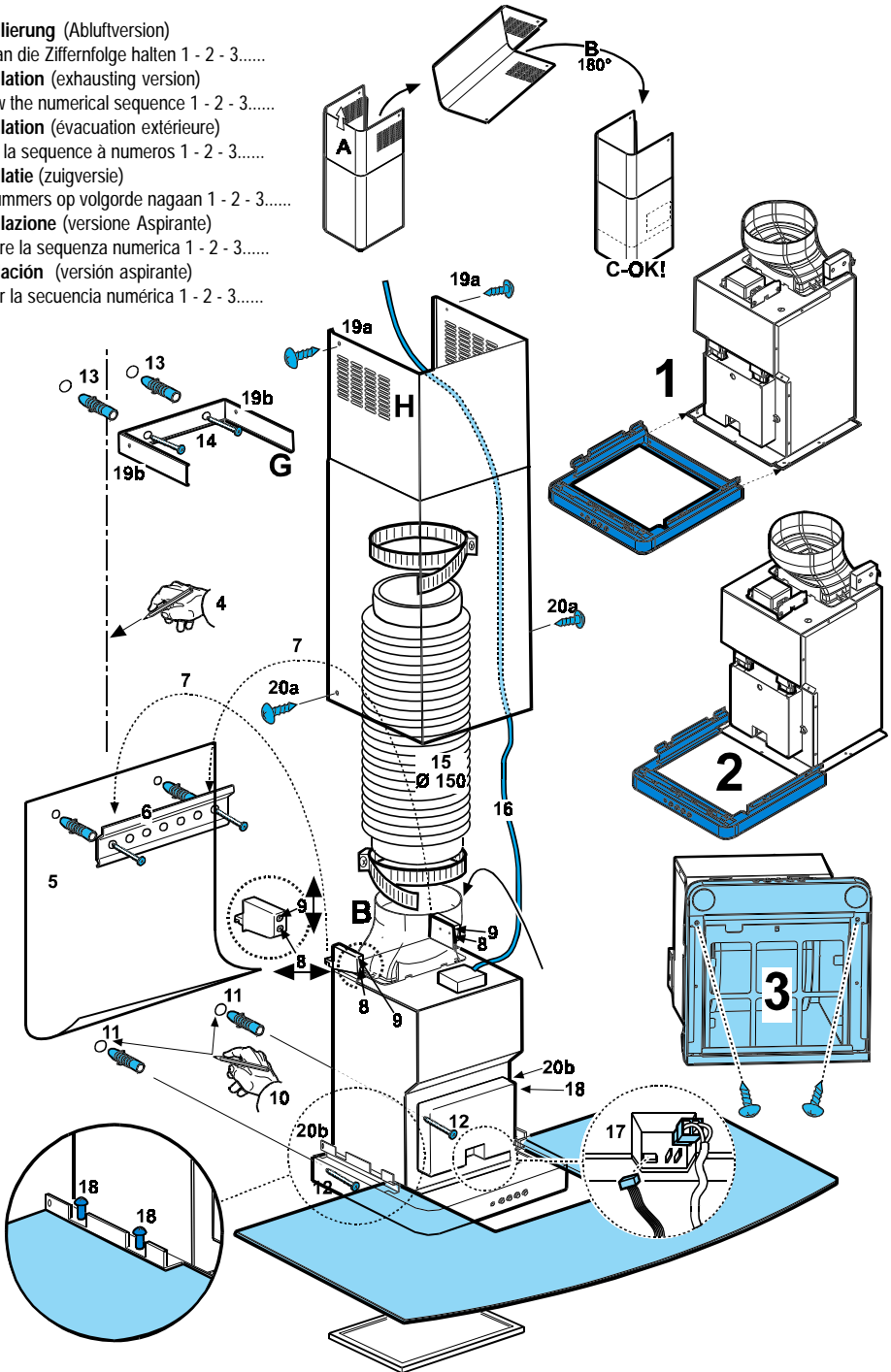
De nummers op volgorde nagaan 1 - 2 - 3.....

Installazione (versione Aspirante)

Seguire la sequenza numerica 1 - 2 - 3.....

Instalación (versión aspirante)

Seguir la secuencia numérica 1 - 2 - 3.....



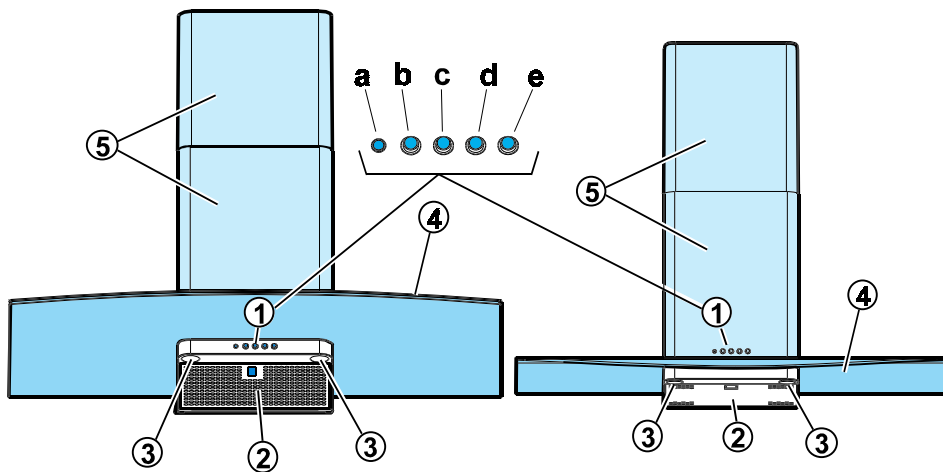


Fig. 1 - Abb. 1 - Afb. 1

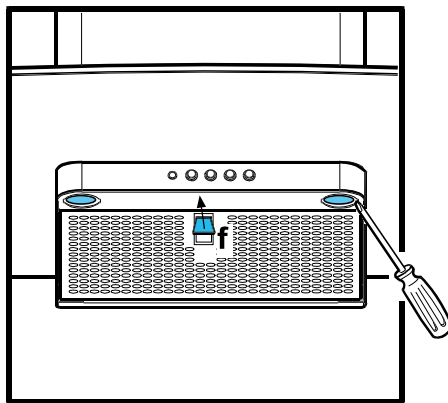


Fig. 2 - Abb. 2 - Afb. 2

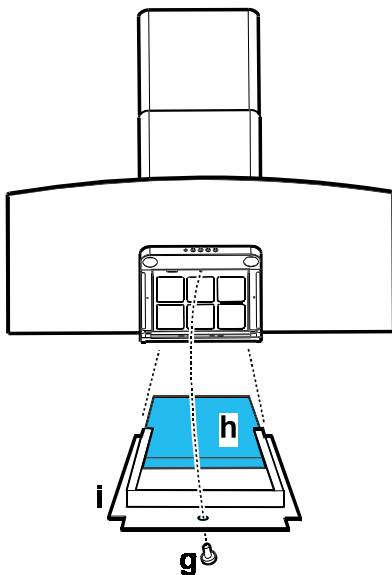


Fig. 3 - Abb. 3 - Afb. 3

Closely follow the instructions set out in this manual

HOOD DESCRIPTION – Fig. 1

1. Control panel
2. Anti-grease filter
3. Halogenous lamps
4. Vapor screen
5. Telescopic stack

Description of the control panel and functioning of the hood – Fig.1

- a. operating gauge
- b. on/off light switch
- c. on/off aspiration switch and minimum power selection
- d. medium power selection aspiration switch
- e. maximum power selection aspiration switch

Use the high suction speed in cases of concentrated kitchen vapours. It is recommended that the cooker hood suction is switched on for 5 minutes prior to cooking and to leave in operation during cooking and for another 15 minutes approximately after terminating cooking.

Use: the hood is equipped with an upper **B** air exhaust pipe for eliminating fumes towards the outside (**Exhausting version** – exhaust pipe and fastening rings are not supplied). In case of impossibility to direct fumes and vapors towards the outside, a **Filtering version** of the hood is available by installing an activated charcoal filter and the deflector **F** on the stack support **G**, fumes and vapors are recycled through the upper grate cleaner **H** by means of an exhaust duct connected to the upper air exhaust **B** and the connecting ring mounted on the deflector **F** (exhaust duct and fastening balls are not supplied).

The models without suction motor operate only in the suction version and must be connected to a peripheral suction unit (not supplied).

Installation: The cooker hood must be placed at a minimum distance of 60 cm from the cooking plane for electric cookers and 70cm for gas or mixed cookers.

The vapor screen to insert and affix (operation **18** in the installation scheme) may be of different forms, but the assembly remains identical. Lock in the screws that affix the vapor screen to the cooker hood (operation **18** in the installation scheme).

Do not tile, grout or silicone this appliance to the wall. Surface mounting only.

Do not fix chimney flue to furniture or fly over shelves unless the chimney flue can be easily removed, in case maintenance is ever required.

Electrical connection: The electrical tension must correspond to the tension noted on the label placed inside the cooker hood. Connect the electrical plug, where provided, to the an easily accessible outlet in conformity with local standards in force.

Where an electrical plug is not provided (for direct connection to electrical network) place a standards approved bipolar switch with an aperture distance of not less than 3mm (accessible) from the contacts.

Caution: This appliance is designed to be operated by adults. Children should not be allowed to tamper with the controls or play with the appliance.

Do not use the cooker hood where the anti-grease filter is not correctly fixed! The suctioned air must not be conveyed in the same channel used for fumes discharged by appliances powered by other than electricity. The environment must always be adequately aerated when the cooker hood and other appliances powered by other than electricity are used at the same time. Flambé cooking with a cooker hood is prohibited. The use of a free flame is damaging to the filters and may cause fire accidents, therefore free flame cooking must be avoided. Frying of foods must be kept under close control in order to avoid overheated oil catching fire. Carry out fumes discharging in accordance with the regulations in force by local laws for safety and technical restrictions.

Maintenance

Prior to any maintenance operation ensure that the cooker hood is disconnected from the electrical outlet.

Anti-Grease filter: it must be cleaned once a month, using non-aggressive detergents, manually or in the dish-washer at low temperature and brief cycle. In order to remove the anti-grease filter, pull the spring handle **f** downwards – (**Fig.2**). When washed in a dish-washer, the grease filter may discolour slightly, but this does not affect its filtering capacity.

Charcoal filter (only in the filtering version)

It absorbs unpleasant odors caused by cooking.

The charcoal filter can be washed every two months using hot water and appropriate detergents or in the dish-washer at 65° C (if the dish-washer is used, select the full cycle function and leave dishes out).

Eliminate excess water without damaging the filter, then remove the mattress located inside the plastic frame and put it in the oven for 10 minutes at 100° C to dry completely. Replace the mattress every 3 years and when the cloth is damaged.

Remove the frame **i** which supports the filter **h** by unscrewing it from the hood **g** (**Fig.3**). Insert the coal mattress inside the frame and put all parts back in their place.

Cleaning: the hood must be cleaned regularly both internally and externally. Use a damp cloth with denaturated alcohol or neutral liquid detergents. Avoid the use of abrasive products.

Ignoring the procedure for the cleaning of the hood, the replacement and cleaning of the filters can lead to fire risk.

Replacement of lamps

Remove the light bulb from the lamp using a small screw driver as a lever on the borders. (**Fig. 2**) Replace the light bulb with a new PHILIPS STANDARD LINE code 425409 of 12V 20W 30° E35 12V GU4.

After the replacement of the light bulb follow instructions in reverse to close lamp housing.