

- ⓓ** Montage- und Gebrauchsanweisung
- ⓕ** Prescriptions de montage et mode d'emploi
- ⓖⓑ** Instructions on mounting and use
- ⓓⓕ** Montage- en gebruiksaanwijzing
- ⓓ** Istruzioni di montaggio e d'uso
- ⓔ** Instrucciones de montaje y para el uso
- ⓓ** Instalação e manutenção
- ⓕⓕ** ИНСТРУКЦИИ ПО УСТАНОВКЕ И ПОЛЬЗОВАНИЮ
- ⓕ** 安裝及使用指引

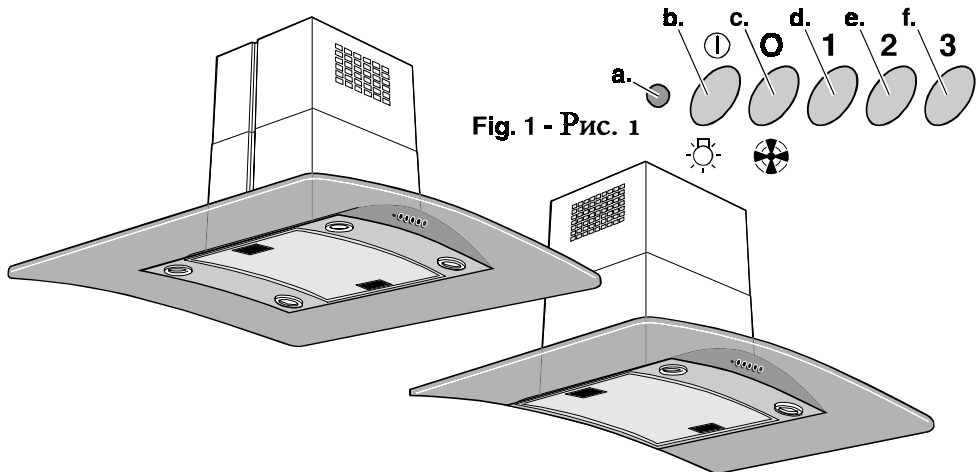


Fig. 1 - Рис. 1

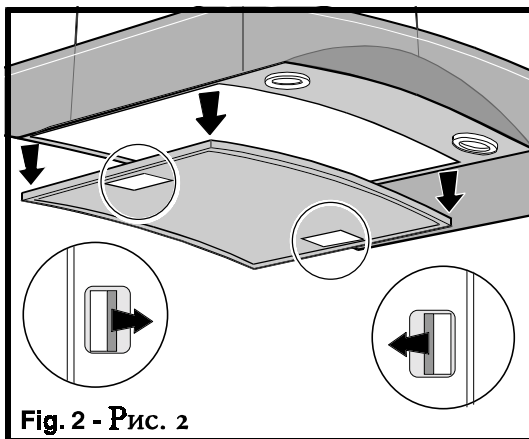


Fig. 2 - Рис. 2

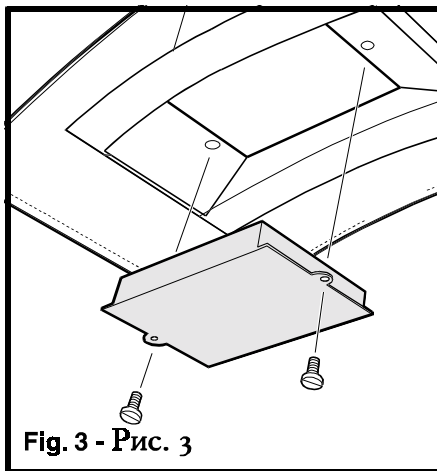


Fig. 3 - Рис. 3

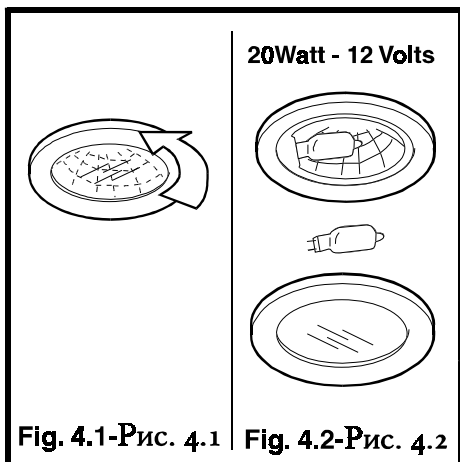
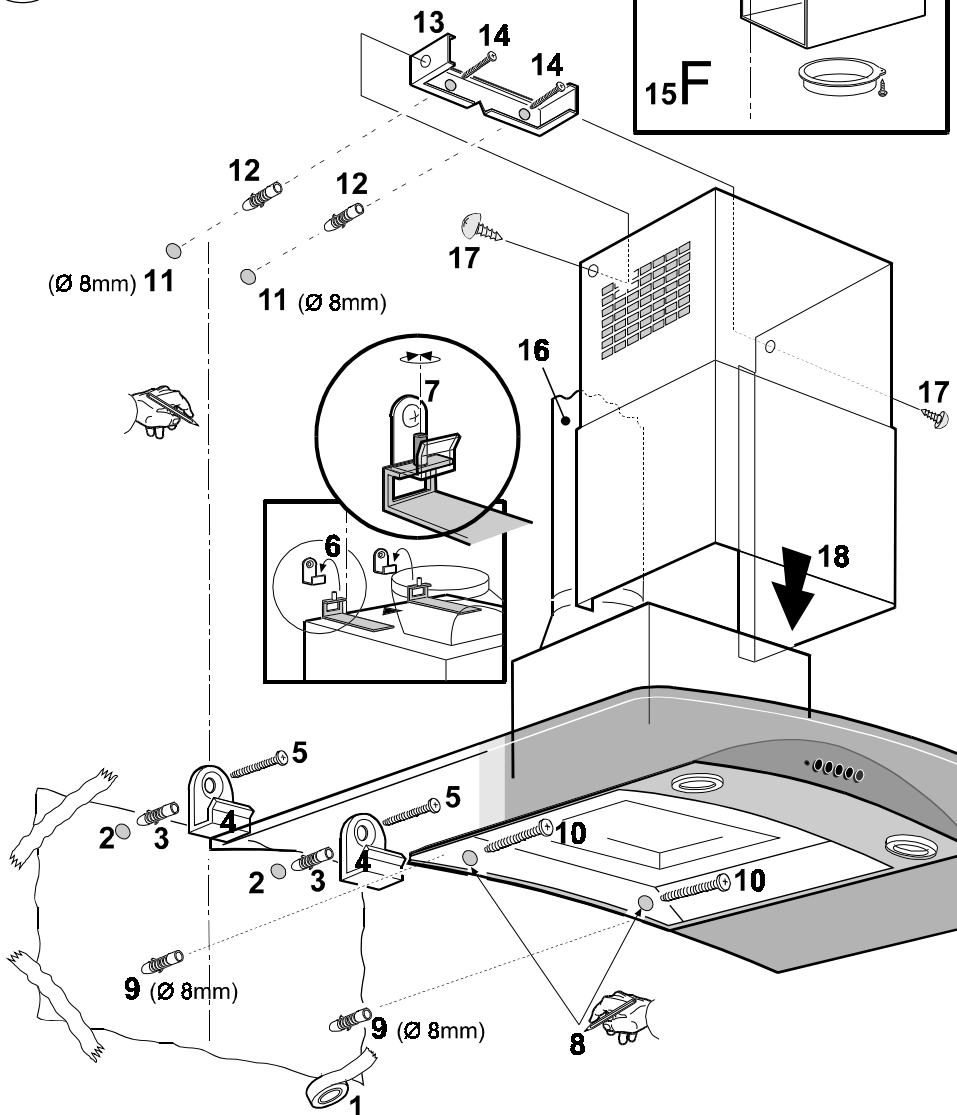
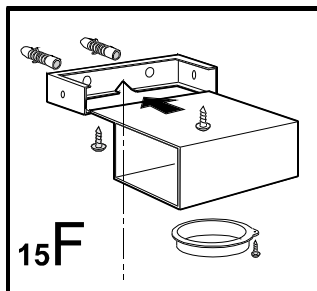


Fig. 4.1-Рис. 4.1

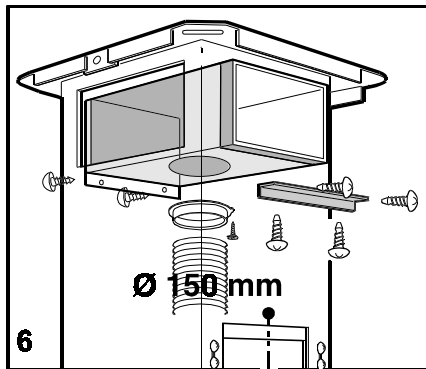
Fig. 4.2-Рис. 4.2

- D** Montage der Dunstabzugshaube
Wandmodelle
- F** Montage de la hotte - Modele pour paroi
- GB** Mounting the hood - Wall model
- NL** Het monteren van de kap - Wand-model
- I** Montaggio della cappa - Modello per parete
- E** Montaje - Modelo para pared
- C** 抽油煙機安裝方法—掛牆式

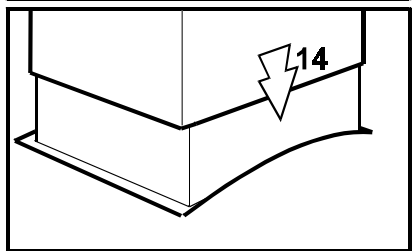
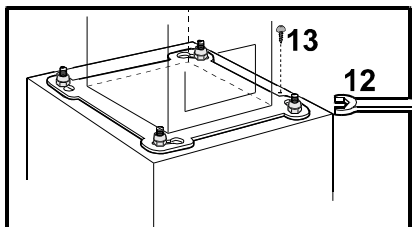
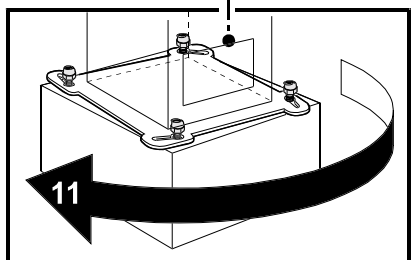
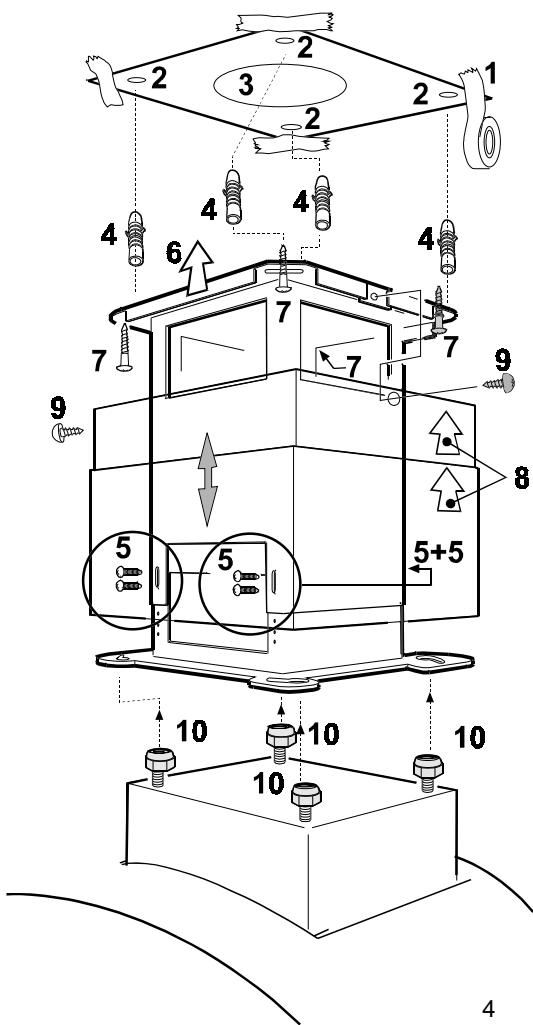
- P** Montagem do exaustor
Modelo de parede
- RU** Установка
воздухоочистителя
настенная модель



- D** Montage der Dunstabzugshaube
Deckenmodell
- F** Montage de la hotte - Modele pour plafond
- GB** Mounting the hood - Ceiling model
- NL** Het monteren van de kap - Plafond-model
- I** Montaggio della cappa - Modello per soffitto
- E** Montaje - Modelo para techo
- P** Montagem do exaustor - Modelo de tecto
- RU** Установка воздухоочистителя
Потолочная (островная) модель
- C** 抽油煙機安裝方法—天花吊掛式



Vorner Seite - Hinter Seite
 côté avant - côté arrière
 front side - rear side
 voorzijde - achterzijde
 lato anteriore - lato posteriore
 lado delantero - lado trasero
 lado anterior - lado posterior
 передняя сторона - задняя сторона



Control panel - Fig. 1 -

- a. "ON" indicator light
- b. Light ON-OFF button
- c. Motor OFF button
- d. e. f. Motor speed buttons
speed 1 (d.), speed 2 (e.), speed 3 (f.)

Use of the hood

It is advisable to switch on the extractor hood a few minutes before starting cooking and then to leave it running for approximately 5 minutes afterwards to ensure that all odours are extracted.

Maintenance

Before performing any maintenance operation, isolate the hood from the electrical supply by switching off at the connector and removing the connector fuse. Or if the appliance has been connected through a plug and socket, then the plug must be removed from the socket.

Metal grease filter

The metal grease filter lasts forever and must be washed either by hand or in the dishwasher (**65°C**) with suitable detergents. The grease filters must be washed at least once a month.

Let the filter dry without damaging it before putting it back into place.

When washed in a dish-washer, the grease filter may discolour slightly, but this does not affect its filtering capacity.

To remove the metal grease filter - Fig. 2:

1. Disconnect the hood from the electricity.
2. **a** - push toward the centre
b - pull the filters downwards.

Carry out the above steps in reverse order to put the filters back after having washed them.

Carbon filter

("recirculation mode only", see next pages)
The carbon filter cannot be washed nor regenerated.

The carbon filter should be replaced every 6 months under normal use.

To fit the carbon filter - Fig. 3:

1. Disconnect the hood from the electricity.
2. Remove the metal filters.
3. Fit the carbon filter and fix it to the body of the hood with two supplied screws
4. Put the metal filter back into place.

To replace the carbon filter - Fig. 3:

1. Disconnect the hood from the electricity.
2. Remove the metal filters.
3. Remove the old carbon filter and replace it.
4. Put the metal filter back into place.

Cleaning

To clean the outside of the hood use a cloth moistened with denatured alcohol or neutral liquid detergents. Never use products containing abrasive.

Wipe brushed stainless steel in the same direction as the brushing to avoid scratching.

Attention

Failure to observe the instructions for cleaning the appliance and changing and cleaning the filters may cause fires.

Therefore, we recommend observing these instructions.

Replacing the lamp - Fig. 4

1. Disconnect the hood from the electricity.
Firstly check that the lamps are well cooled prior to replacing them.
2. Unscrew the lamp cover.
3. Replace the damaged lamp with a new halogen lamp of 20Watt max.
4. Screw the lamp cover on its proper place.
Before calling for repair service because the hood fails to light up, make sure the lamps are well inserted.

Warning!

- The hood cannot be connected to flues of other appliances that run on energy sources other than electricity.
- When the hood is used at the same time of other appliances that run on energy sources other than electricity, provision must be made for an adequate supply of air.
- No food must be cooked flambé underneath the hood.
The use of an unprotected flame is dangerous for the filters and could cause fires.
Therefore, never use an open flame under the hood. When frying foods, never leave the pan alone because the cooking oil could flare up.
- Please, keep to the provisions of official directives regarding the question of fume discharge.
- The manufacturers refuse to accept any responsibility for damage to the hood or its catching on fire because of failure to observe the above instructions.

Installation

These minimum distances between hobs and grease filter **must** be observed:

Minimum 600 mm - electric hobs

Minimum 700 mm - gas or mixed hobs

Do not tile, grout or silicone this appliance to the wall. Surface mounting only.

Do not fix chimney flue to furniture or fly over shelves unless the chimney flue can be easily removed, in case maintenance is ever required.

Electric connection

Before completing any connection, make sure the house voltage corresponds with the voltage indicated on the label affixed inside the hood

It is advisable to call a qualified technician to make the electrical connection.

Appliance fitted with plug.

Connect it to a socket which conforms with current regulations.

If you intend to connect it directly to the electric mains, remove the plug and fit an approved bipolar switch with a minimum contact opening of no less than 3mm.

If the plug is not accessible once it has been inserted in the socket, it will however be necessary to fit an approved bipolar switch with a minimum contact opening of no less than 3mm.

Appliance without plug

Fit an approved plug or an approved bipolar switch with a minimum contact opening of not less than 3mm.

The manufacturers are not liable for any problems caused by the user's failure to observe the above instructions.

Systems available

Two systems are available:

Exhaust mode

Vapours are extracted outside through an exhausting pipe that is affixed to the connection ring above the hood.

Diameter of the exhausting pipe must be equal to that of the connection ring.

Attention!

If the hood is supplied with carbon filter, then it must be removed.

Recirculation mode

The air is filtered through a carbon filter and recirculated into the room through the grid on the higher part of the chimney.

Attention!

This hood is not supplied with the carbon filter, so must be ordered separately if required.