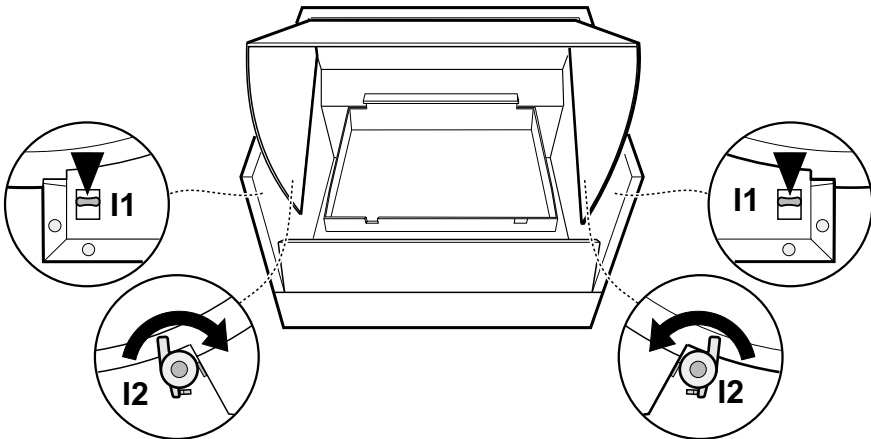
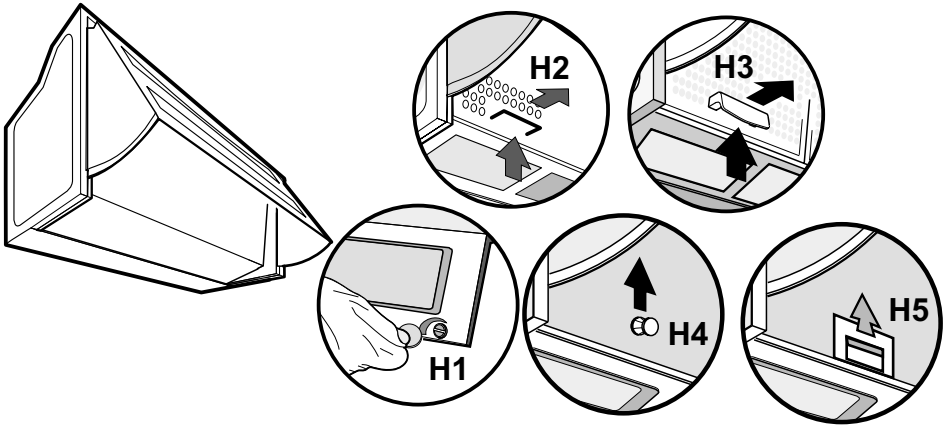
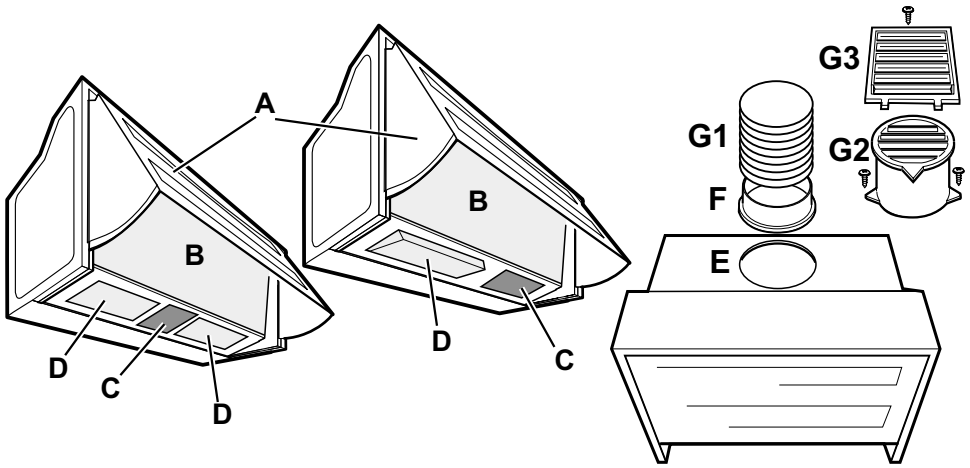
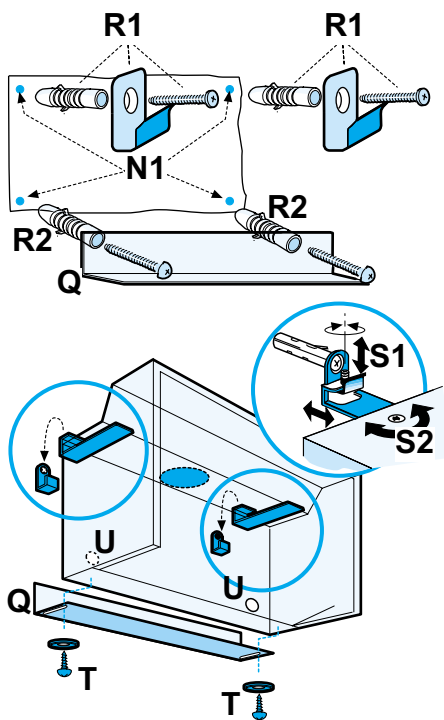
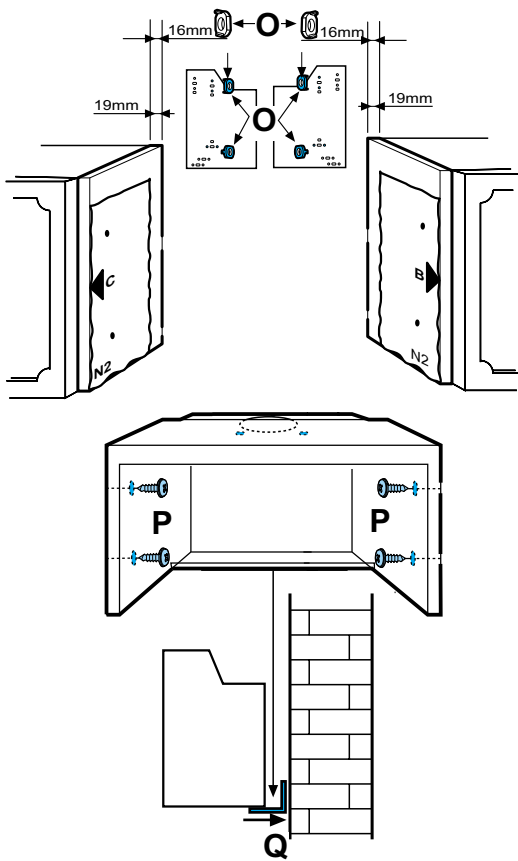
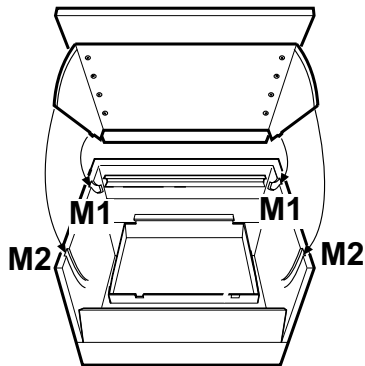
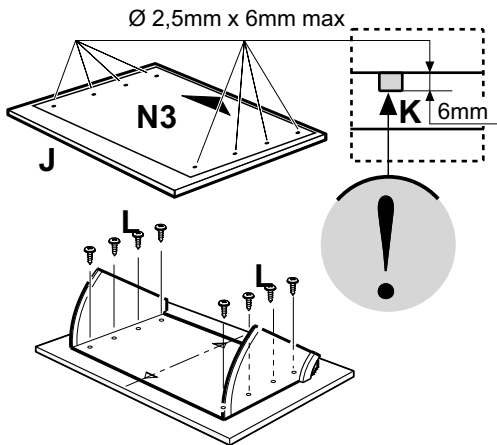
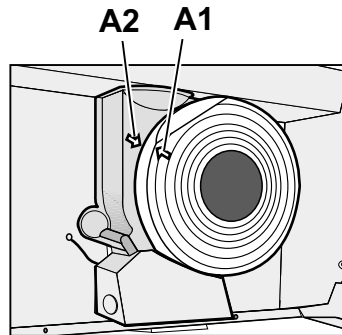
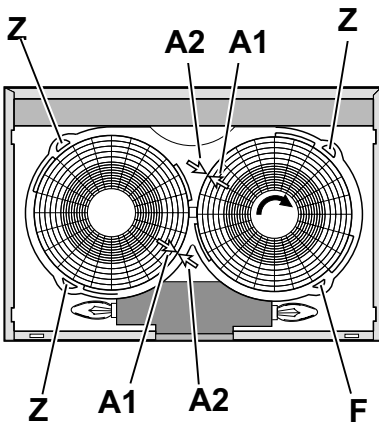
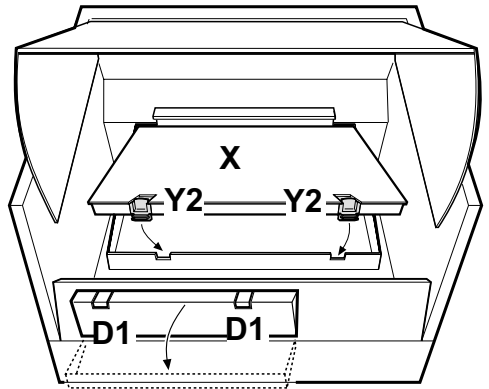
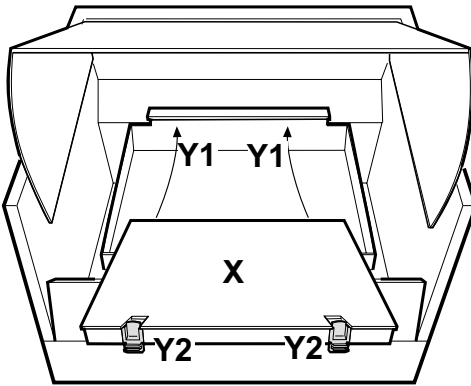
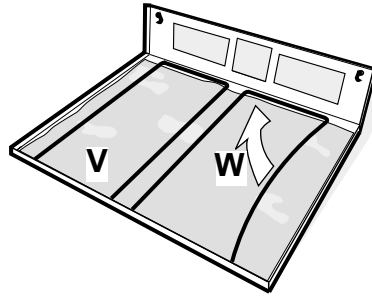
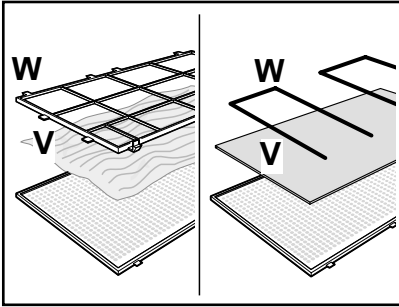


- (E)** Montaje y modo de empleo
- (P)** Instruções para montagem e utilização
- (F)** Prescriptions de montage et mode d'emploi
- (GB)** Instruction on mounting and use
- (D)** Montage- und Gebrauchsanweisung
- (NL)** Montagevoorschriften en gebruiksaanwijzing
- (I)** Istruzioni di montaggio e d'uso







Consult the designs in the front pages referenced in the text by alphabet letters.

Closely follow the instructions set out in this manual

All responsibility, for any eventual inconveniences, damages or fires caused by not complying with the instructions in this manual, is declined.

Suction Cooker hood Description - Fig. 1- various models

- A. Vapour collector
- B. Suction grill
- C. Controls
- D. Light point

Use- Fig.1: The cooker hood is supplied with an upper air outlet **E** with connection ring **F**; a discharge pipe **G1** of the same diameter as the connection ring (not supplied) is to be mounted on the connection ring for discharging fumes externally (**Suction Version**).

In cases where external fumes and vapour discharge is not possible, the cooker hood may be used in the **Filter Version** by simply mounting a carbon filter, and deflector (**G2**-with two screws) in place of the discharge pipe on the upper air outlet or directly in place of the connection ring (**G3** with one screw), for discharging of fumes above the cabinet.

If necessary, a small tube trunk equivalent to the connection ring is mounted in order to reach above the cabinet, the deflector (if supplied) is then affixed to the hole cut out on the top of the cabinet for the discharging of fumes. The models without suction motor function only in the suction version and must be connected to an external suction unit (not supplied).

Installation: Do not tile, grout or silicone this appliance to the wall. Surface mounting only.

Do not fix chimney flue to furniture or fly over shelves unless the chimney flue can be easily removed, in case maintenance is ever required. The cooker hood must be positioned at a minimum distance to the cooktop of 65 cm for electric top cookers and 70 cm for mixed or gas top cookers. The cooker hood may be installed directly to the wall or between hanging cabinets (see mounting diagram). The vapour collector must be covered with an aesthetic covering panel.

Affixing the aesthetic panel - Fig. 3, remove the suction grill (**B-Fig.1**), depending on the model turn the lateral handles and remove the grill by sliding towards the bottom (**H1-Fig.2**) or pull the handles upwards and slide out the suction grill (**H2-H3-H4-Fig.2**), remove the vapour collector (freeing the locking releases **I-Fig.3**), apply the drill holes diagram N3 on the rear of the aesthetic panel (**Fig.4,J**-the arrow on the diagram should face the upper border of the

aesthetic panel), perform blind holes as indicated (**K-Fig.4**), place the vapour collector over the aesthetic panel and affix with 8 screws (**Fig.4,L**), remount the cover on the cooker hood firstly in the upper track (**Fig.4-M1**), then in the lower track (**Fig.4-M2**), where the cooker hood is provided with revolving locking releases (**Fig. 3**) these should be turned in the opposite direction of the release to avoid that the vapour collector may be unintentionally released during normal use of the cooker hood.

Affixing the cooker hood to side cabinets use the drill holes diagram N2, position the diagram on the anterior borders of the cabinet (right cabinet – must remain visible on the letter B of the drill holes diagram) – (left cabinet – must remain visible on the letter C of the drill holes diagram) drill the holes **IRRESPECTIVE OF THE THICKNESS OF THE CABINET DOOR**.

Where the side cabinet thickness is 16mm apply spacers if supplied (**Fig. 5,O**) to the sides of the cooker hood corresponding to the drill holes specified for the screws.

Fasten the cooker hood with 4 screws (**Fig.5,P**), place the connection ring and discharge pipe (or deflector if supplied) to the cooker hood outlet (see “Use” section), mount the lower bracket (**Fig. 5,Q**) to the cooker hood with two screws and plastic washers (**Fig. 6,T**).

Affixing the cooker hood to the wall use the drill holes diagram N1, drill as indicated, insert two hooks in the upper drill holes (**Fig.6,R1**) and two dowels in the lower drill holes (**Fig.6,R2**), fasten the lower bracket to the wall with two screws (**Fig.6,Q**), hang the cooker hood on the wall, regulate the position of the cooker hood (**Fig.6** - screws **S1** for vertical regulation, screws **S2** for depth regulation), place connection ring and discharge pipe (or deflector if supplied) to the cooker hood outlet (see “Use” section), fasten the cooker hood to the lower bracket (**Fig.6,Q**) with two screws and plastic washers (**Fig. 6,T**).

Access to the screws that secure the lower bracket may be through the drill holes located inside the cooker hood (**Fig.6,U**).

Electrical connection: The electrical tension must correspond to the tension noted on the label placed inside the cooker hood. Connect the electrical plug, where provided, to the an easily accessible outlet in conformity with local standards in force. Where an electrical plug is not provided (for direct connection to electrical network) place a standards approved bipolar switch with an aperture distance of not less than 3mm (accessible) from the contacts.

Caution: This appliance is designed to be operated by adults. Children should not be allowed to tamper with the controls or play with the appliance.

Do not use the cooker hood where the grill is not correctly fixed! The suctioned air must not be conveyed in the same channel used for fumes discharged by appliances powered

by other than electricity. The environment must always be adequately aerated when the cooker hood and other appliances powered by other than electricity are used at the same time. Flambé cooking with a cooker hood is prohibited. The use of a free flame is damaging to the filters and may cause fire accidents, therefore free flame cooking must be avoided. Frying of foods must be kept under close control in order to avoid overheated oil catching fire. Carry out fumes discharging in accordance with the regulations in force by local laws for safety and technical restrictions.

Operation

The control panel is provided with a suction power selection switch and cook top light switch.

Located on the side of the lamp panel.

Warning! Some models are provided with automatic on/off switch via opening and closing the vapour collector.

Use the higher suction speed for higher concentration of cooking vapours. It is recommended to operate the cooker hood suction 5 minutes prior to cooking and leave it in operation for approximately 15 minutes after cooking.

Maintenance

Prior to any maintenance operation ensure that the cooker hood is disconnected from the electrical outlet.

Anti-grease Filter

Traps cooking grease particles.

If situated inside the grill support, it may be one of the following types:

Paper filter must be replaced once a month or sooner, if coloured on the upper side, when the coloration is visible through the grill holes.

Sponge filter should be washed in soapy water monthly and replaced every 5/6 washes.

Metallic filter must be cleaned once a month by hand using non abrasive detergents or in dishwasher on low temperature and short cycle. When washed in a dishwasher, the grease filter may discolour slightly, but this does not affect its filtering capacity.

To access the grease filter (**Fig. 7,V**) open the suction grill via the releases (**Fig.2,H1**) and loosen from locks (**Fig. 7,W**).

Some models are provided with anti-grease filter incorporated in the suction grill, these should be removed from the housing by pulling the handles upwards and sliding out (**Fig.2,H2-H3-H4**), wash these filters as with metallic filters.

Carbon Filter (Filter Version only)

The active carbon filter is not washable nor reusable.

Traps unpleasant cooking odours.

It is mounted inside the cooker hood covering the motor protection grill – it may be one of the following types:

Rectangular (it should be replaced every 6 months): position the filter (**Fig.8,X**) inside the frame.

Hook the filter first in the upper part (**Fig.8,Y1**) then secure in the lower section with the two hooks provided on the filter (**Fig.8,Y2**).

Circular (it should be replaced every 4 months)-Bayonet insert position the filter in the centre (if necessary use the hooks (**Fig.8,Z**) for centring the filter) covering the motor protection grill ensuring that the reference (**Fig.8,A1**) on the carbon filter corresponds with the reference (**Fig.8,A2**) on the conveyor, turn clockwise; for dismantling the carbon filter carry out the instructions in reverse.

The procedure for mounting and dismantling the carbon filter for models with one or two carbon filters is identical.

Cleaning: The cooker hood should be cleaned regularly internally and externally.

For cleaning use a cloth moistened with neutral liquid detergents. Avoid abrasive detergents.

Failure to carry out the basic standards of the cleaning of the cooker hood and replacement of the filters may cause fire risks. Therefore we recommend observing these instructions.

Lamp replacement : Remove the suction grill (or directly open the lamp area if provided with release hooks **D1-Fig.8**) to access the lamp area.

Firstly check that the lamps are well cooled prior to replacing them.

Remove the damaged lightbulb and replace with an oval incandescent lightbulb max. 40W E14 or PL lamp of 11W (cooker hood with one lightbulb) or 9 W (cooker hood with two lightbulbs).