

E

MONTAJE Y MODO DE EMPLEO

P

INSTRUÇÕES PARA MONTAGEM E UTILIZAÇÃO

F

PRESCRIPTIONS DE MONTAGE ET MODE D'EMPLOI

GB

INSTRUCTION ON MOUNTING AND USE

D

MONTAGE- UND GEBRAUCHSANWEISUNG

NL

MONTAGEVOORSCHRIFTEN EN GEBRUIKSAANWIIZING

RU

ИНСТРУКЦИИ ПО МОНТАЖУ И ЭКСПЛУАТАЦИИ

I

ISTRUZIONI DI MONTAGGIO E D'USO

HR

UPUTSTVA ZA MONTAŽU I ZA UPORABU

GR

ΟΔΗΓΙΕΣ ΤΟΠΟΘΕΤΗΣΗΣ ΚΑΙ ΧΡΗΣΗΣ

CZ

NÁVOD NA MONTÁŽ A POUŽÍVÁNÍ

PL

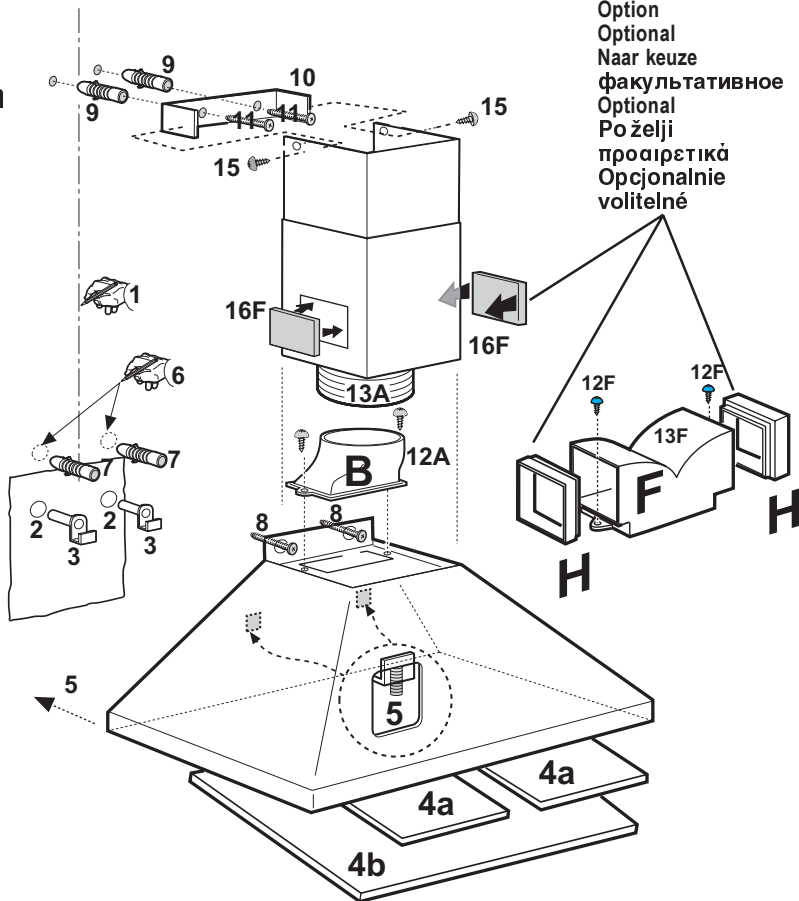
INSTRUKCJA MONTAŻU I OBSŁUGI

中

安装和使用说明

Instalación **Montáž**
Instalação **Установка**
Montage **Installazione**
Installation **Instaliranje**
Instalierung **Εγκατάσταση**
Instalatie **Instalacja**

Opcionales
Opção
Option
Optional
Naar keuze
факультативное
Optional
Po želji
προαιρετικά
Opcjonalnie
volitelné



Atención! La posición de los puntos de enganche (5 - orificios rectangulares) o de los puntos de sujeción obligatoria (8 - orificios circulares) se pueden intercambiar. Para ello controle la estructura de la campana que Usted posea para comprobar la posición.

Atenção! A posição dos pontos de pendurar (5 - Furos rectangulares) ou dos pontos de fixação obrigatória (8 - furos circulares) podem estar invertidas! Portanto, controlar a parte traseira de sua coifa para verificar a posição dos mesmos.

Attention! La position des points d'accrochage (5 - trous rectangulaires) ou des points de fixation obligatoires (8 - trous circulaires) peuvent être inversés! Contrôler donc le dossier de la hotte en votre possession pour vérifier la position.

Warning! The position of the hook points (5 - Rectangular perforations) or the compulsory fastening points (8 - circular drill holes) may be inverted! Therefore check the back of the cooker hood in your possession to verify the position.

Hinweis! Die Position der Einrastpunkte (5 - rechteckige Löcher) und der Punkte für die obligatorische Befestigung (8 - runde Löcher) können miteinander vertauscht sein! Deshalb an der Rückseite der in Ihrem Besitz befindlichen Haube die Position dieser Punkte überprüfen.

Let op! De positie van de hechtpunten (5 - Rechthoekige gaten) of van de verplichte bevestigingspunten (8 - ronde gaten) kunnen omgewisseld zijn! Controleer daarom de rugzijde van de kap in uw bezit om de positie ervan te verifiëren.

Внимание! Положения точек подвешивания (5 - прямоугольные отверстия) или точек обязательного крепления (8 - круглые отверстия) могут быть переставлены! Поэтому проверьте это положение на задней стенке имеющейся у Вас вытяжки.

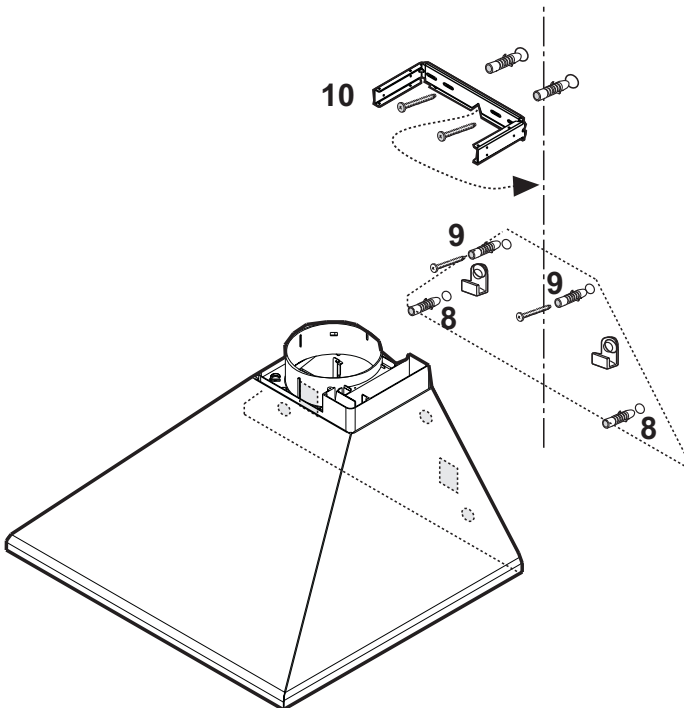
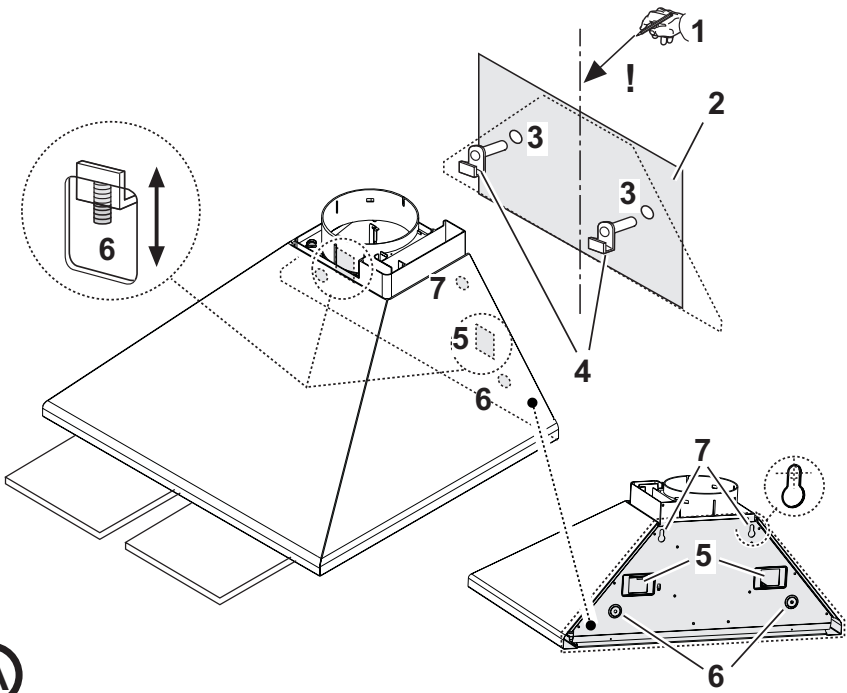
Attenzione! La posizione dei punti di aggancio (5 - Fori rettangolari) o dei punti di fissaggio obbligatorio (8 - fori circolari) possono essere invertiti! Controllare perciò lo schienale della cappa in Vs. possesso per verificarne la posizione.

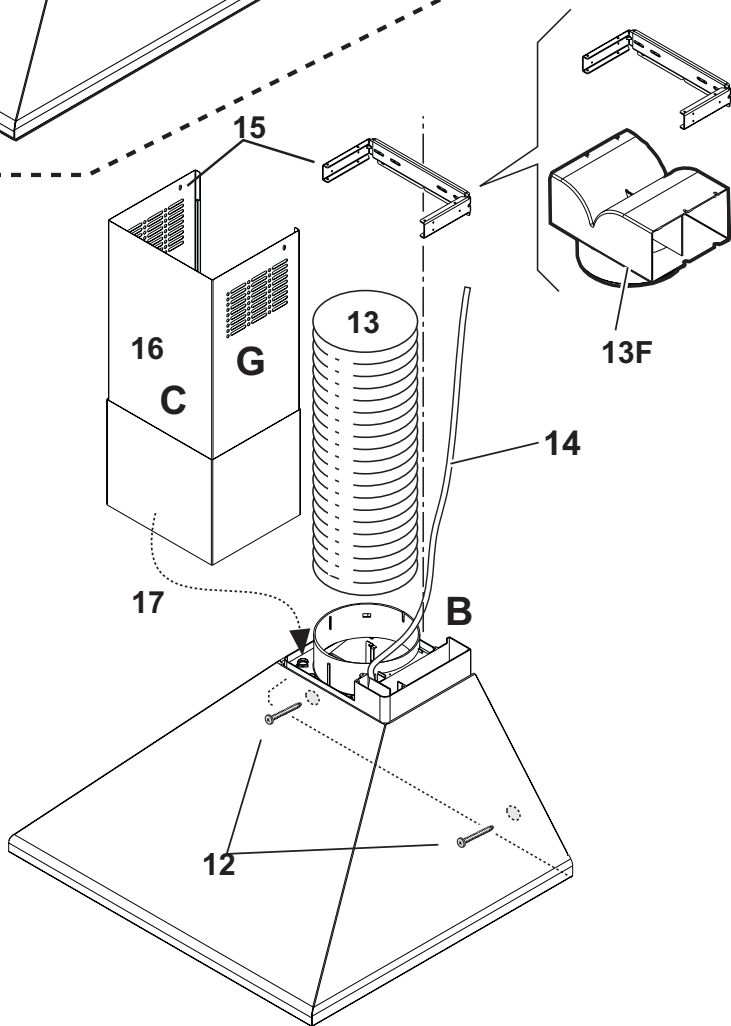
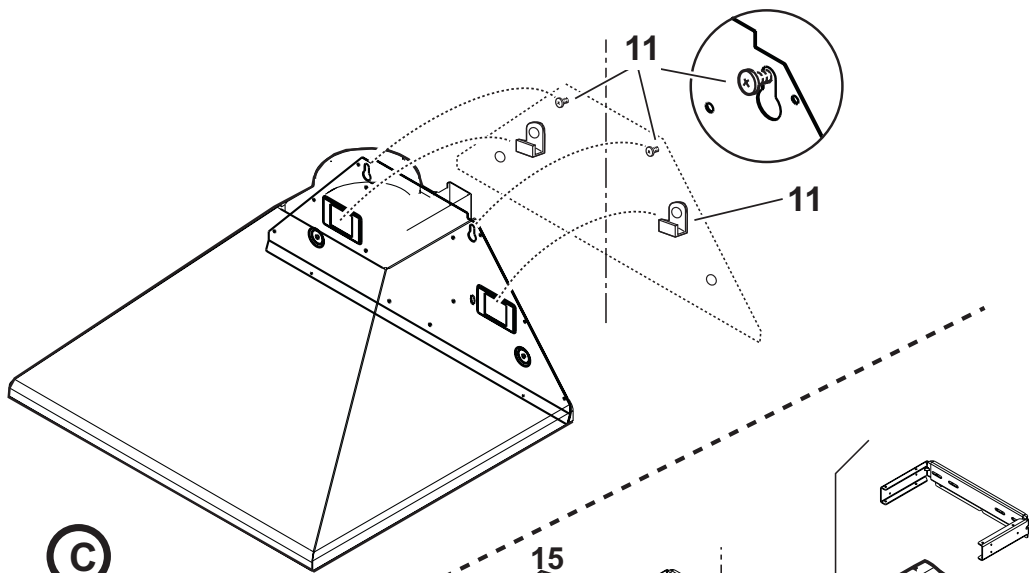
UPOZORENJE! Pozicija prikacnih mjesta (5 - pravokutnih rupa) ili obaveznih fiksirajućih mesta (8 - kružnih rupa) mogu se međusobno zamjeniti. Zato prekontrolirajte tablu koja pripada vašem aspiratoru da bi videli pravu poziciju.

Προσοχή! Η θέση των σημείων γαντζώματος (5 - Όρες ορθογώνιες) ή των σημείων υποχρεωτικής σταθεροποίησης (8 - Όρες κυκλικές) μπορούν να έχουν αντιστραφεί! Ελέγξε γι αυτό το πίσω μέρος του απορροφητήρα σας για να εξακριβώσεις την θέση.

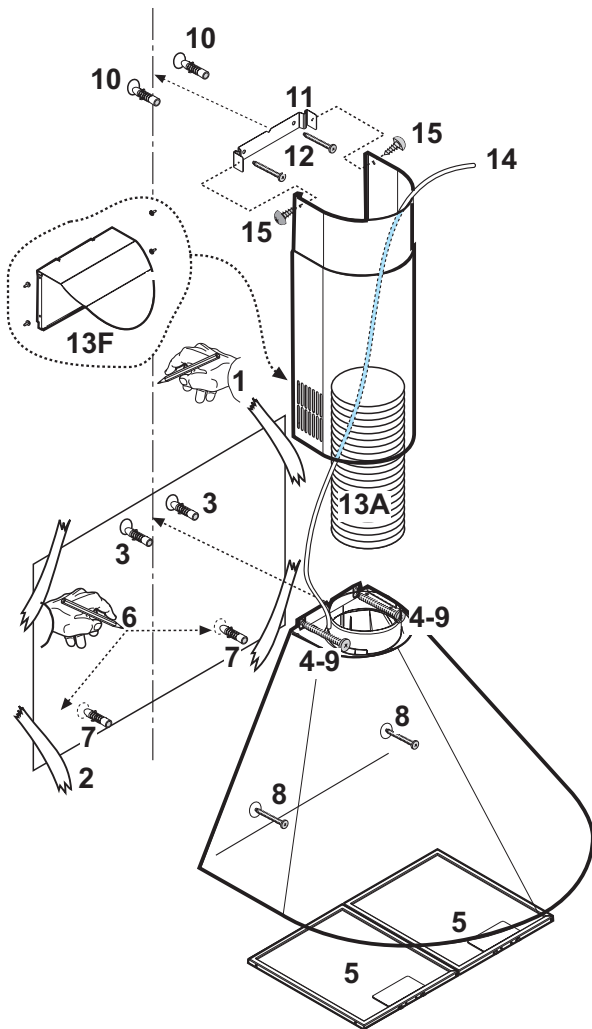
Pozor! Pozice závěsných bodů (5 - obdélníkové otvory) anebo bodů povinného upevnění (8 - okrouhlé otvory) může být obrácena! Proto zkontrolujte zadní stranu odsavače ve Vašem vlastnictví k ověření její pozice.

Uwaga! Punkty zaczepienia okapu (5 - otwory prostokątne) i punkty mocowania okapu (8 - otwory kołowe), na okapie mogą być oznaczone odwrotnie! W związku z tym przed przystąpieniem do instalacji urządzenia, należy sprawdzić położenie wyżej podanych punktów.

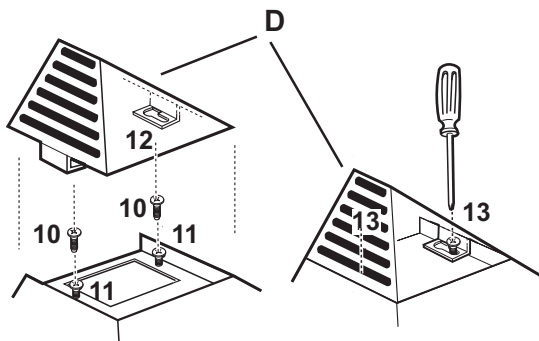




Instalación-Modelo con perfil redondeado
 Instalação-Modelo com perfil arredondado
 Installation-Modèle avec profil arrondi
 Installation-Model with rounded border
 Installierung-Modell mit abgerundetem Profil
 Installatie-Model met afgerond profiel
 Installazione-Modello con profilo arrotondato
 Instaliranje-model sa zaobljenim profilom
 Εγκατάσταση: Μοντέλο με προφίλ
 στρογγυλεμένο
 Установка – Модель с закругленным
 профилем
 Montáž - model se zaokrouhleným
 profílem
 Instalacja okapu – Model posiadający profil
 zaokrąglony



Modelo con cúpula (Versión Filtrante)
 Modelo com cúpula (Versão filtrante)
 Modèle avec chapeau (Version Filtrante)
 Model with dome (Filter Version)
 Modell mit Kuppel (Umlufthaube)
 Model met Koepel (Filterversie)
 Модель с зонтом (в фильтрующем режиме)
 Modello con cupolino (Versione Filtrante)
 Model sa kupolom (filtrirajucoj verziji)
 Μοντέλο με κάλυμμα (Μοντέλο με
 φίλτράρισμα)
 Model s domečkem
 Model z kopułą (wersja z filtrem)



Montaje de repisas (opcionales): A la altura deseada, clavar en los armarios adyacentes los 4 soportes laterales R y luego apoyar a ellos la repisa S.

Opção da grelha de adorno: Nas paredes laterais do móvel, fixar 4 suportes R e colocar a grelha S.

Option: montage des étagères: Sur les meubles adjacents, fixer les 4 supports latéraux R aux dimension voulues et poser les étagères S.

Fastening of shelves (optional): Fasten the four side supports R to the adjacent cabinets and place the shelf on the supports S.

Anbringung eventueller Regalbretter: An dergewünschten Höhe die vier seitlichen Halter R an den angrenzenden Schränken befestigen, und das Ablagebrett darauflegen S.

Het aanbrengen van eventuele pannerooster (naar keuze): De 4 steunen R op de gewenste maat aan de naastgelegen keukenkastjes aanbrengen en het rooster S erop leggen.

Крепление полок (факультативное):

Прикрепите четыре боковые опорные детали R к прилегающей мебели на желаемой высоте, затем кладите на них полку S.

Fissaggio mensole (optional): Fissare alla misura voluta i quattro supporti laterali R ai mobili adiacenti ed appoggiare la mensola S sopra di essi.

Postavljanje polica (poželji)

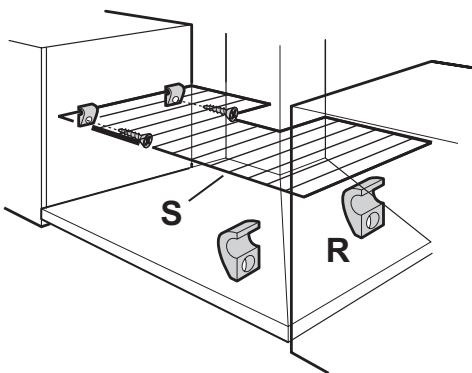
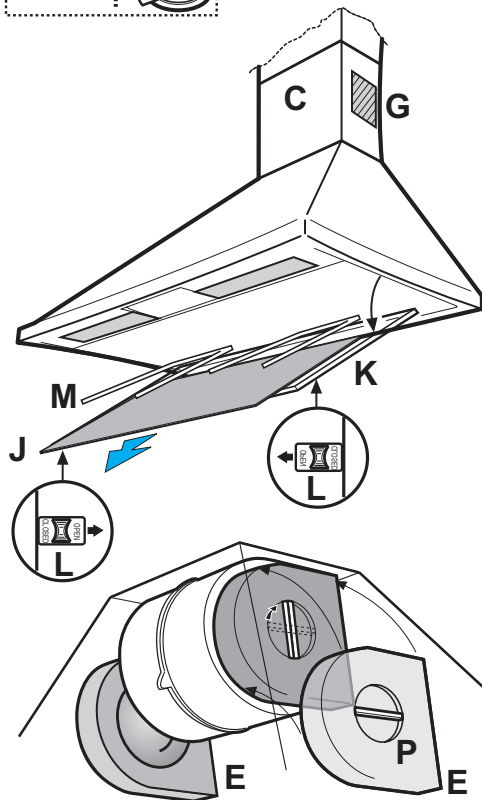
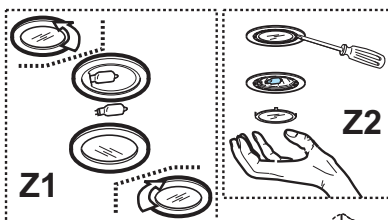
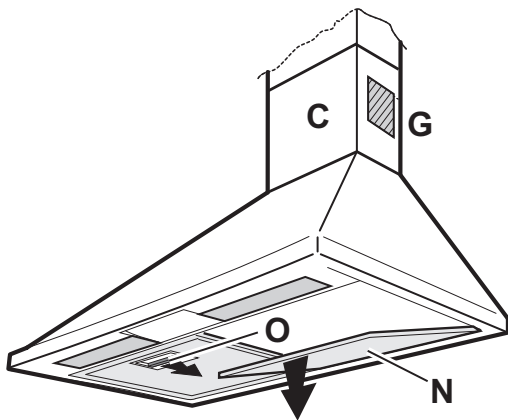
Pričvrstite na namještaj R, na željenoj visini, četiri bočna stalaka i postavite policu S.

Στερέωση ραφιών (προαιρετικά): Στερεώστε στην επιθυμητή απόσταση τα τέσσερα πλευρικά υποστηρίγματα R στα προσκείμενα έπιπλα και στηρίξτε το ράφι S επάνω τους.

Opcjonalnie: Montaż półek

Do sąsiadujących szafek zamocować cztery boczne wsporniki R i umieścić półkę na wspornikach S.

Upevnění mřížek (volitelné): Připevněte čtyři úchyty R na boky skříňek a umístěte na ně mřížku S.



GB INSTRUCTION ON MOUNTING AND USE

Consult the designs in the front pages referenced in the text by alphabet letters. **Closely follow the instructions set out in this manual.** All responsibility, for any eventual inconveniences, damages or fires caused by not complying with the instructions in this manual, is declined.

Installation

The cooker hood must be placed at a minimum distance of 60 cm from the cooking plane for electric cookers and 70cm for gas or mixed cookers.

If the instructions for installation for the gas hob specify a greater distance, this has to be taken into account.

Do not tile, grout or silicone this appliance to the wall. Surface mounting only.

Do not fix chimney flue to furniture or fly over shelves unless the chimney flue can be easily removed, in case maintenance is ever required.

Use

The cooker hood is provided with an upper air exit **B** for discharging fumes externally for models including chimney flue **C** (**Suction Version A**- exhaust pipe **13A** not supplied). If cooking fumes and vapours cannot be externally discharged even if using the model with chimney flue **C**, the cooker hood can be used in the **recirculating version F**: the installation of two active carbon filters **E** allows the recirculation of fumes and vapours through the upper grid **G**.

According to the specific model the recirculating grids can be already stamped on the flue or must be mounted on the two lateral sides of the flue (**16F**).

If the flue is pre-stamped the two parts **H** extensions must be placed on the deflector **13F**.

Warning! Part **H** not required with models that are supplied with 2 specially designed plastic recirculating grills - Parts **16F**.

The models provided with small dome **D** may only be used in the **filter version F**.

The models without suction motor operate only in the suction version and must be connected to a peripheral suction unit (not supplied).

Electrical connection

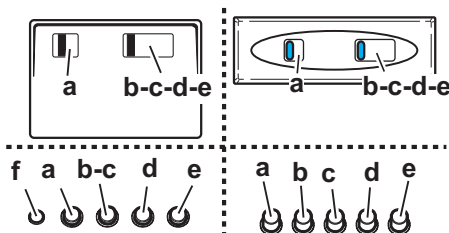
The electrical tension must correspond to the tension noted on the label placed inside the cooker hood. Connect the electrical plug, where provided, to the an easily accessible outlet in conformity with local standards in force.

Where an electrical plug is not provided (for direct connection to electrical network) place a standards approved bipolar switch with an aperture distance of not less than 3mm (accessible) from the contacts.

Operation

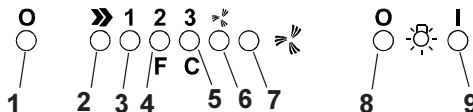
The cooker hood is provided with a key or pushbutton control panel situated of the frontal part of the cooker hood, depending on the basis of the cooker hood type in possession. For proper operation consult the text below and the relative illustration:

- ON/OFF lighting
- OFF motors
- **d** - **e**. Minimum suction power (**c.**), medium (**d.**), maximum (**e.**).
- Operation warning light (where present).



Use the high suction speed in cases of concentrated kitchen vapours. It is recommended that the cooker hood suction is switched on for 5 minutes prior to cooking and to leave in operation during cooking and for another 15 minutes approximately after terminating cooking.

Model with electronic controls



- 1- Motor OFF button
- 2- ON button and motor speed selection button 1 - 2 - 3 - 1 - 2 -
- 3- Speed 1 LED
- 4- Speed 2 LED and metal grease filter saturation LED (in this latter case, the LED will flash - See instructions on grease filter cleaning).
- 5- Speed 3 LED and active carbon filter saturation LED (in this latter case, the LED will flash - See instructions on active carbon filter replacement).

Warning!

The active carbon filter saturation LED is not activated. In order to activate the active carbon filter saturation indicator, press buttons **2** and **7** simultaneously for 3 seconds. Initially, only **LED 4** will flash, then after the 3 seconds have passed, **LED 5** will also start flashing, indicating that the active carbon filter saturation control system is active.

To switch off the system, re-press the same two buttons: after 3 seconds **LED 5** will stop flashing and the device will be switched off.

- 6- Intensive speed LED
 - 7- Intensive speed ON switch
- This speed should be used when the concentration of cooking fumes or odours is particularly strong (for

GB INSTRUCTION ON MOUNTING AND USE

example when frying, cooking fish etc.). The fast speed will run for about 5 minutes and then return to the speed previously set automatically (1, 2 or 3), or switch off if no speed was selected. To turn off the fast speed, before the end of the 5 minutes, press button **1** or button **2** (see page 13).

- 8 - OFF lamp button
- 9 - ON lamp button

If the hood fails to operate correctly, briefly disconnect it from the mains power supply for almost 5 sec. by pulling out the plug. Then plug it in again and try once more before contacting the Technical Assistance Service.

Maintenance

Prior to any maintenance operation ensure that the cooker hood is disconnected from the electrical outlet.

Cleaning

The cooker hood should be cleaned regularly internally and externally.

For cleaning use a cloth moistened with denatured alcohol or neutral liquid detergents. Avoid abrasive detergents.

Warning:

Failure to carry out the basic standards of the cleaning of the cooker hood and replacement of the filters may cause fire risks. Therefore we recommend observing these instructions.

Anti-grease Filter –

If situated inside the support grill, it may be one of the following types:

Paper filter must be replaced once a month or if colouring appears on upper side, in such cases the colouring is evident through the grill openings.

Sponge filter should be washed with hot soapy water once a month and replaced every 5 to 6 washes.

Metallic filter must be cleaned once a month, with non abrasive detergents, by hand or in dishwasher on low temperature and short cycle.

To obtain access to the grease filter **J** open the grill **K** via the hooks **L** and free the grill from the stoppers **M**.

Some models are provided with a **metal filter N without support grill**, this filter should be washed as instructions noted for metallic filter above and is removed from its placing by pushing the handles **O** towards the back and sliding the filter **N** downwards.

When washed in a dish-washer, the grease filter may discolour slightly, but this does not affect its filtering capacity.

Only for model with electronic control panel:

Once the grease filters have been cleaned, press button **1** (see preceding page) for about 3 seconds until you hear the acoustic signal (beep): the **LED 4** will now stop flashing.

Carbon Filter

(2 pieces – only for filter version)

The active carbon filters **E** are not washable nor regenerative. It should be changed every 6 months in normal use.

The active carbon filters capture unpleasant cooking odours.

Apply one on each side covering both grills protecting the motor propeller, then turn the filter central handles **P** clockwise. In order to dismantle turn the central handle **P** anti-clockwise for each filter.

Only for model with electronic control panel:

Once you have replaced the charcoal filter, press button **1** (see preceding page) for about 3 seconds until you hear the acoustic signal (beep).

LED 5 will now stop flashing.

Replacing lightbulbs

Remove the anti-grease filter support grill or the anti-grease filter to attain access to the lightbulb area. Remove the damaged lightbulb and replace with an incandescent oval bulb max. 40W E14.

If the cooker-hood comes with a halogen light, take off its protection by unscrewing (**Z1**) or by removing it (**Z2** lifting with a small flat edged screwdriver). Remove the damaged bulb and substitute it with a max 20W halogen bulb (G4).

Caution

This appliance is designed to be operated by adults. Children should not be allowed to tamper with the controls or play with the appliance.

Do not use the cooker hood where the grill is not correctly fixed! The suctioned air must not be conveyed in the same channel used for fumes discharged by appliances powered by other than electricity. The environment must always be adequately aerated when the cooker hood and other appliances powered by other than electricity are used at the same time. Flambé cooking with a cooker hood is prohibited. The use of a free flame is damaging to the filters and may cause fire accidents, therefore free flame cooking must be avoided. Frying of foods must be kept under close control in order to avoid overheated oil catching fire. Carry out fumes discharging in accordance with the regulations in force by local laws for safety and technical restrictions.