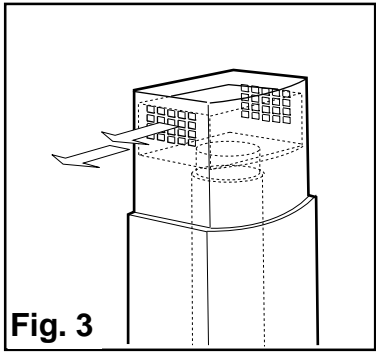
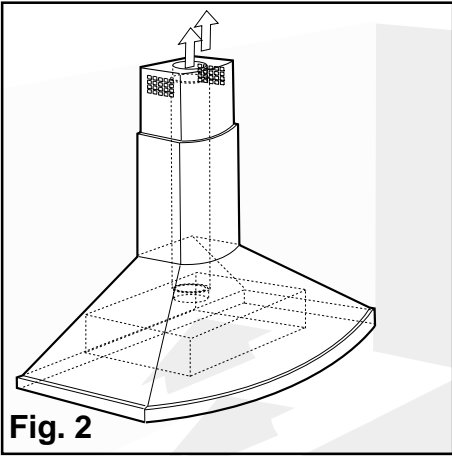
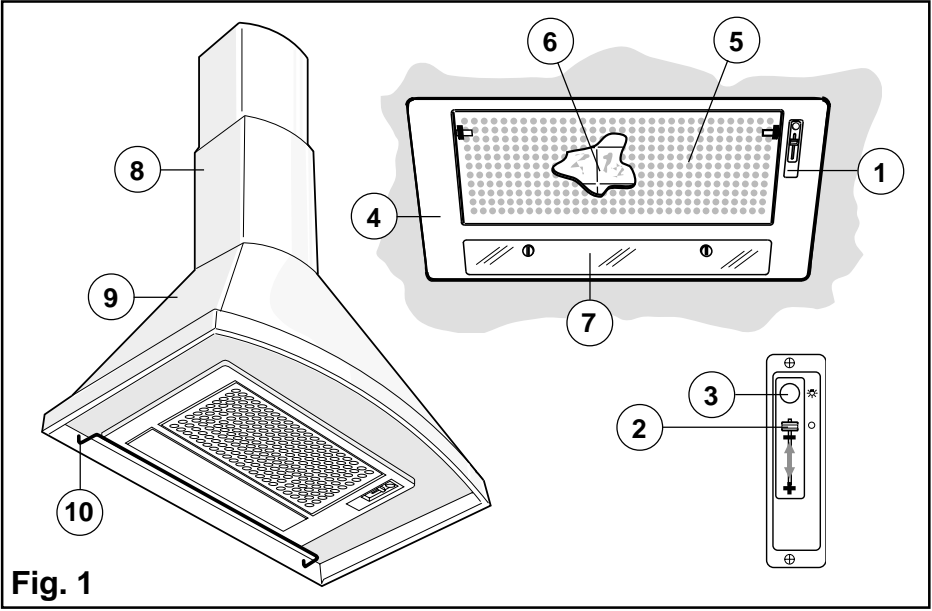
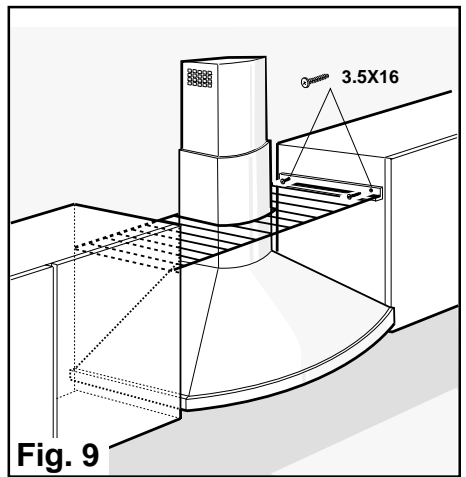
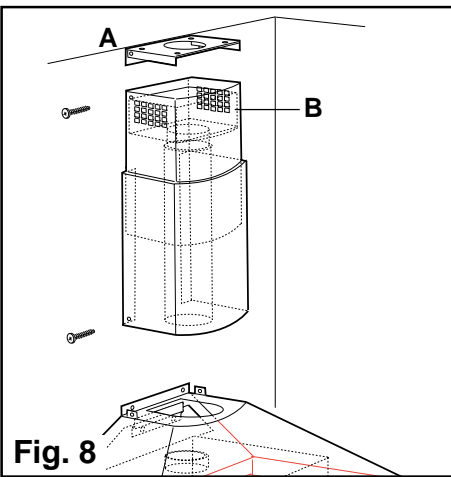
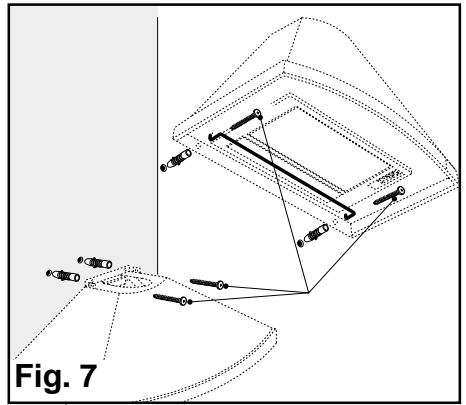
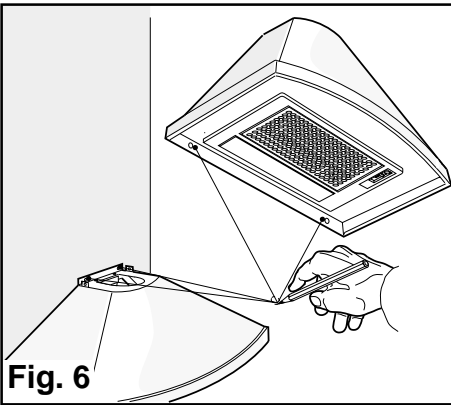
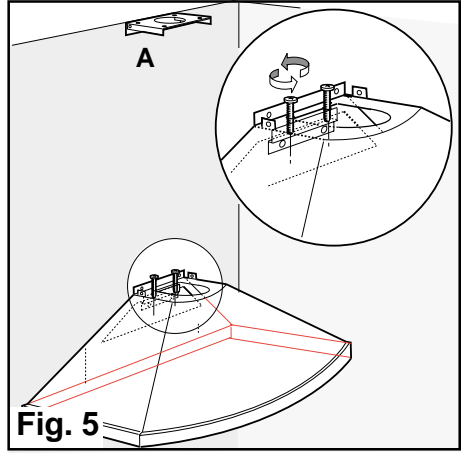
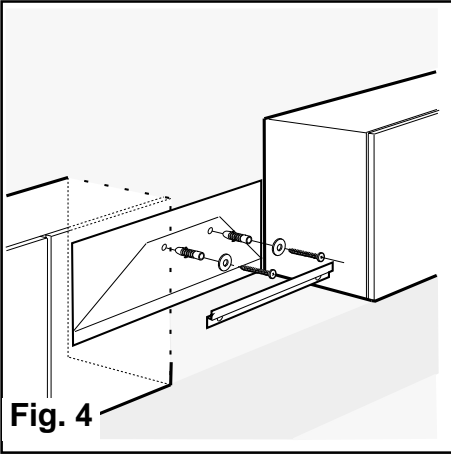
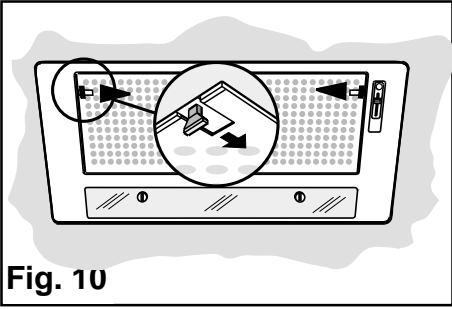


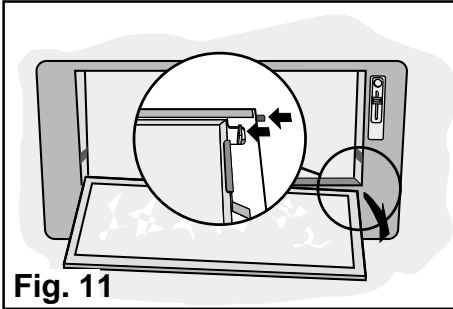
## **Instruction on mounting and use**



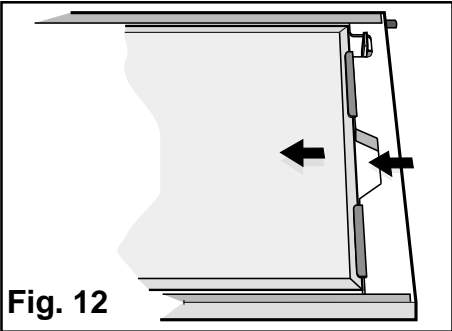




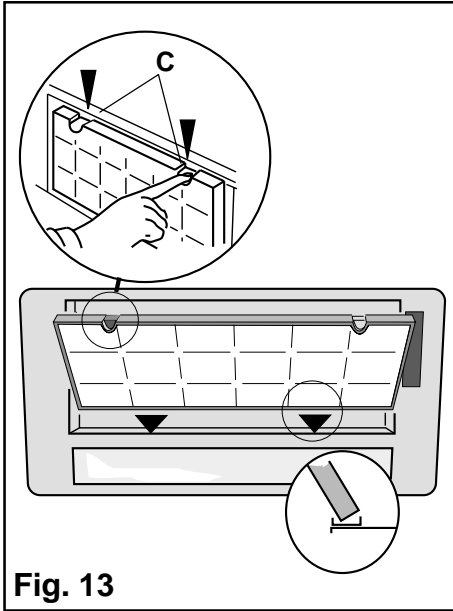
**Fig. 10**



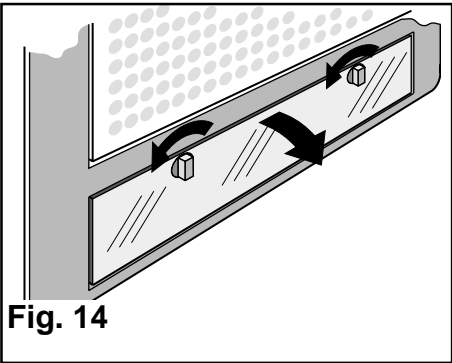
**Fig. 11**



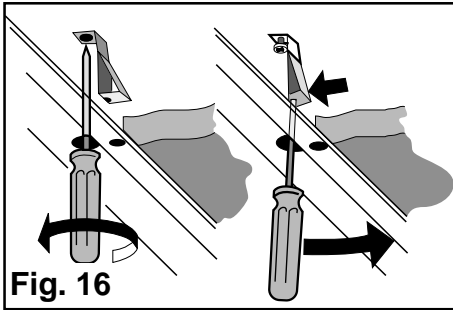
**Fig. 12**



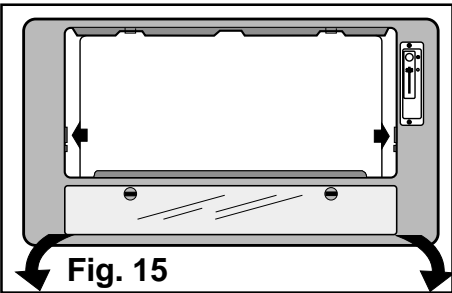
**Fig. 13**



**Fig. 14**



**Fig. 16**



**Fig. 15**

## View of the hood - Fig. 1 -

- 1) Control panel
- 2) ON/OFF & speed regulation slider knob
- 3) Light ON/OFF knob
- 4) Inlet grid housing
- 5) Inlet grid
- 6) Active carbon filter
- 7) Light
- 8) Telescopic chimney
- 9) Hood
- 10) Utensil rack

## Systems available

Two systems are available:

### Exhaust mode

Extracted air is removed via a exhausting pipe connected to the ring fitting on the unit (Fig.2).

### Filter version - Fig. 3

Air is filtered by an active carbon filter and recycled into the room through an outlet grid at the top of the hood.

This is the most convenient version when no flue is available and cannot be easily installed.

If your hood does not come complete with an active carbon filter, ask your dealer or after sales service to provide one if you wish to use your hood as a filter version hood. Always specify the model of your hood when ordering filters.

Proceed as follows to fit the active carbon filter:

- Remove the two grease filters (Fig. 10).
- Fit the active carbon filter to its seat first at the rear and then at the front. Lock it in position with the two locking devices (red buttons) on the filter (Fig. 13,C).

## Installation

When installed the hood must be not less than 65 cm. above electric burners or 70 cm. above gas or mixed-fuel burners.

In the exhaust mode the fumes exhausting pipe must be 120 mm. in diameter.

The exhausting pipe may be directed towards the ceiling or towards the wall behind the hood. In the horizontal runs the exhausting pipe must be slightly slanted (about 10°) and directed upwards to vent the air easily from the room to the outside.

Do not tile, grout or silicone this appliance to the wall. Surface mounting only.

Do not fix chimney flue to furniture or fly over shelves unless the chimney flue can be easily removed, in case maintenance is ever required.

## Electric connection

Before completing any connection, make sure the house voltage corresponds with the voltage indicated on the label affixed inside the hood. It is advisable to call a qualified technician to make the electrical connection.

### Appliance fitted with plug.

Connect it to a socket which conforms with current regulations.

If you intend to connect it directly to the electric mains, remove the plug and fit an approved bipolar switch with a minimum contact opening of no less than 3mm.

If the plug is not accessible once it has been inserted in the socket, it will however be necessary to fit an approved bipolar switch with a minimum contact opening of no less than 3mm.

### Appliance without plug

Fit an approved plug or an approved bipolar switch with a minimum contact opening of not less than 3mm.

The manufacturers are not liable for any problems caused by the user's failure to observe the above instructions.

## Installing the hood

- Align the bottom edge of the drilling template with the bottom edge of the hood and drill two 8 mm diameter holes (Fig.4).
- Fit two anchor plugs in the holes drilled (Fig.4).
- Fix the hood alignment bracket with two 5x45 mm screws (Fig.4).
- Hang the hood on the bracket and level it off using the adjuster screws at the side behind the outlet hole (Fig.5).
- Once the hood is correctly aligned, mark the final position of the top and bottom fixing holes with a pencil (Fig.6). Also measure the distance between the ring fitting and the point on the wall through which the exhausting pipe is going to pass in order to determine to overall length of the flue.
- Fix the telescopic chimney top support (A, Figs. 5-8) to the wall behind the hood and/or to the ceiling perpendicular to the hood. This requires the drilling of four diameter 8 mm holes. Fit anchor plugs and fix the support in place with four 5x45 screws.

### For filter hood only (with active carbon filter)

Fit the fume deflector under the telescopic chimney support using two screws (B, Fig.8). The deflector channels filtered air back into the room.

- Remove the hood from the alignment bracket and drill four diameter 8 mm holes at the points marked. Fit anchor plugs (Figs. 6-7).
- Before fixing the hood to the wall, secure a suitable length of flue to the extractor fan fitting and pass it through the hood outlet.
- Fix the hood to the wall using four screws, two at the top and two at the bottom (Fig.7). Note that the screws at the bottom also secure the utensil rack.
- Connect up the exhausting pipe to the outdoor outlet (extractor version) or to the filtered air deflector (filter version).
- Finally, insert four screws in the top and bottom holes on either side of the telescopic chimney section and fix it in place (Fig.8).

### Installing the shelf (optional) - Fig. 9

Fix the four side supports at the height desired and simply rest the shelf on them.

## Operating the hood

The hood is fitted with a multi-speed suction fan. It is advisable to switch on the extractor hood a few minutes before starting cooking and then to leave it running for approximately 5 minutes afterwards to ensure that all odours are extracted. Use the slow speed in normal conditions and the fast speed with heavy fumes or odours.

### Warning!

- The hood cannot be connected to exhausting pipes of other appliances that run on energy sources other than electricity.
- When the hood is used at the same time of other appliances that run on energy sources other than electricity, provision must be made for an adequate supply of air.
- No food must be cooked flambé underneath the hood.  
The use of an unprotected flame is dangerous for the filters and could cause fires. Therefore, never use an open flame under the hood. When frying foods, never leave the pan alone because the cooking oil could flare up.

- Please, keep to the provisions of official directives regarding the question of fume discharge.
- The manufacturers refuse to accept any responsibility for damage to the hood or its catching on fire because of failure to observe the above instructions.

### Suggestions for the installation and use of the hood

- The best performance of the unit is obtained in the external exhaust model (suction), therefore in the limits of the possibilities it is advised to use the external exhaust (exhaust mode) type.
- The best performances are obtained with short pipes (max. 4 m) and with few curves.

## Maintenance

Before performing any maintenance operation, isolate the hood from the electrical supply by switching off at the connector and removing the connector fuse.

Or if the appliance has been connected through a plug and socket, then the plug must be removed from the socket.

### Cleaning the grease filters

At suitable intervals wash the metal grease filter either in a dishwasher or by hand using warm water and detergent. Once a month is enough for normal use. Take care not to squash the grille slits on the filter.

Proceed as follows to remove the grease filter:

- a) Pull the two lock tabs inwards to release the grease filter grille (Fig.10).
- b) Release the locking devices (Fig.11) and remove the inlet grid that holds the metal grease filter.
- c) Remove the metal grease filter (Fig.12).

Simply reverse the above operations to replace the filter.

## Replacing the active carbon filter (Fig.13 - Only for filter version)

With normal use the active carbon filter need only be replaced once every 6 months. Active carbon filter cannot be washed or recycled.

Proceed as follows to replace the active carbon filter:

- a) Remove the inlet grid.
- b) Push on the two locking tabs on the active carbon filter and pull the old filter out from its seat first at the front and then at the back.
- c) Reverse the above steps to fit the new active carbon filter.
- d) Replace the grease filter grille.

## Replacing the light - Fig.14

- a) Disconnect the appliance from the mains.
- b) Turn the lock knobs anticlockwise to open the light compartment.
- c) Remove the old lamp.
- d) Fit the new lamp and re-close the light compartment.

Warning! Use maximum 40W (E14) incandescent bulbs or 9W or 11W PL lamps or 14W neon lamps, depending on the type of light appliance with which your hood is fitted.

Neon appliances are fitted with removable starters.

Make sure that new lamps comply with the maximum voltage specification printed near the lamp socket.

## Cleaning

To clean the outside of the hood use a cloth moistened with denatured alcohol or neutral liquid detergents. Never use products containing abrasive.

Wipe brushed stainless steel in the same direction as the brushing to avoid scratching.

## Attention

Failure to observe the instructions for cleaning the appliance and changing and cleaning the filters may cause fires.

Therefore, we recommend observing these instructions.

## Removing the fan assembly

We recommend you to contact a qualified service organisation to access the fan housing or remove the fan assembly.

This operation is performed as follows:

- a) Disconnect the appliance from the mains power.
- b) Remove the inlet grid.
- c) Press on the two locking tabs to remove the inlet grid housing (Fig.15).
- d) Remove the four frame fixing screws.
- e) Slacken off the two fixing clip securing screws (Fig.16).
- f) Push two screwdrivers into the holes in the clips (left and right) and pull both sides inwards (Fig.16).
- g) Remove the extractor assembly from the hood unit.

### Caution!

When removing the fan assembly, take care not to damage the extractor flue connecting the fan assembly to the outdoor outlet (in extractor hoods) or to the air deflector (in filter hoods). Also take care not to damage the fan power cable.