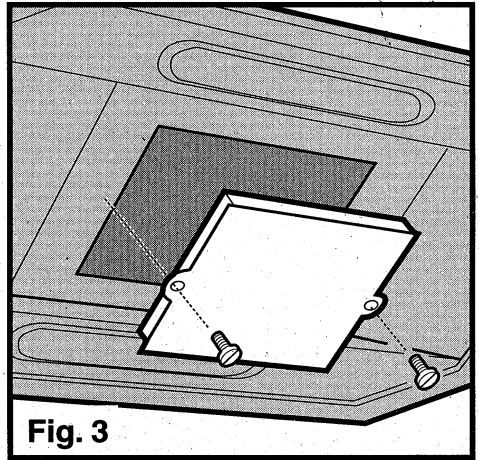
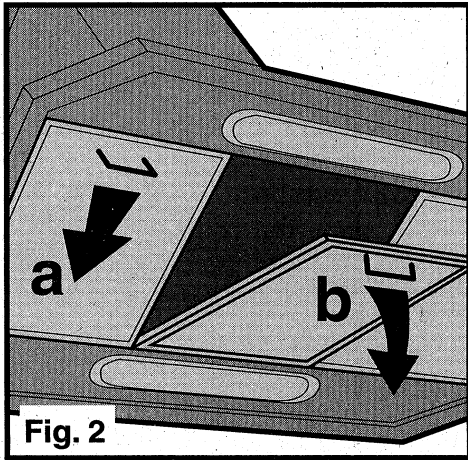
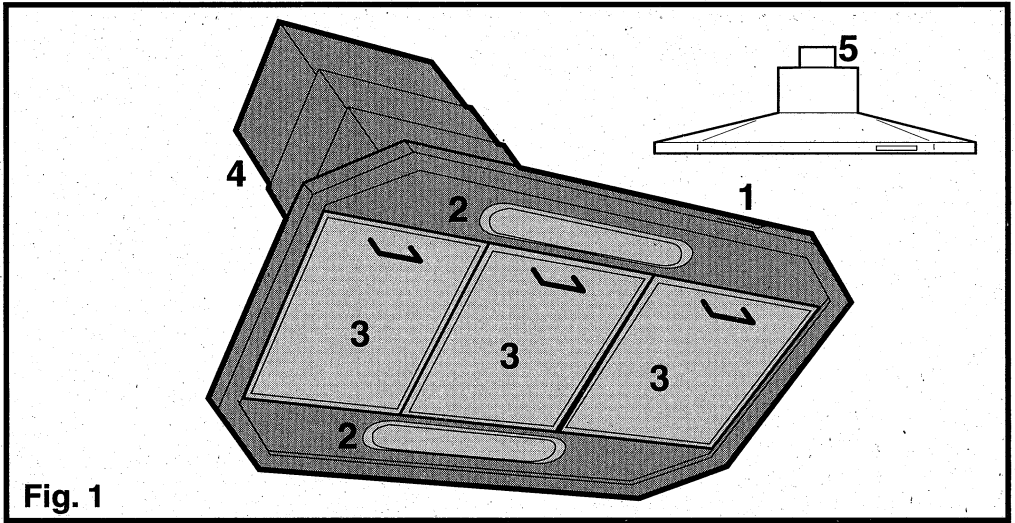


Instructions for using and mounting the cooker hood



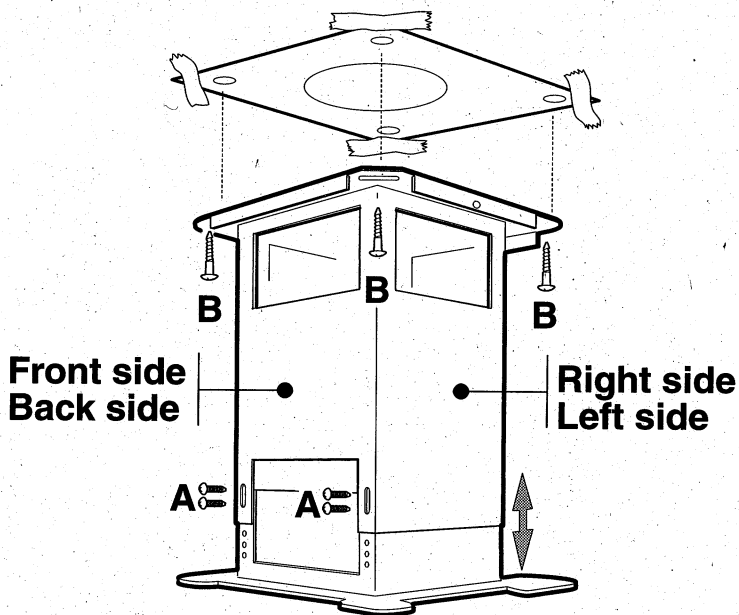


Fig. 5

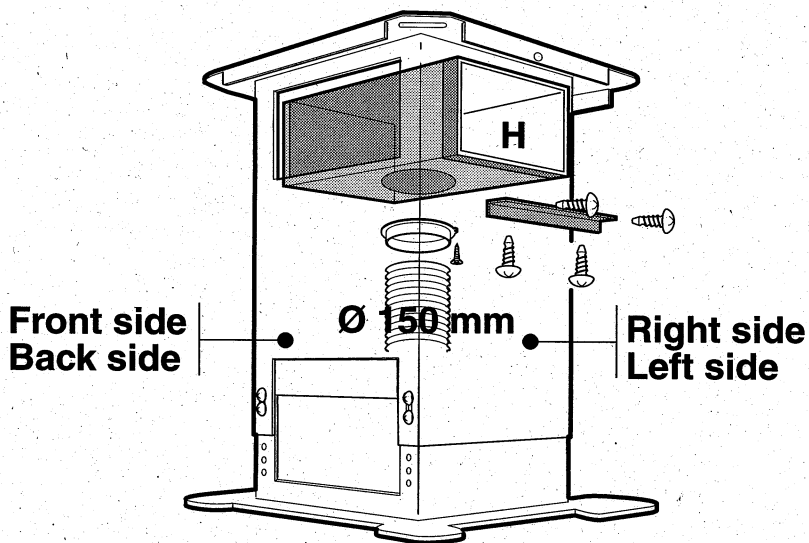
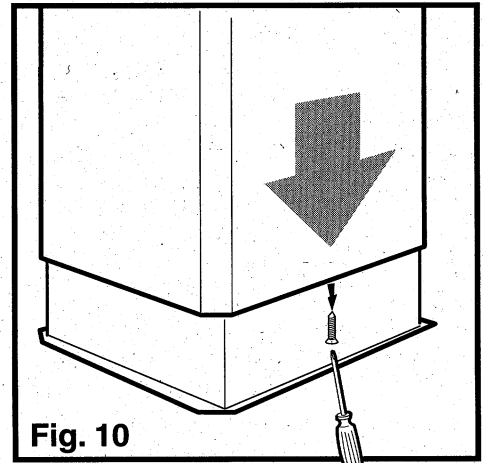
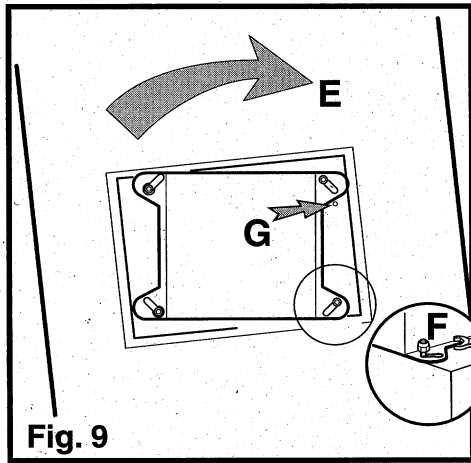
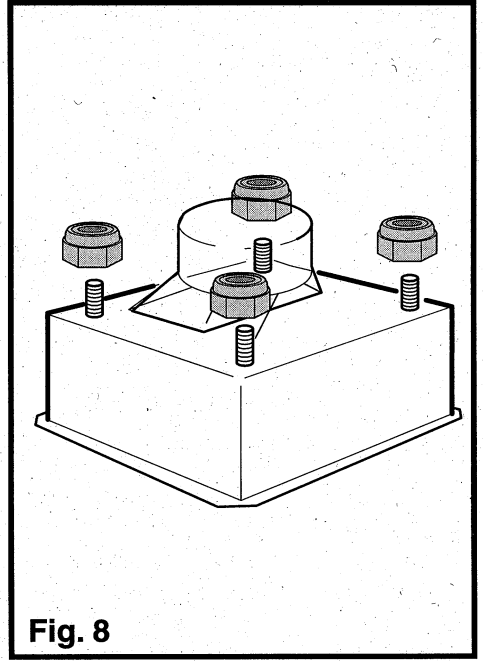
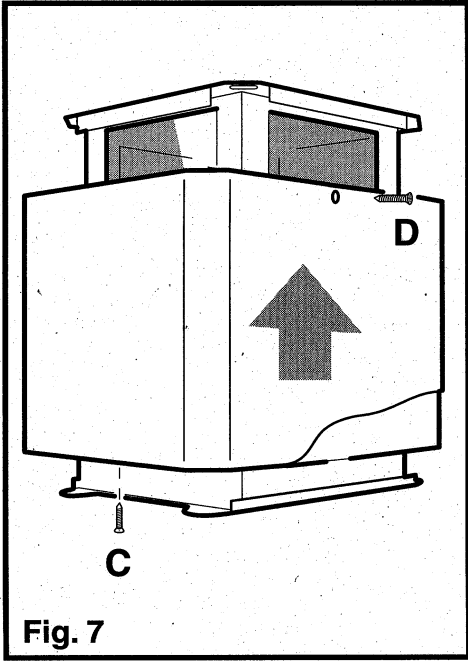


Fig. 6



View of the hood - Fig. 1

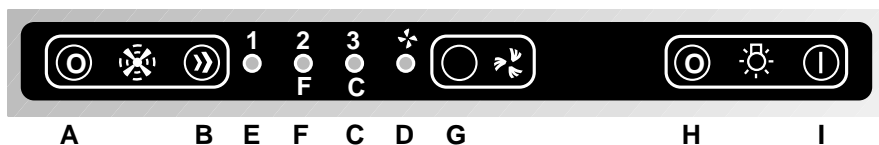
1. Control panel
2. Work light
3. Metal grease filters
4. Telescopic chimney
5. Connection ring

Use of the hood

It is advisable to switch on the extractor hood a few minutes before starting cooking and then to leave it running for approximately 5 minutes afterwards to ensure that all odours are extracted.

On the front part of the appliance there are the control switches, which change according to the type of hood.

CONTROL PANEL



- A - Motor OFF button
- B - On button and motor speed selection button 1 - 2 - 3 - 1 - 2 -
- E - Speed 1 LED
- F - Speed 2 LED and grease filter saturation LED (flashes)
- C - Speed 3 LED and carbon filter saturation LED (flashes)
- D - Intensive speed LED
- G - Intensive speed ON switch
This speed should be used when the concentration of cooking fumes or odours is particularly strong (for example when frying, cooking fish etc.).
The fast speed will run for about 5 minutes and then return to the speed previously set automatically (1, 2 or 3), or switch off if no speed was selected. To turn off the fast speed, before the end of the 5 minutes, press button A or button B.
- H - OFF lamp button
- I - ON lamp button

If the hood fails to operate correctly, briefly disconnect it from the mains power supply for almost 5 sec. by pulling out the plug. Then plug it in again and try once more before contacting the Technical Assistance Service.

Maintenance

Before performing any maintenance operation, disconnect the hood from the electricity.

Metal grease filter

The metal grease filter lasts forever and must be washed either by hand or in the dishwasher (60°C) with suitable detergents.

The grease filters must be washed at least once a month and anyhow whenever the grease filter saturation led indicates the saturation of the filter.

Grease filter saturation led

The led marked F warns you when the grease filter needs to be cleaned.

This LED flashes to warn you that the grease filters must be cleaned.

Generally, these must be cleaned after 40 hours of use. Read the maintenance instructions provided for the grease filters.

Once the grease filters have been cleaned, press button A and button H at the same time (see page 2) for about two seconds until you hear the acoustic signal (beep): the grease filter saturation led F will now stop flashing.

Let the filter dry without damaging it before putting it back into place.

To remove the metal grease filter - Fig. 2:

1. Disconnect the hood from the electricity.
2. **a** - push backwards
b - pull downwards.

Carry out the above steps in reverse order to put the filters back after having washed them.

Carbon filter

("recirculation mode only", see next pages)

The carbon filter cannot be washed nor regenerated.

The carbon filter should be replaced every 6 months under normal use and anyhow whenever the carbon filter saturation led indicates the saturation of the filter.

Carbon filter saturation led

The led marked **C** indicates carbon filter needs to be replaced.

This led flashes to warn you that the carbon filter must be replaced.

This must be done after approximately 160 hours of use. Read the instructions reported below for replacing the carbon filter.

Once you have replaced the carbon filter, press button **A** and button **B** together for about two seconds (see page 2) until you hear the acoustic signal (beep).

The carbon filter saturation led **C** will now stop flashing.

N.B.: the carbon filter saturation led will also flash even if the hood is used in the exhausting version (i.e. without carbon filter).

To stop the led flashing, press the two buttons as described above.

To fit the carbon filter - Fig. 3:

1. Disconnect the hood from the electricity.
2. Remove the metal filters.
3. Fit the carbon filter and fix it to the body of the hood with two supplied screws
4. Put the metal filter back into place.

To replace the carbon filter - Fig. 3:

1. Disconnect the hood from the electricity.
2. Remove the metal filters.
3. Remove the old carbon filter and replace it.
4. Put the metal filter back into place.

Cleaning

To clean the outside of the hood use a cloth moistened with denatured alcohol or neutral liquid detergents. Never use products containing abrasives.

Wipe brushed stainless steel in the same direction as the brushing to avoid scratching.

Attention

Failure to observe the instructions for cleaning the appliance and changing and cleaning the filters may cause fires.

Therefore, we recommend observing these instructions.

Replacing the lamp - Fig. 4

1. Disconnect the hood from the electricity.
2. Remove the screw that fix the lamp cover.
3. Remove the faulty lamp.
4. Fit a new lamp; use only PL lamp 9watt max. Before calling for repair service because the hood fails to light up, make sure the lamps are well inserted.

Attention!

This appliance is designed to be operated by adults. Children should not be allowed to tamper with the controls or play with the appliance.

Do not use the cooker hood where the grill is not correctly fixed! The suctioned air must not be conveyed in the same channel used for fumes discharged by appliances powered by other than electricity. The environment must always be adequately aerated when the cooker hood and other appliances powered by other than electricity are used at the same time. Flambé cooking with a cooker hood is prohibited. The use of a free flame is damaging to the filters and may cause fire accidents, therefore free flame cooking must be avoided. Frying of foods must be kept under close control in order to avoid overheated oil catching fire. Carry out fumes discharging in accordance with the regulations in force by local laws for safety and technical restrictions.

The manufacturers refuse to accept any responsibility for damage to the hood or its catching on fire because of failure to observe the above instructions.

INSTALLATION

These distances between hobs and grease filter must be observed:

Minimum 65 cm - electric hobs

Minimum 70 cm - gas or mixed hobs

Diameter of exhaust hoses - Ø 150 mm.

Do not tile, grout or silicone this appliance to the wall. Surface mounting only. Do not fix chimney flue to furniture or fly over shelves unless the chimney flue can be easily removed, in case maintenance is ever required.

Electric connection

Before completing any connection, make sure the house voltage corresponds with the voltage indicated on the label affixed inside the hood

It is advisable to call a qualified technician to make the electrical connection.

Connect the electrical plug, where provided, to the an easily accessible outlet in conformity with local standards in force. Where an electrical plug is not provided (for direct connection to electrical network) place a standards approved bipolar switch with an aperture distance of not less than 3mm (accessible) from the contacts.

The manufacturers are not liable for any problems caused by the user's failure to observe the above instructions.

Systems available

Two systems are available:

- Exhaust mode
- Recirculation mode

Exhaust mode

Vapors are extracted outside through an exhausting pipe that is affixed to the connection ring above the hood.

Diameter of the exhausting pipe must be equal to that of the connection ring.

Attention! If the hood is supplied with carbon filter, then it must be removed.

Recirculation mode

The air is filtered through a carbon filter and recirculated into the room through the grid on the higher part of the chimney.

Attention!

If the hood is not supplied with carbon filter, then it must be ordered and mounted.

Mounting the Hood

1. Using the drilling template provided, drill holes into the ceiling as indicated on the template itself - Fig. 5.
2. First, place the expandable support structure in the right direction. Keep in mind that the rectangular holes in the bottom part of them structure correspond to the back and front (control side) sides of the hood.
3. The two sections of the structure must be fastened with eight "A - 4x9,5" screws - Fig. 5.
Keep in mind that the height of the hood is 293 mm and that there must be a minimum space of 650 mm between the hood and the cooking surface when using electric hot-plates and 750 mm when using gas burners or a combination of gas and electric burners.
4. Prepare the electrical connection.

Choose how to use the hood:

Exhaust mode

- 5a. Install a flexible ventilation pipe, inserting into the vent hole in the ceiling. The flexible ventilation pipe must be long enough to reach the connection ring above the hood once the hood is fastened to the support structure.

Recycling mode

- 5b. Slide the deflector "H" into one of the holes on the top section of the support structure - Fig. 6.

Attention!

The deflector "H" must pass through the top rectangular holes from the right or the left side.

6. Fasten the deflector "H" with the bracket and four

screws 2,9x6,5 provided - Fig. 6. On the opposite side of the deflector there is another bracket (already welded to the deflector); fasten it to the support structure with two screws 2,9x6,5.

7. From the bottom of the support structure, fasten the connection ring (bayonet system - turn in the clockwise direction and fasten it securely with a screw - 2,9x9,5) to the deflector - Fig. 6.
8. Fasten a flexible ventilation pipe with a diameter of 150 mm to the connection ring mounted on the deflector - Fig. 6. The flexible ventilation pipe must be long enough to reach the connection ring on the hood once the hood is in place.

For both versions

1. Fasten the support structure to the ceiling with four screws (and wall dowels) "B - 5x45" - Fig. 5.
The hood is equipped with all of the necessary equipment for installation with most ceilings. However, in any case, it is advisable to consult a qualified technician so as to select the best installation method for the hood.
2. Temporarily fasten the top, middle, and bottom parts of the duct together with a screw "C - 2,9x9,5" - Fig. 7.
3. Fasten the top part of the duct to the support structure with two screws (D - one on the right side and one on the left - 3,5x9,5) - Fig. 7.
4. Put four locknuts on the four outside screw on the top part of the hood - Fig. 8.
5. Temporarily fasten the hood to the support structure with the screws and nuts indicated previously by inserting them in the appropriate holes on the bottom part of the support structure. Turn the hood until it stops (E) - Fig. 9.
6. Tighten the nuts "F" completely - Fig. 9.
7. Fix the hood with a screw (G - 4x9,5) - Fig. 9.
8. Make the electrical connection.
9. Connect the exhaust pipe to the connection ring of the hood.
10. Remove the screw which joins the three parts of the duct - Fig. 10.
11. Slide the bottom and middle parts of the duct downward and insert the bottom part into its seat on the top part of the hood - Fig. 10.

