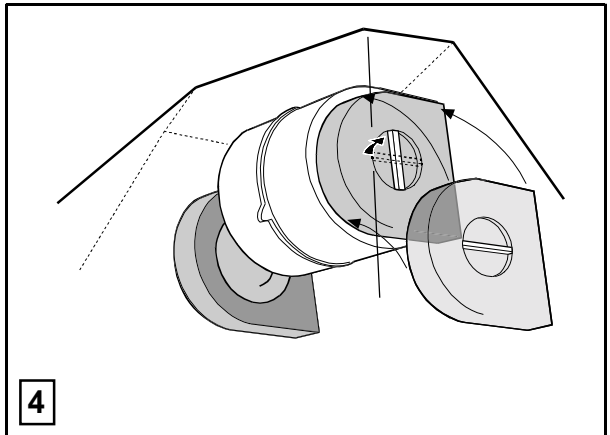
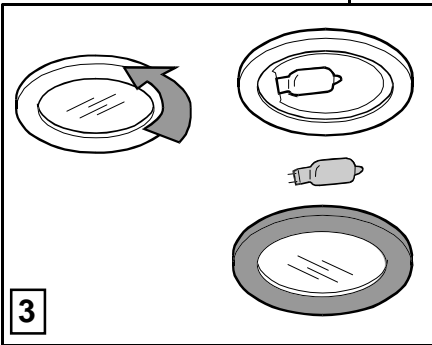
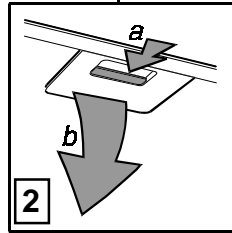
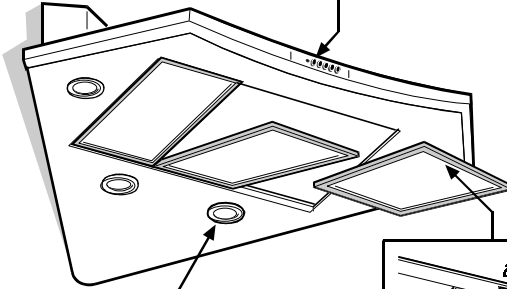
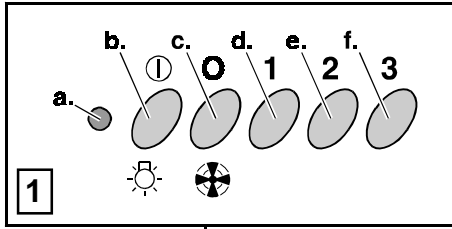
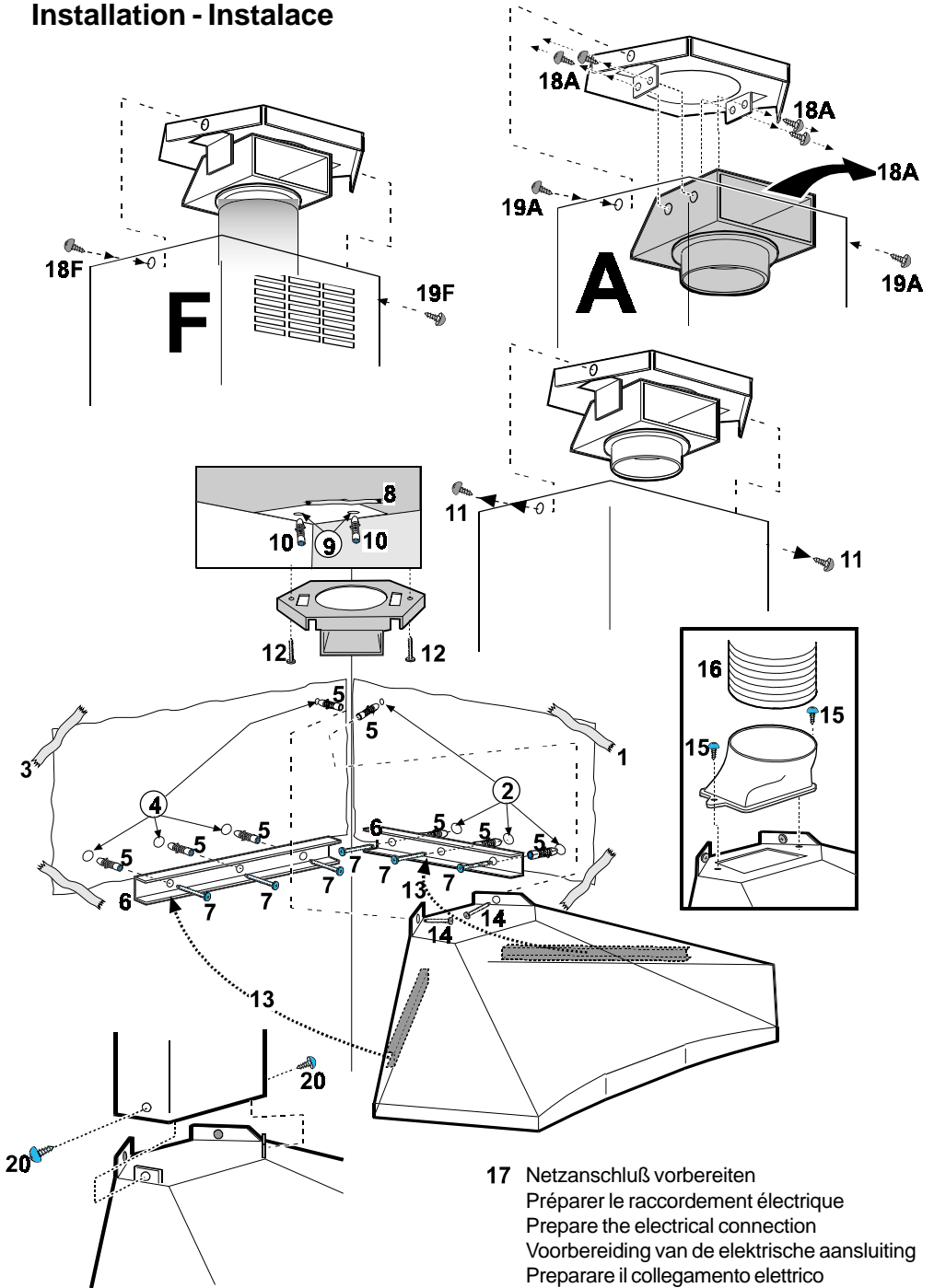


Ⓞ Instructions on mounting and use



Installation - Instalace



- 17 Netzanschluß vorbereiten
 Préparer le raccordement électrique
 Prepare the electrical connection
 Voorbereiding van de elektrische aansluiting
 Preparare il collegamento elettrico
 Preparar la conexión eléctrica
 Prepare a ligação eléctrica
 Připravte elektrické připojení

Use of the kitchen hood

- The kitchen hood is equipped with a multistage fan.

Control panel - Fig. 1

- Indicator light
 - Lighting on/off button
 - Hood on/off button
 - e. f.** Button used to adjust working speed 1 (**d.**), 2 (**e.**), 3 (**f.**)
- For best performance, you are advised to use speed one or two in normal conditions, and speed three in the presence of high levels of vapour.
 - Lighting improves visibility in the cooking area, and should therefore be used.
 - It is recommended that you turn the hood on a few minutes before you start cooking, and keep it switched on for at least 5 minutes after you finish.

Use: Two systems are available

Exhaust mode (A)

Vapours are extracted outside through an exhausting pipe that is affixed to the connection ring above the hood.

Diameter of the exhausting pipe must be equal to that of the connection ring.

In the horizontal runs the duct must be slightly slanted (about 10°) and directed upwards to vent the air easily from the room to the outside.

Attention!

If the hood is supplied with carbon filter, then it must be removed.

Filter version (F)

The air is filtered through a carbon filter (for its installation see paragraph "Carbon filter") and recirculated into the room through the grating on the lower side of the chimney.

Attention!

If the hood is not supplied with carbon filter, then it must be ordered and mounted.

This version is used when there is no exhaust duct for venting outdoors or when it is impossible to install one.

Installation

Do not tile, grout or silicone this appliance to the wall. Surface mounting only.

Do not fix chimney flue to furniture or fly over shelves unless the chimney flue can be easily removed, in case maintenance is ever required. This cooker hood is designed to be installed onto a corner of a kitchen.

When installed, the distance between hood and burners must be not less than 65 cm. above electric burners or 75 cm. above gas or mixed-fuel burners.

Electric connection

Before completing any connection, make sure the house voltage corresponds with the voltage indicated on the label affixed inside the hood. It is advisable to call a qualified technician to make the electrical connection.

Appliance fitted with plug.

Connect it to a socket which conforms with current regulations.

If you intend to connect it directly to the electric mains, remove the plug and fit an approved bipolar switch with a minimum contact opening of no less than 3mm.

If the plug is not accessible once it has been inserted in the socket, it will however be necessary to fit an approved bipolar switch with a minimum contact opening of no less than 3mm.

Appliance without plug

Fit an approved plug or an approved bipolar switch with a minimum contact opening of not less than 3mm.

The manufacturers are not liable for any problems caused by the user's failure to observe the above instructions.

Warning!

- The hood cannot be connected to flues of other appliances that run on energy sources other than electricity.
- When the hood is used at the same time of other appliances that run on energy sources other than electricity, provision must be made for an adequate supply of air.
- No food must be cooked flambé underneath the hood.
The use of an unprotected flame is dangerous for the filters and could cause fires.

Therefore, never use an open flame under the hood. When frying foods, never leave the pan alone because the cooking oil could flare up.

- Please, keep to the provisions of official directives regarding the question of fume discharge.
- The manufacturers refuse to accept any responsibility for damage to the hood or its catching on fire because of failure to observe the above instructions.

Maintenance

Before performing any maintenance operation, isolate the hood from the electrical supply by switching off at the connector and removing the connector fuse.

Or if the appliance has been connected through a plug and socket, then the plug must be removed from the socket.

Metal grease filter (2 or 3 pieces)

This holds back suspended grease particles. This has an unlimited life-span, and must be washed once a month using hot water and a detergent or, if possible, in the dishwasher (**65°C**). Discolouring of metal filters: Metal filters washed in a dishwasher may discolour.

Always wait until it is completely dry before replacing.

To extract the metal grease filter, merely push backwards, tilt downwards and extract (fig. 2). Take care not to damage the filter when you are extracting it.

After washing, replace by repeating the above operations in reverse.

Replacing the bulb

- a) Disconnect the unit from the power supply.
- b) Unscrew the glass cover (fig. 3)
- c) Remove the used bulb.
Only use halogen bulbs of max. 20W.
- d) Replace the glass cover
- e) Should the bulb fail to light, ensure that it is properly fitted before calling for the assistance of a service technician

Activated charcoal filter (2 pieces)

This is used to dissolve fumes produced during cooking.

The activated charcoal filter cannot be washed or regenerated.

The activated charcoal filter must be replaced at least once every 4 months.

Fitting and replacing the activated charcoal filter:

- a) Disconnect the unit from the power supply.
- b) Remove the metal grease filter (fig. 2).
- c) If no filter is fitted, install one filter on each side to cover the two grilles protecting the motor fan; then turn the central handle of the filter in a clockwise direction (fig. 4).
- d) If activated charcoal filters are already fitted (two filters covering the grilles protecting the motor fan), and need to be replaced, turn the central handle in an anti-clockwise direction until the filters are released.
- e) Replace the metal grease filters.

Cleaning

To clean the outside of the hood use a cloth moistened with denatured alcohol or neutral liquid detergents. Never use products containing abrasive.

Wipe brushed stainless steel in the same direction as the brushing to avoid scratching.

Clean the external surface of the cooker hood almost once every 10 days.

Attention

Failure to observe the rules for cleaning the appliance and changing and cleaning the filters may cause fires.

Therefore, we recommend observing these instructions.