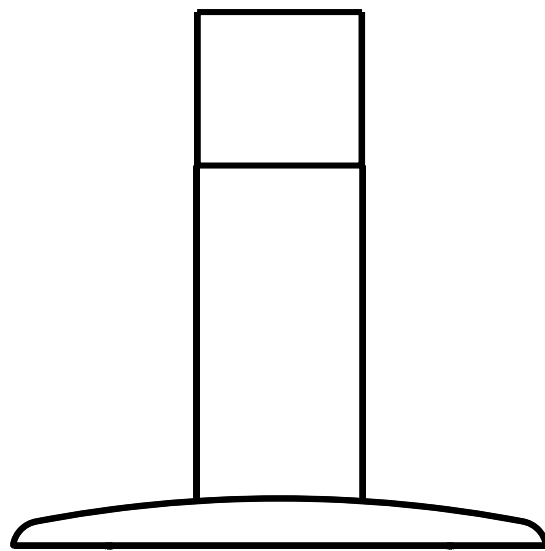
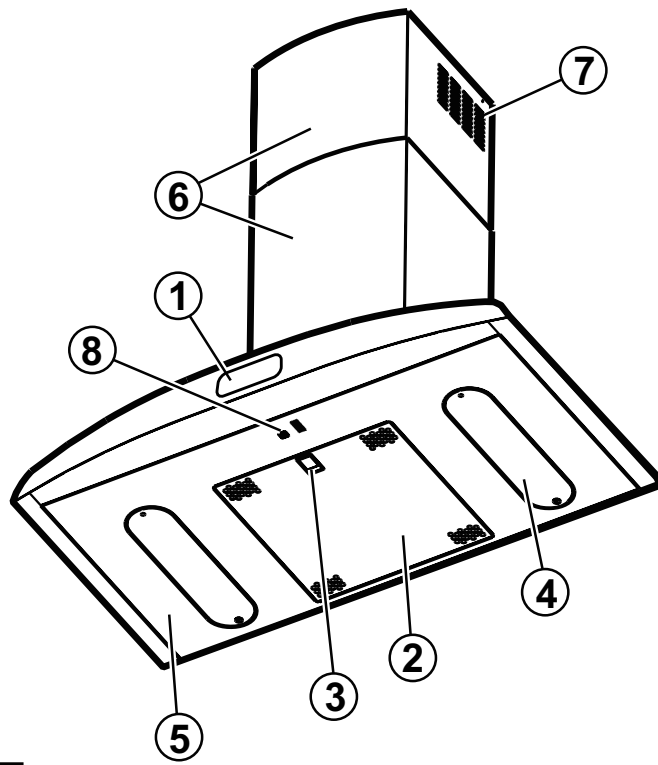


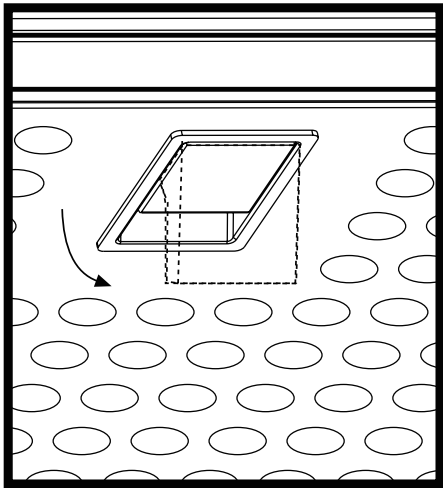
Capta meteo Capta AST

Design Team Elica

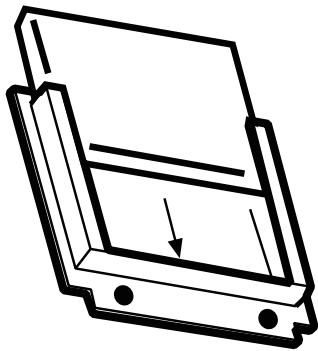




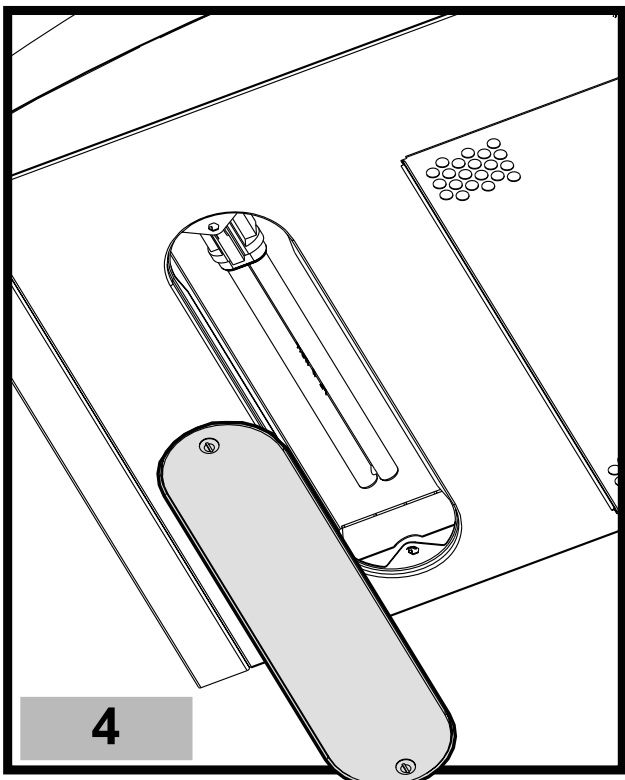
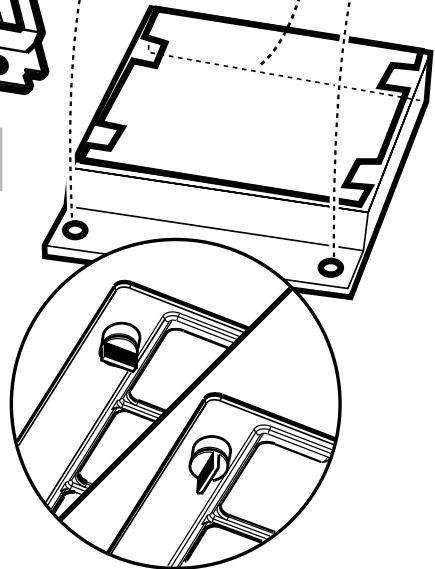
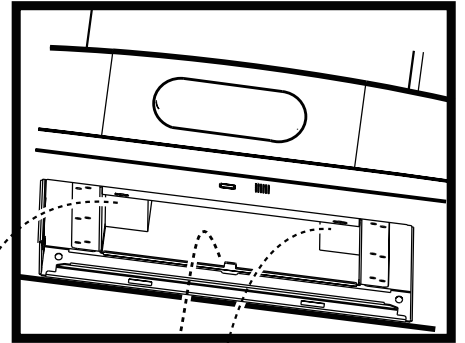
1



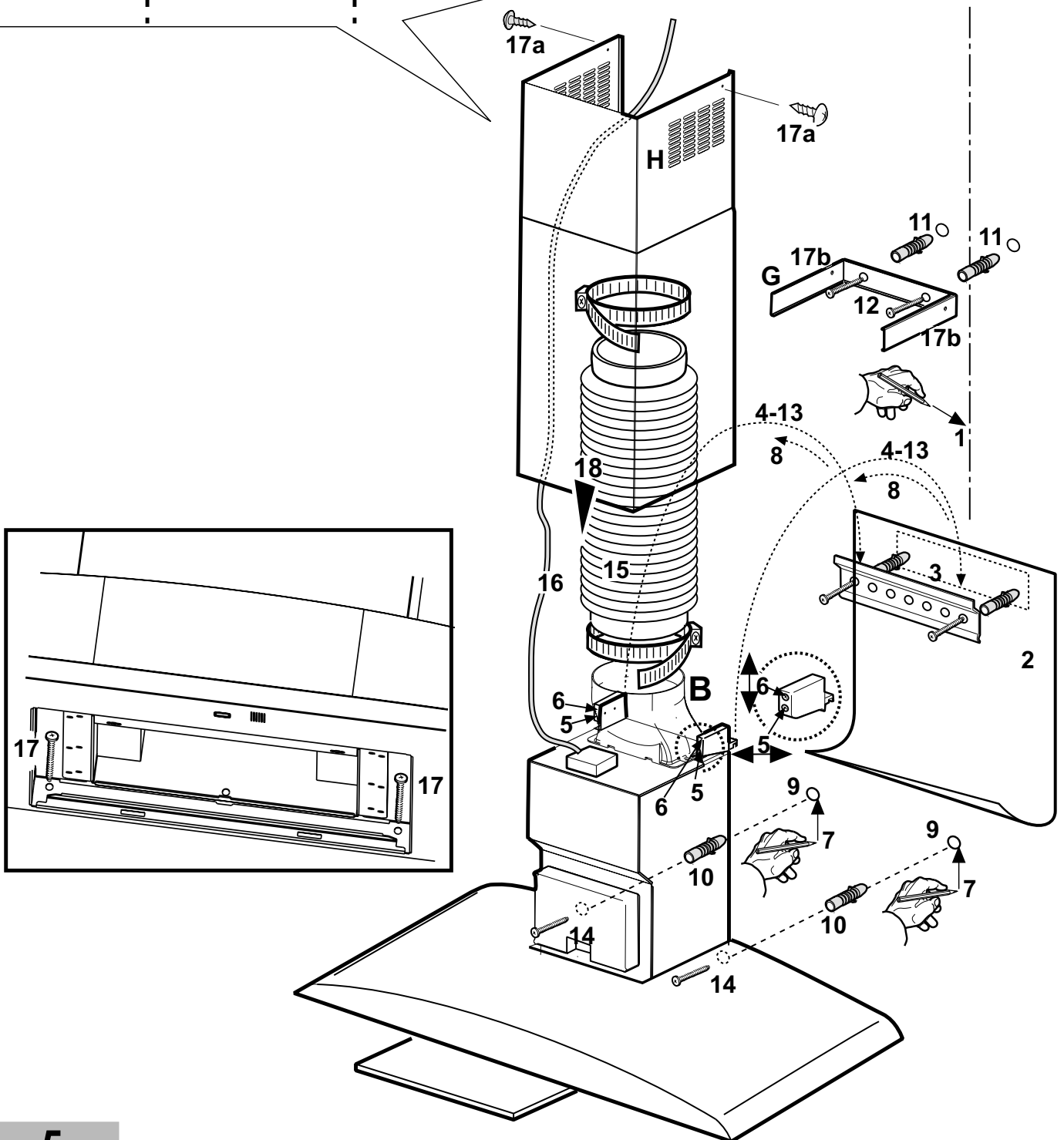
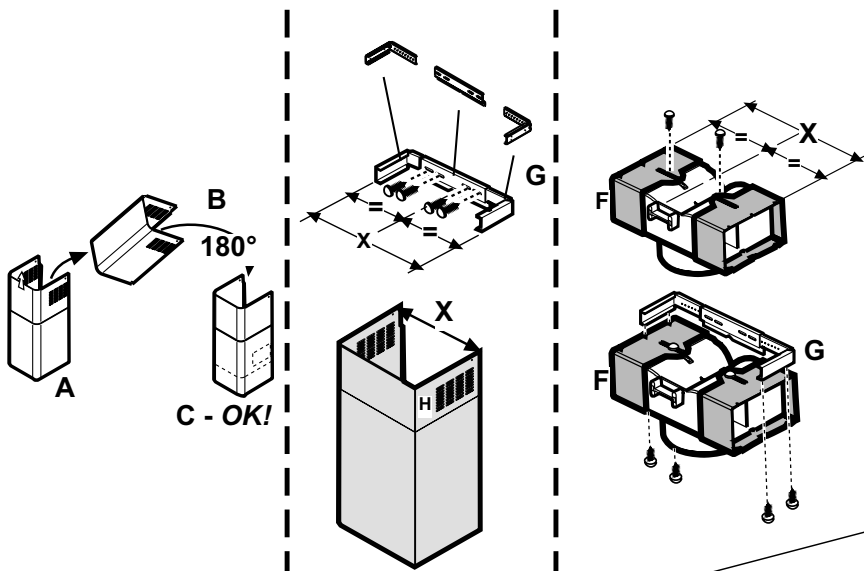
2



3



4



Consult the designs in the front pages referenced in the text by alphabet letters. Closely follow the instructions set out in this manual. All responsibility, for any eventual inconveniences, damages or fires caused by not complying with the instructions in this manual, is declined.

The cooker hood must be placed at a minimum distance of 50 cm from the cooking plane for electric cookers and 75 cm for gas or mixed cookers.

The hood can be installed above these heights but for optimum performance it should be installed at the distance quoted for the appropriate heat source.

Do not tile, grout or silicone this appliance to the wall. Surface mounting only.

The hood is equipped with a top air outlet **B** for discharge of fumes to the outside (**Ducting version** – exhaust pipe and pipe fixing clamps not provided).

Should it not be possible to discharge cooking fumes and vapour to the outside, the hood can be used in the **filter version**, fitting an activated carbon filter and the deflector **F** on the support (bracket) **G**, fumes and vapours are recycled through the top grille **H** by means of an exhaust pipe connected to the top air outlet **B** and the connection ring mounted on the deflector **F** (exhaust pipe and pipe fixing clamps not provided).

The models with no suction motor only operate in ducting mode, and must be connected to an external suction device (not supplied).

Expansion wall plugs are provided to secure the hood to most types of walls/ceilings. However, a qualified technician must verify suitability of the materials in accordance with the type of wall/ceiling. The wall/ceiling must be strong enough to take the weight of the hood.

Do not tile, grout or silicone this appliance to the wall. Surface mounting only.

Installation - Fig. 5

Preliminary information for installation of the hood:

Assembling the chimney flue support/bracket (3 parts)

The three parts should be fixed with 4 screws, the support extension is adjustable and should correspond to the internal width of the telescopic chimney flue.

Disconnect the hood during electrical connection, by turning the home mains switch off.

Assembling the deflector (the deflector should be only for the filter version):

The three parts should be fixed with 2 screws, the deflector extension is adjustable and should correspond to the width of the chimney flue support, to which it is then fixed.

Attention!

The chimney is predisposed for installation of the filter Version.

In certain models where it is required to use the cooker hood in the suction version then it is possible to overturn the upper section of the chimney and insert it inside the lower section of the chimney so that the air-exit perforations are not visible.

- Using a pencil, draw a line on the wall, extending up to the ceiling, to mark the centre. This will facilitate installation.
- Rest the drilling template against the wall: the vertical centre line printed on the drilling template must correspond to the centre line drawn on the wall, and the bottom edge of the drilling template must correspond to the bottom edge of the hood: bear in mind that, when installation is complete, the underside of the hood must be at least 50 cm above the cooker top in the case of electric cookers, and at least 75 cm above the cooker top in the case of gas or mixed cookers.
- Rest the support bracket on the drilling template so that it coincides with the dotted rectangle, mark the two outer holes and drill them, remove the drilling template, insert 2 wall plugs and fix the hood support bracket into place using two 5x45mm screws.
- Hang the hood on the bracket.
- Adjust the distance of the hood from the wall.
- Adjust the horizontal position of the hood.
- From inside the suction unit, use a pencil to mark the hole to be used for final fixing of the hood (two drill holes are necessary for fastening).
- Remove the hood from the bracket.
- Drill at the point marked (Ø8mm - see operation 7).
- Insert 2 wall plugs.
- Rest the chimney support bracket **G** against the wall, touching the ceiling. Use the support bracket as a drilling template (the small slot formed on the support must coincide with the line drawn on the wall as above – operation 1) and mark 2 holes with a pencil, drill the holes (Ø8mm), insert 2 wall plugs.
- Fix the chimney support bracket to the wall using two 5x45mm screws.
- Hook the hood onto the bottom bracket.
- Fix the hood into its final position on the wall using one 5x45mm screw (ABSOLUTELY ESSENTIAL).
- Connect a pipe (pipe and pipe clamps not provided, to be purchased separately) for discharge of fumes to the connection ring located over the suction motor unit. If the hood is to be used in ducting version, the other end of the pipe must be connected to a device expelling the fumes to the outside. If the hood is to be used in filter version, fix deflector **F** to the chimney support bracket **G** using 4 screws, and connect the other end of the pipe to the connection ring on deflector **F**.
- Make the electrical connections.
- Apply the chimney stacks and fasten them at the top to the chimney support **G** (20b) using 2 screws (20a).
- Slide the bottom section of the chimney down until it

completely covers the suction unit and slots into the housing provided on top of the hood.

19. Turn the mains power on again at the central electrical panel and check for correct hood operation. Carry out the SET-UP of the control panel, if necessary. To do this consult the 'Functioning – SET UP' paragraph in the following pages.

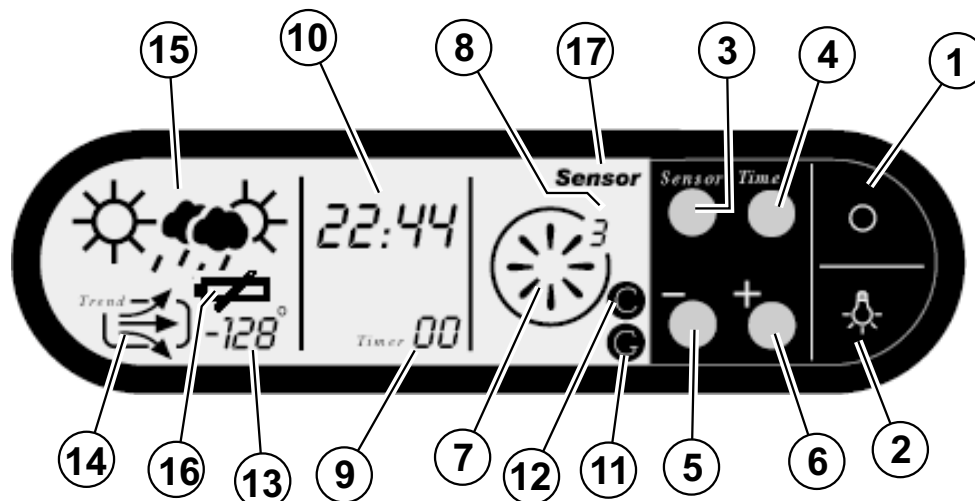
Electrical connection

The electrical tension must correspond to the tension noted on the label placed inside the cooker hood. Connect the electrical plug, where provided, to the an easily accessible outlet in conformity with local standards in force.

Where an electrical plug is not provided (for direct connection to electrical network) place a standards approved bipolar switch with an aperture distance of not less than 3mm (accessible) from the contacts.

Description of the hood - Fig. 1

1. Control panel
2. Grease filter
3. Grease filter release handle
4. Lamp
5. Vapour screen
6. Telescopic chimney
7. Air outlet (used for filter version only)
8. Sensor (CAPTA AST only)



Operation - Capta Meteo

- 1 - ON(standby)/OFF button
- 2 - Lights ON/OFF button
- 3 - **Capta Meteo:**
Button for setting the clock
Capta AST:
Automatic mode ON/OFF button
- 4 - **Capta Meteo**
Button for setting/starting the timer
Capta AST
Button for setting/starting the timer, clock and remote unit (optional).
- 5 - Button for decreasing extraction power (speed)
- 6 - Button for increasing extraction power (speed)
- 7 - Extraction power (speed) graphic display
- 8 - Set power (speed) display
- 9 - Timer
- 10 - Clock
- 11 - Grease filter saturation signalling
- 12 - Active carbon filter saturation signalling
- 13 - Temperature reading by means of remote unit (optional)
- 14 - Atmospheric pressure trend
- 15 - Weather forecast
- 16 - Indication of flat battery in remote unit (optional)
- 17 - „Automatic mode“ ON signalling (CAPTA AST only)

To switch on the hood:

Press button „1“ - the display lights up.

To switch off the hood:

Press button „1“ - the display switches off.

To switch on the lights

press button „2“, the lights come on.

To switch off the lights

press button „2“, the lights go off.

To select extraction power (speed):

Switch on the hood press button „6“ to increase extraction power (speed)

Powers (speeds) available:

1 - 2 - 3 - Intensive (P)

Note: the intensive power (speed) operates for 5 minutes after which the hood automatically goes to power (speed) 2.

press button „5“ to decrease extraction power (speed).

Automatic mode - CAPTA AST ONLY

The hood always goes to „manual mode“; by pressing button „3“ the hood goes on „automatic mode“ - the message „Sensor“ lights up and the letter „A“ appears on the set power (speed) display „8“.

In automatic mode the hood starts and adjusts the speed only if its **sensors** detect changes in the environmental

conditions.

Press any button and the hood returns to „**manual mode**“ or standby (only by pressing button „**3**“).

In certain cases (where the ambient temperature increases or decreases for other reasons, after installation or when the power is switched off for a long time) it may be necessary to carry out a **manual calibration of the sensors** (see the following paragraph).

Safety

When the hood is on manual standby and the sensors detect an excessive temperature rise, the hood goes on „automatic mode“, and the motor starts if the environmental conditions require it.

Filters saturation signalling („**11**“ - „**12**“)

The hood is provided with an electronic device that signals (flashing) when the filters (grease or active carbon) need cleaning and/or changing.

Important! The active carbon filter saturation signalling device is deactivated; activation (or deactivation) is carried out according to a procedure described in the following paragraph).

Grease filter/active carbon filter signalling reset:

Press button „**1**“ for 3 seconds - the hood emits a beep, the filter saturation indicator stops flashing and the hood goes back on standby.

Timer operation

The hood is provided with a timer as an aid for determining cooking times.

The timer can be set from 1 to 99 minutes; a warning buzzer sounds for a few seconds at the end of the set time.

Timer setting - CAPTA METEO ONLY:

press button „**4**“ - the timer „**9**“ flashes.

press button „**5**“ or „**6**“ to set the timer duration

press button „**4**“ to start the timer - the message „**Timer**“ flashes.

Timer setting - CAPTA AST ONLY:

press button „**4**“ **ONCE** - the timer „**9**“ flashes.

press button „**5**“ or „**6**“ to set the timer duration press button „**4**“ to start the timer - the message „**Timer**“ flashes.

Note: if no button is pressed within 5 seconds the hood exits the „timer“ function.

Description of weather reading and forecast functions:

14 - **Atmospheric pressure trend:**

The hood can provide data on atmospheric pressure trends

- rising trend, stable, falling trend

15 - **Weather forecast:**

The hood can provide data on weather conditions (sunny, cloudy, rain).

13 - **Temperature reading by means of remote unit (optional)**

With the purchase of a special remote unit the hood can provide data on the temperature where the remote unit is placed.

This must be not more than 30 m away from the hood.

To configure the remote unit (in case of first use or a malfunction) press button „**4**“ for about 3 seconds.

If the hood fails to operate correctly, briefly disconnect it from the mains power supply for at least 5 sec. by pulling out the plug. Then plug it in again and try once more before contacting the Technical Assistance Service.

Use the high extraction speed in cases of concentrated kitchen vapours. It is recommended that the cooker hood extraction is switched on for 5 minutes prior to cooking and to leave it in operation during cooking and for about another 15 minutes after terminating cooking.

SET-UP - before first use

Setting the clock - CAPTA METEO ONLY

Press button „**3**“ for 3 seconds - the hour digits flash press button „**5**“ or „**6**“ to set the hour.

Press button „**3**“ - the minute digits flash

press button „**5**“ or „**6**“ to set the minutes.

Press button „**3**“ for 3 seconds - the minute digits stop flashing.

Setting the clock - CAPTA AST ONLY

Press button „**4**“ twice - the hour digits flash press button „**5**“ or „**6**“ to set the hour.

Press button „**4**“ - the minute digits flash

press button „**5**“ or „**6**“ to set the minutes.

Press button „**4**“ to exit the „clock setting“ function and memorize the set time.

Note: if no button is pressed within 5 seconds the hood exits the „clock setting“ function without memorizing the set time.

Activation/Deactivation of carbon filter saturation signalling

Activation

Press buttons „**5**“ and „**6**“ at the same time for 3 seconds - the grease filter saturation indicator „**11**“ starts flashing.

After 1 second the active carbon saturation indicator „**12**“ starts flashing - the hood emits a beep indicating activation of active carbon filter saturation signalling.

After 3 seconds - both indicators stop flashing.

Deactivation

Press buttons „**5**“ and „**6**“ at the same time for 3 seconds - the filter saturation indicators „**11**“ and „**12**“ start flashing.

After 1 second the active carbon filter saturation indicator „**12**“ stops flashing - the hood emits a beep indicating deactivation of active carbon filter saturation signalling.

After 3 seconds - the grease filter saturation indicator „**11**“ stops flashing.

Manual sensor calibration - CAPTA AST ONLY

Switch off the hood.

Press and hold button „**6**“, then press button „**5**“, the hood emits a beep indicating that manual calibration has been carried out.

Maintenance

Prior to any maintenance operation ensure that the cooker hood is disconnected from the power supply.

Cleaning

The cooker hood should be cleaned regularly internally and externally.

Clean using the cloth (provided) dampened with neutral liquid detergent. Do not use abrasive products.

DO NOT USE ALCOHOL!

Warning:

Failure to carry out the basic standards of the cleaning of the cooker hood and replacement of the filters may cause fire risks.

Therefore we recommend observing these instructions.

Grease filter

This must be cleaned once a month using non aggressive detergents, either by hand or in the dishwasher, which must be set to a low temperature and a short cycle.

When washed in a dishwasher, the grease filter may discolour slightly, but this does not affect its filtering capacity.

To remove the grease filter, pull the spring release handle **(f)** - (Fig. 2).

Charcoal filter (filter version only)

It absorbs unpleasant odours caused by cooking.

The charcoal filter can be washed once every two months using hot water and a suitable detergent, or in a dishwasher at 65°C (if the dishwasher is used, select the full cycle function and leave dishes out).

Eliminate excess water without damaging the filter, then remove the mattress located inside the plastic frame and put it in the oven for 10 minutes at 100° C to dry completely. Replace the mattress every 3 years and when the cloth is damaged.

Remove the filter holder frame by turning the knobs **(g)** 90° that affix the chimney to the cooker hood **(Fig. 3)**.

Insert the pad **(i)** of activated carbon into the frame **(h)** and fit the whole back into its housing **(j)**.

Replacing lamps - Fig. 4

Access the light compartment

Warning!

Prior to touching the light bulbs ensure they are cooled down. Replace the damaged light bulb.

Only use PL lamps of 11W max, making sure you do not touch them with your hands.

Close the lamp cover.

If the lights do not work, make sure that the lamps are fitted properly into their housings before you call for technical assistance.

Caution

This appliance is designed to be operated by adults. Children should not be allowed to tamper with the controls or play with the appliance.

Do not use the cooker hood where the grill is not correctly fixed! The suctioned air must not be conveyed in the same channel used for fumes discharged by appliances powered by other than electricity. The environment must always be adequately aerated when the cooker hood and other appliances powered by other than electricity are used at the same time. Flambé cooking with a cooker hood is prohibited. The use of a free flame is damaging to the filters and may cause fire accidents, therefore free flame cooking must be avoided. Frying of foods must be kept under close control in order to avoid overheated oil catching fire. Carry out fumes discharging in accordance with the regulations in force by local laws for safety and technical restrictions.