

**GB** Instruction on mounting and use

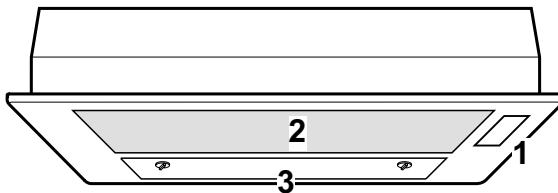


Abb. - Fig.- afb. 1

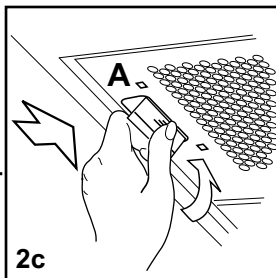
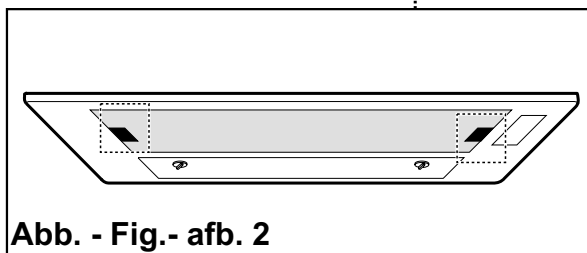
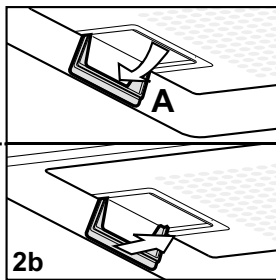
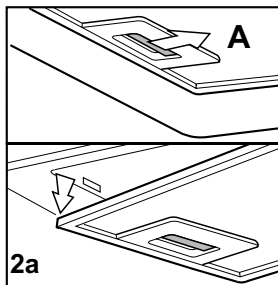


Abb. - Fig.- afb. 2

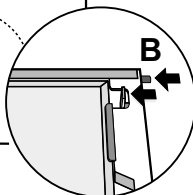
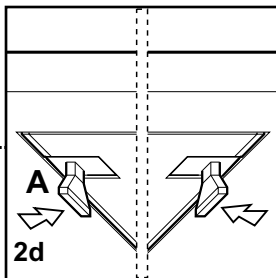
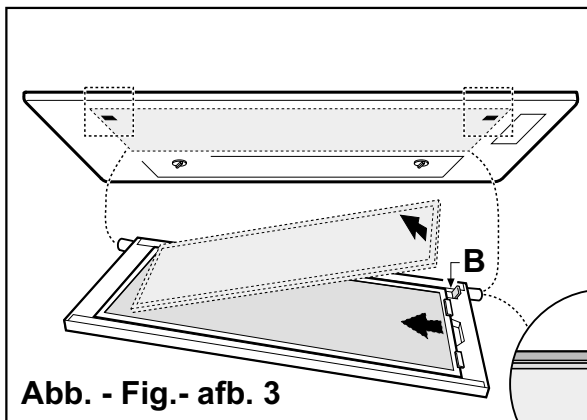
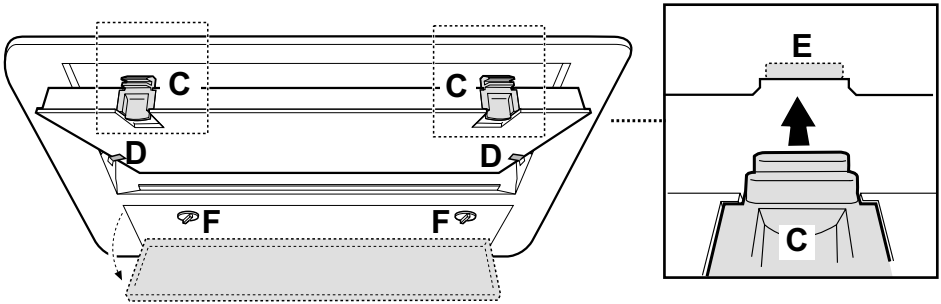
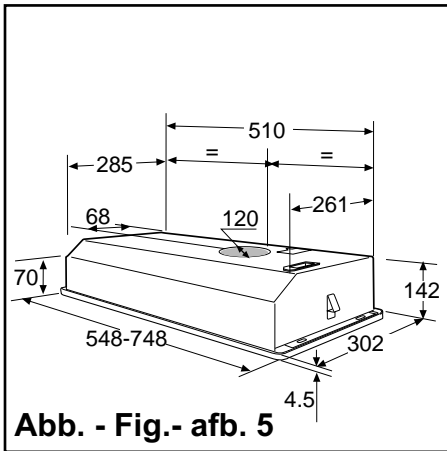


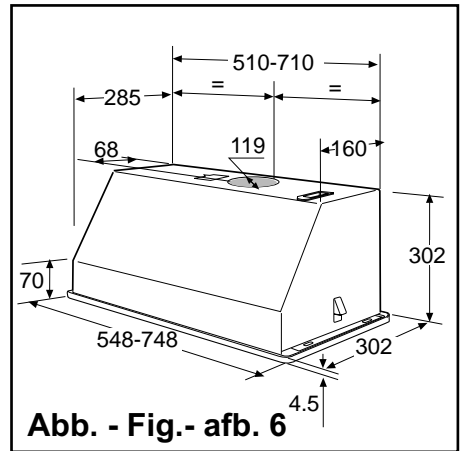
Abb. - Fig.- afb. 3



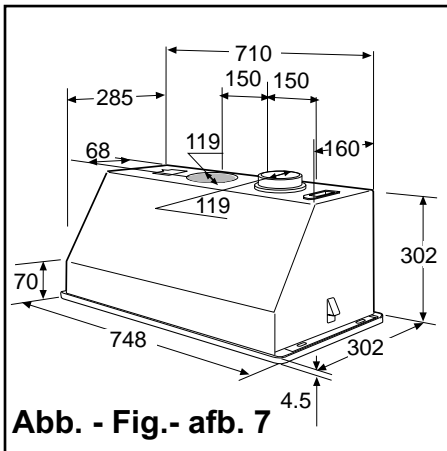
**Abb. - Fig.- afb. 4**



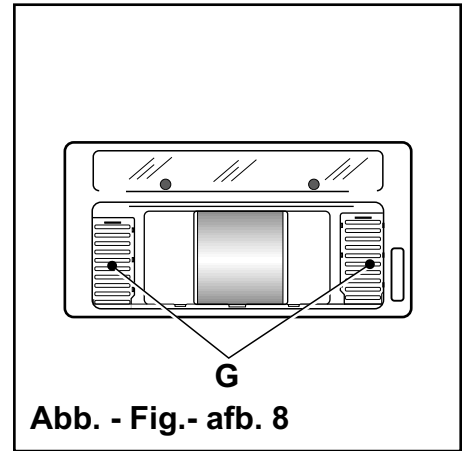
**Abb. - Fig.- afb. 5**



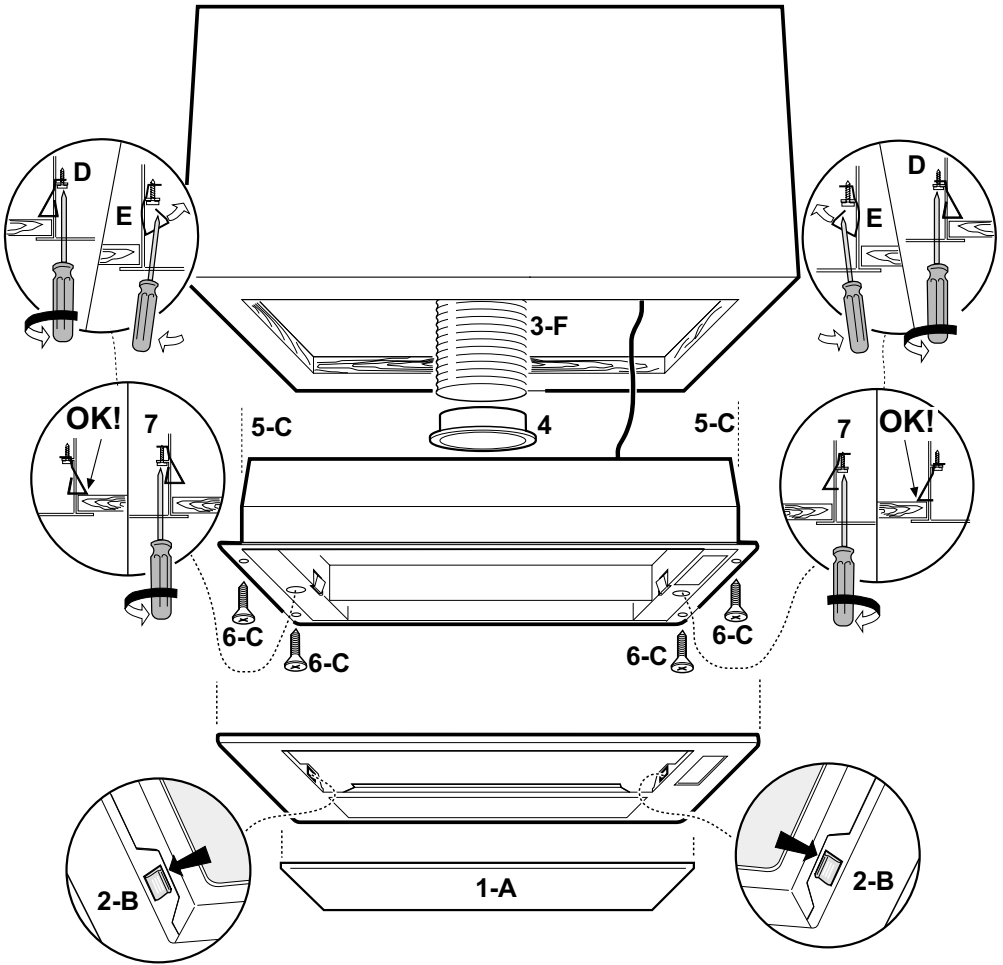
**Abb. - Fig.- afb. 6**



**Abb. - Fig.- afb. 7**



**Abb. - Fig.- afb. 8**



**1...2...3...4...5...6...7... :**

Montage - Installation - Monteren - Montaggio - Fijación - Montagem - Монтаж - Montáž

**A...B...C...D...E... :**

Demontage - Démontage - Dismounting - Demontieren - Smontaggio

Desmontaje - Desmontagem - Демонтаж - Demontáž

## Description of the hood - Fig. 1

1. Control panel
2. Air-inlet surface (with grease filter)
3. Lights

## Use of the hood

The hood is fitted with a control panel with aspiration speed selection control and a light switch to control cooking area lights.

For the best performance, we recommend using the low speeds in normal conditions and the high speeds when strong odour and vapour concentrations are present.

Light should be switched ON to improve cooking area visibility.

It is advisable to switch on the extractor hood a few minutes before starting cooking and then to leave it running for approximately 5 minutes afterwards to ensure that all odours are extracted.

## Maintenance

Before performing any maintenance operation, isolate the hood from the electrical supply by switching off at the connector and removing the connector fuse.

Or if the appliance has been connected through a plug and socket, then the plug must be removed from the socket.

## Metal grease filter

The grease filter serves to trap grease particles present on cooking fumes.

The metal grease filter lasts forever and must be washed either by hand or in the dishwasher (**65°C**) with suitable detergents.

The grease filters must be washed at least once a month.

When washed in a dishwasher, the metal grease filter may discolour. It's filtering properties will nevertheless remain unaltered.

Let the filter dry without damaging it before putting it back into place.

### To remove the metal grease filter

(according model you own: Fig. 2-a-b-c-d)

1. Disconnect the hood from the electricity.
2. Push handles **A** toward the centre

**The model with the grill support (see fig. 2d) has an internal metal filter.**

The release the grease filter support from the hood, pull the release buttons **B** (Fig. 3) inwards. To extract the metal grease filter from the support grill, pull from right to left and extract the grease filter.

(When washing the grease filter, wash the support grate as well with warm soapy water). Carry out the above steps in reverse order to put the filters back after having washed them, making sure the entire extraction surface is covered.

## Carbon filter - Fig. 4

(Recirculation mode only)

The carbon filter serves to eliminate odours that form during the cooking process.

The carbon filter cannot be washed nor regenerated.

The carbon filter should be replaced every 6 months under normal use.

### To dismantle the carbon filter:

1. Disconnect the hood from the electricity.
2. Remove the metal filters (or its support).
3. Remove exhausted carbon filter, push release button **C** and pull carbon filter downwards.

### To fit the carbon filter:

1. Fit the carbon filter by sliding it OVER the metal tabs **D** and hook it into housings **E**. Put the metal filter or its support back into place.

## Cleaning

To clean the outside of the hood use a cloth moistened with denatured alcohol or neutral liquid detergents. Never use products containing abrasive.

Wipe brushed stainless steel in the same direction as the brushing to avoid scratching. Clean the external surface of the cooker hood almost once every 10 days.

## Attention

Failure to observe the instructions for cleaning the appliance and changing and cleaning the filters may cause fires.

Therefore, we recommend observing these instructions.

## Replacing the lamp - Fig. 4

1. Disconnect the hood from the electricity.
2. Open the lamp holder compartment by turning the clasps **F** for the protective shield for the lamps in the counter-clockwise direction.
3. Replace faulty lamp with one of an equal rating and kind.

**According to the cooker hood you own:**

Lamp 40W max (E14) or Neon lamp 14W max or PL lamp 11W max (model with 1 PL lamp) or PL lamp 9W max (model with two PL lamps)

4. Reclose the protective shield for the lamp. Before calling for repair service because the hood fails to light up, make sure the lamps are well inserted.

**Warning!**

- The hood cannot be connected to flues of other appliances that run on energy sources other than electricity.
- When the hood is used at the same time of other appliances that run on energy sources other than electricity, provision must be made for an adequate supply of air.
- No food must be cooked flambé underneath the hood.  
The use of an unprotected flame is dangerous for the filters and could cause fires.  
Therefore, never use an open flame under the hood. When frying foods, never leave the pan alone because the cooking oil could flare up.
- Please, keep to the provisions of official directives regarding the question of fume discharge.
- The manufacturers refuse to accept any responsibility for damage to the hood or its catching on fire because of failure to observe the above instructions.

**Installation**

Do not tile, grout or silicone this appliance to the wall. Surface mounting only.

Do not fix chimney flue to furniture or fly over shelves unless the chimney flue can be easily removed, in case maintenance is ever required. These minimum distances between hobs and grease filter **must** be observed:

Minimum 650 mm - electric hobs

Minimum 700 mm - gas or mixed hobs.

**Electric connection**

The electrical tension must correspond to the tension noted on the label placed inside the cooker hood. Connect the electrical plug, where provided, to the an easily accessible outlet in conformity with local standards in force.

Where an electrical plug is not provided (for direct connection to electrical network) place a standards

approved bipolar switch with an aperture distance of not less than 3mm (accessible) from the contacts. The manufacturers are not liable for any problems caused by the user's failure to observe the above instructions.

**Systems available**

Two systems are available:

**Exhaust mode**

Vapours are extracted outside through an exhausting pipe that is affixed to the connection ring above the hood.

Diameter of the exhausting pipe must be equal to that of the connection ring.

Exhausting pipe and fixing brackets are not supplied

In the horizontal runs the duct must be slightly slanted (about 10°) and directed upwards to vent the air easily from the room to the outside.

**Attention!**

**If the hood is supplied with carbon filter, then it must be removed.**

**Filter version**

The air is filtered through a carbon filter (for its installation see paragraph "Carbon filter") and recirculated into the room.

An exhausting pipe, for the expulsion of fumes, should be mounted from the connection ring to the top of the wall cabinet where an outlet hole must be made (exhausting pipe and fixing brackets are not supplied).

**Attention!**

**If the hood is not supplied with carbon filter, then it must be ordered and mounted.**

This version is used when there is no exhaust duct for venting outdoors or when it is impossible to install one.

**Important:****For the 74,8 cm hood (Fig. 6-7)**

Before using the hood, ensure that the inside grids (**G**-Fig. 8) are open (Exhaust mode) or closed (Filter version).