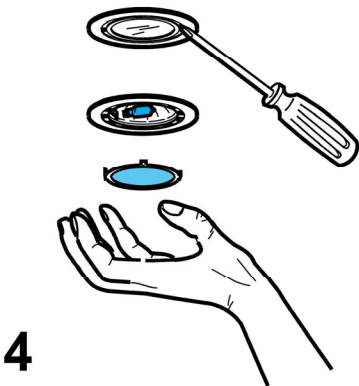
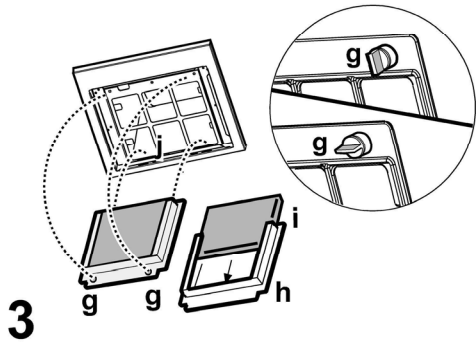
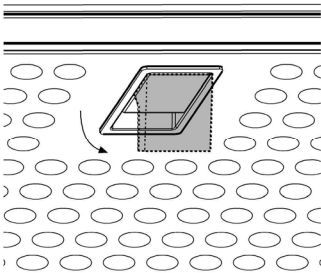
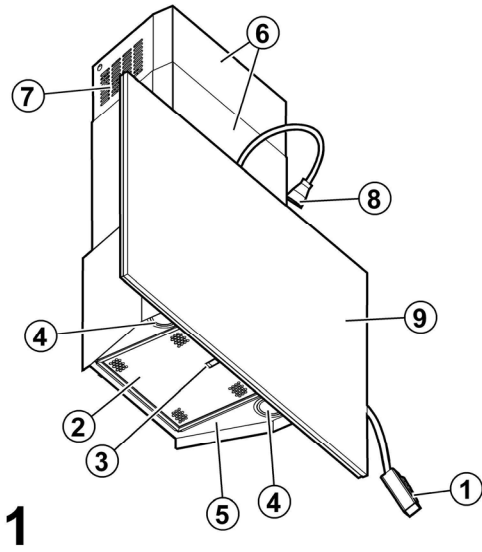
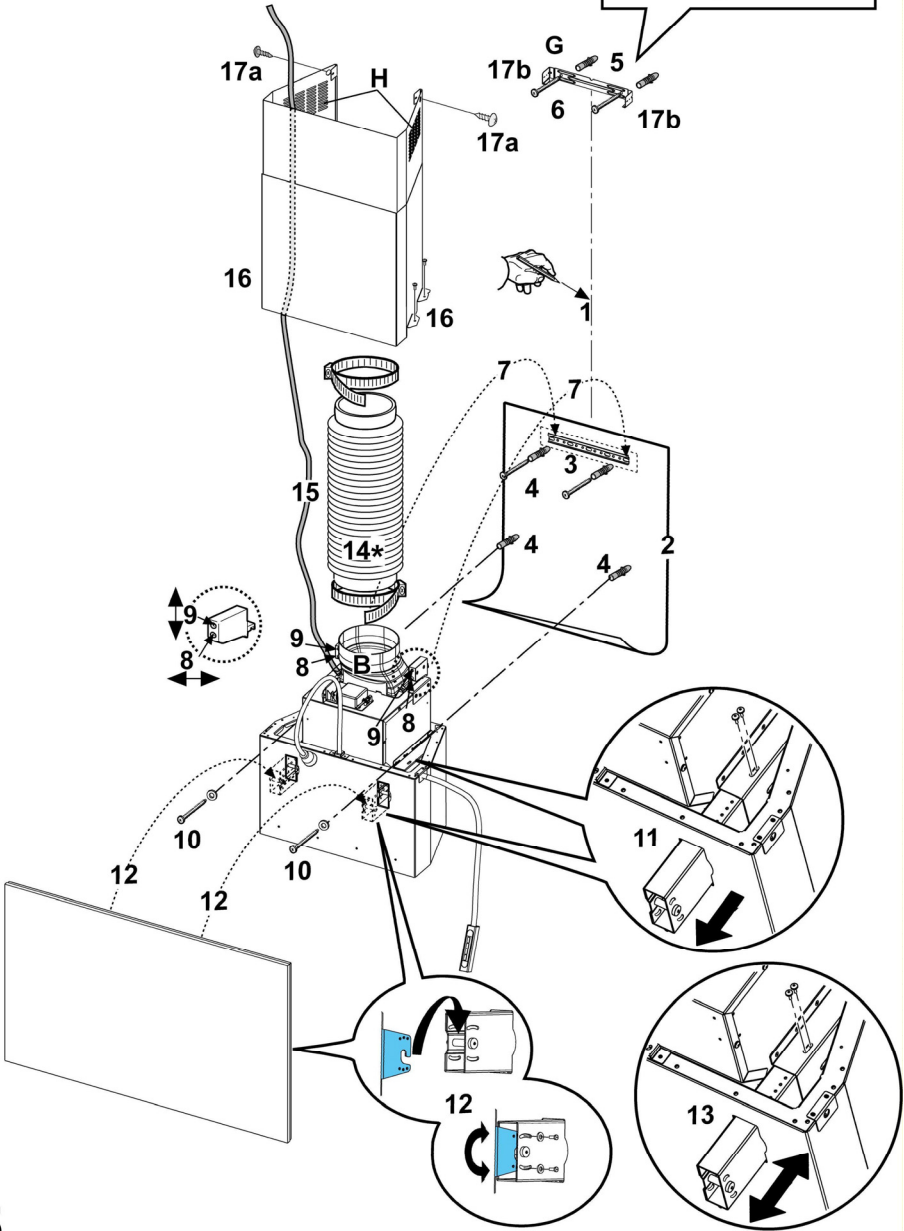
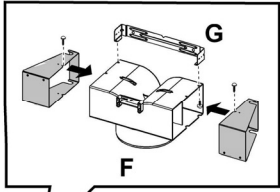
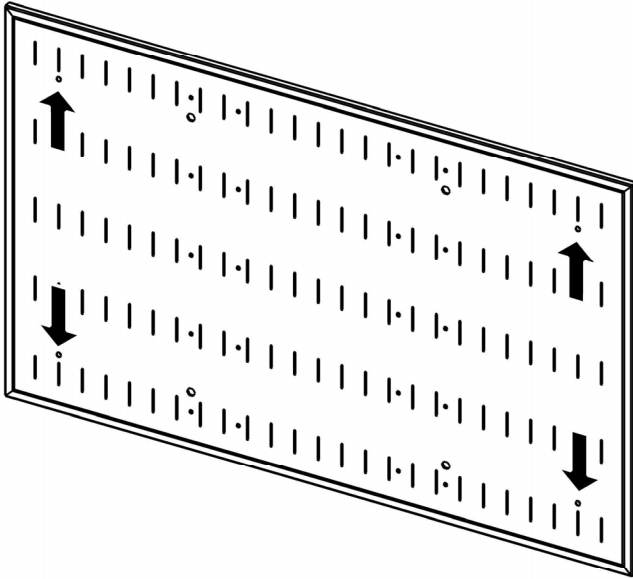


EN Instruction on mounting and use







EN - Instruction on mounting and use

Consult the designs in the front pages referenced in the text by alphabet letters.

Closely follow the instructions set out in this manual. All responsibility, for any eventual inconveniences, damages or fires caused by not complying with the instructions in this manual, is declined.

Note: the elements marked with the symbol “(*)” are optional accessories supplied only with some models or elements to purchase, not supplied.



Caution

WARNING! Do not connect the appliance to the mains until the installation is fully complete.

Before any cleaning or maintenance operation, disconnect the hood from the mains by removing the plug or disconnecting the home mains switch.

Always wear work gloves for all installation and maintenance operations.

The appliance is not intended for use by children or persons with impaired physical, sensorial or mental faculties, or if lacking in experience or know-how, unless they are under supervision or have been trained in the use of the appliance by a person responsible for their safety.

Children should be monitored to ensure that they do not play with the appliance.

Never use the hood without effectively mounted grating.!

The hood must NEVER be used as a support surface unless specifically indicated.

The premises must be sufficiently ventilated, when the kitchen hood is used together with other gas combustion devices or other fuels.

The suctioned air must not be conveyed into a conduit used for the disposal of the fumes generated by appliances that combust gases or other fuels.

The flaming of foods beneath the hood itself is severely prohibited.

The use of exposed flames is detrimental to the filters and may cause a fire risk, and must therefore be avoided in all circumstances.

Any frying must be done with care in order to make sure that the oil does not overheat and burst into flames.

As regards the technical and safety measures to be adopted for fume discharging it is important to closely follow the relations provided by the competent authorities.

The hood must be regularly cleaned on both the inside and outside (AT LEAST ONCE A MONTH, it is in any event necessary to proceed in accordance with the maintenance instructions provided in this manual)..

Failure to follow the instructions as concerns hood and filter cleaning will lead to the risk of fires.


Do not use or leave the hood without the lamp correctly mounted because of the possible risk of electric shocks.

We decline any responsibility for any problems, damage or fires caused to the appliance as the result of the non-observance of the instructions included in this manual.

This appliance is marked according to the European directive

2002/96/EC on Waste Electrical and Electronic Equipment (WEEE). By ensuring this product is disposed of correctly, you will help prevent potential negative consequences for the environment and human health, which could otherwise be caused by inappropriate waste handling of this product.



The symbol  on the product, or on the documents accompanying the product, indicates that this appliance may not be treated as household waste. Instead it should be taken to the appropriate collection point for the recycling of electrical and electronic equipment. Disposal must be carried out in accordance with local environmental regulations for waste disposal.

For more detailed information about treatment, recovery and recycling of this product, please contact your local authority.

Use

The hood is designed to be used either for exhausting or filter version.

Ducting version

The hood is equipped with a top air outlet **B** for discharge of fumes to the outside (exhaust pipe and pipe fixing clamps not provided). **Fig. 6**

Attention! If the hood is supplied with carbon filter, then it must be removed.

Filter version

Should it not be possible to discharge cooking fumes and vapour to the outside, the hood can be used in the **filter version**, fitting an activated carbon filter and the deflector **F** on the support (bracket) **G**, fumes and vapours are recycled through the top grille **H** by means of an exhaust pipe connected to the top air outlet **B** and the connection ring mounted on the deflector **F** (exhaust pipe and pipe fixing clamps not provided). **Fig. 6**

Attention! If the hood is not supplied with carbon filter, then it must be ordered and mounted.

The models with no suction motor only operate in ducting mode, and must be connected to an external suction device (not supplied).

The connecting instructions are supplied with the peripheral suction unit.

Installation

The minimum distance between the supporting surface for the cooking vessels on the hob and the lowest part of the range hood must be not less than 50cm from electric cookers and 65cm from gas or mixed cookers.

If the instructions for installation for the gas hob specify a greater distance, this must be adhered to.

Electrical connection

The mains power supply must correspond to the rating indicated on the plate situated inside the hood. If provided with a plug connect the hood to a socket in compliance with current regulations and positioned in an accessible area. If it not fitted with a plug (direct mains connection) or if the plug is not located in an accessible area apply a double pole switch in accordance with standards which assures the complete disconnection of the mains under conditions relating to over-current category III, in accordance with installation instructions.

Warning! Before re-connecting the hood circuit to the mains supply and checking the efficient function, always check that the mains cable is correctly assembled.

Mounting

Before beginning installation:

- Check that the product purchased is of a suitable size for the chosen installation area.
- To facilitate installation, remove the fat filters and the other parts allowed and described here, dismantle and mount it.
To remove see also the relative paragraphs.
- Remove the active carbon (*) filter/s if supplied (see also relative paragraph). This/these is/are to be mounted only if you want to use the hood in the filtering version.
- Check (for transport reasons) that there is no other supplied material inside the hood (e.g. packets with screws (*), guarantees (*), etc.), eventually removing them and keeping them.
- If possible, disconnect and move freestanding or slide-in range from cabinet opening to provide easier access to rear wall/ceiling. Otherwise put a thick, protective covering over countertop, cooktop or range to protect from damage and debris. Select a flat surface for assembling the unit. Cover that surface with a protective covering and place all canopy hood parts and hardware in it.
- Disconnect the hood during electrical connection, by turning the home mains switch off.
- In addition check whether near the installation area of the hood (in the area accessible also with the hood mounted) an electric socket is available and it is possible to connect a fumes discharge device to the outside (only suction version).
- Carry out all the masonry work necessary (e.g. installation of an electric socket and/or a hole for the passage of the discharge tube).

Attention! The chimney is predisposed for installation of the filter Version.

In certain models where it is required to use the cooker hood in the suction version then it is possible to overturn the upper section of the chimney

and insert it inside the lower section of the chimney so that the air-exit perforations are not visible.

The chimneys in which this operation is possible are recognizable by their bracket fixing points **G** which are repeated also in the lower side of the upper section of the chimney.

Expansion wall plugs are provided to secure the hood to most types of walls/ceilings. However, a qualified technician must verify suitability of the materials in accordance with the type of wall/ceiling. The wall/ceiling must be strong enough to take the weight of the hood. **Do not tile, grout or silicone this appliance to the wall. Surface mounting only.**

Fig. 5

1. Draw a line on the wall up to the ceiling with a pencil, corresponding to the centre line. It will make the operations easier.
2. Apply the drilling template to the wall: the vertical centre line printed on the drilling template should correspond to the centre line drawn on the wall. In addition, the lower edge of the hole drilling template corresponds to the lower edge of the hood.
3. Put the lower support bracket on the drilling template, making it coincide with the traced triangle, marking the two external holes and drill.
Note: Always make all the holes indicated on the template.
4. Remove the drilling template, insert the wall dowels into all the holes made and fix the support bracket of the hood with two screws.
5. Apply flues support bracket „G“ to the wall joining the ceiling. Use the support bracket of the hood as a drilling template (if present, the small slot on the support must coincide with the line previously traced on the wall) and mark 2 holes with a pencil. Drill the holes and insert 2 dowels.
6. Fix the flues support bracket to the wall with 2 screws.
7. Hook the hood to the bracket.
8. Adjust the distance of the hood from the wall.
9. Adjust the horizontal setting of the hood.
10. Fix the hood to the wall definitively (**COMPULSORY!!**).
11. Extract the sliding supports and block them with 2 screws.
12. Hook the front panel to the support, adjust the slope and fix it with 4 screws (2 per side).
13. Unscrew the sliding supports fixing screws and adjust the depth of the panel.
Fix the panel in the wanted position with the 4 screws.
14. Connect a tube (tube and fixing bands not supplied: to be purchased.) for discharging the fumes to the connection ring placed over the suction motor unit.

The other end of the tube must be connected to a fumes expulsion device toward the exterior of the house if using

the suction version. If you want to use the hood in the filtering version, fix flues support bracket G to deflector F and connect the other end of the tube to the connection ring placed on deflector F.

15. Connect the electricity.
16. Apply the flues and fix the lower part with 4 screws.
17. Fix the upper flue to flues support bracket „G“ with 2 screws.

Remount the carbon filter frame and the fat/s filter/s and check the perfect functioning of the hood.

Additional instructions for the montage

Front panel characteristics.

Fig. 6

The front structure is preset for installing panels of various materials.

The panels must have the following characteristics:

They must be made of self-tightening material, able to support a maximum working temperature of 80°C.

They must have dimensions similar to the dimensions of the metal support.

They must not weigh more than 10 Kg.

The panel manufacturer must create a fixing system suitable for the type of material and the weight of the panel, using the 4 passing holes present on the metal support.

We decline any responsibility for possible damage to things and/or people caused by improper use or failure to observe the above instructions.

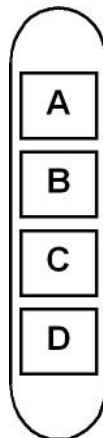
Description of the hood

Fig. 1

1. Control panel
2. Grease filter
3. Grease filter release handle
4. Halogen lamp
5. Vapour catcher
6. Telescopic chimney
7. Air outlet (used for filter version only)
8. Light point.
9. Front panel.

Operation

Use the high suction speed in cases of concentrated kitchen vapours. It is recommended that the cooker hood suction is switched on for 5 minutes prior to cooking and to leave in operation during cooking and for another 15 minutes approximately after terminating cooking.



- A. on/off light switch.
- B. on/off aspiration switch and minimum power selection
- B+C. medium power selection aspiration switch
- B+D. maximum power selection aspiration switch

Maintenance

ATTENTION! Before performing any maintenance operation, isolate the hood from the electrical supply by switching off at the connector and removing the connector fuse.

Or if the appliance has been connected through a plug and socket, then the plug must be removed from the socket.

Cleaning

The cooker hood should be cleaned regularly (at least with the same frequency with which you carry out maintenance of the fat filters) internally and externally. Clean using the cloth dampened with neutral liquid detergent. Do not use abrasive products. **DO NOT USE ALCOHOL!**

WARNING: Failure to carry out the basic cleaning recommendations of the cooker hood and replacement of the filters may cause fire risks.

Therefore, we recommend observing these instructions.

The manufacturer declines all responsibility for any damage to the motor or any fire damage linked to inappropriate maintenance or failure to observe the above safety recommendations.

Grease filter

Fig. 2

This must be cleaned once a month (or when the filter saturation indication system – if envisaged on the model in possession – indicates this necessity) using non aggressive detergents, either by hand or in the dishwasher, which must be set to a low temperature and a short cycle.

When washed in a dishwasher, the grease filter may discolour slightly, but this does not affect its filtering capacity.

To remove the grease filter, pull the spring release handle.

Charcoal filter (filter version only)

Fig. 3

It absorbs unpleasant odours caused by cooking.

The charcoal filter can be washed once every two months (or when the filter saturation indication system – if envisaged on the model in possession – indicates this necessity) using hot water and a suitable detergent, or in a dishwasher at 65°C (if the dishwasher is used, select the full cycle function and leave dishes out).

Eliminate excess water without damaging the filter, then remove the mattress located inside the plastic frame and put it in the oven for 10 minutes at 100° C to dry completely. Replace the mattress every 3 years and when the cloth is damaged.

Remove the filter holder frame by turning the knobs (g) 90° that affix the chimney to the cooker hood.

Insert the pad (i) of activated carbon into the frame (h) and fit the whole back into its housing (j).

Replacing lamps

Disconnect the hood from the electricity.

Warning! Prior to touching the light bulbs ensure they are cooled down.

Fig. 4

1. Using a flat head screwdriver or equivalent tool, carefully pry loose the light cover.
2. Remove the damaged light and replace with a new 12 Volt, 20 Watt (Maximum) halogen light made for a G-4 base SUITABLE FOR USE IN OPEN LUMINAIRES. Follow package directions and do not touch new light with bare hands.
3. Reinstall the light cover. (it will snap shut).

If the lights do not work, make sure that the lamps are fitted properly into their housings before you call for technical assistance.