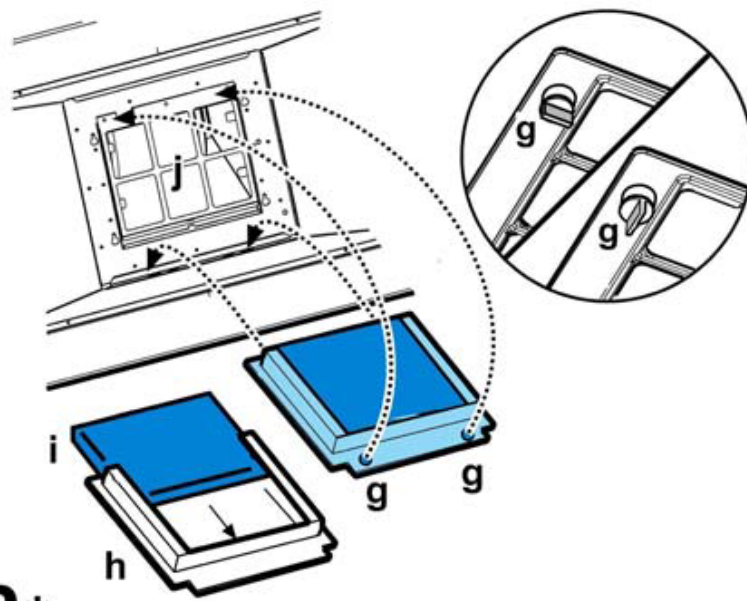
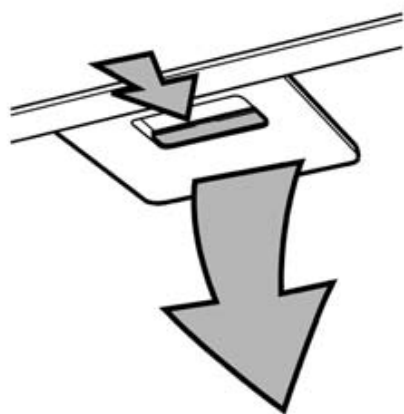
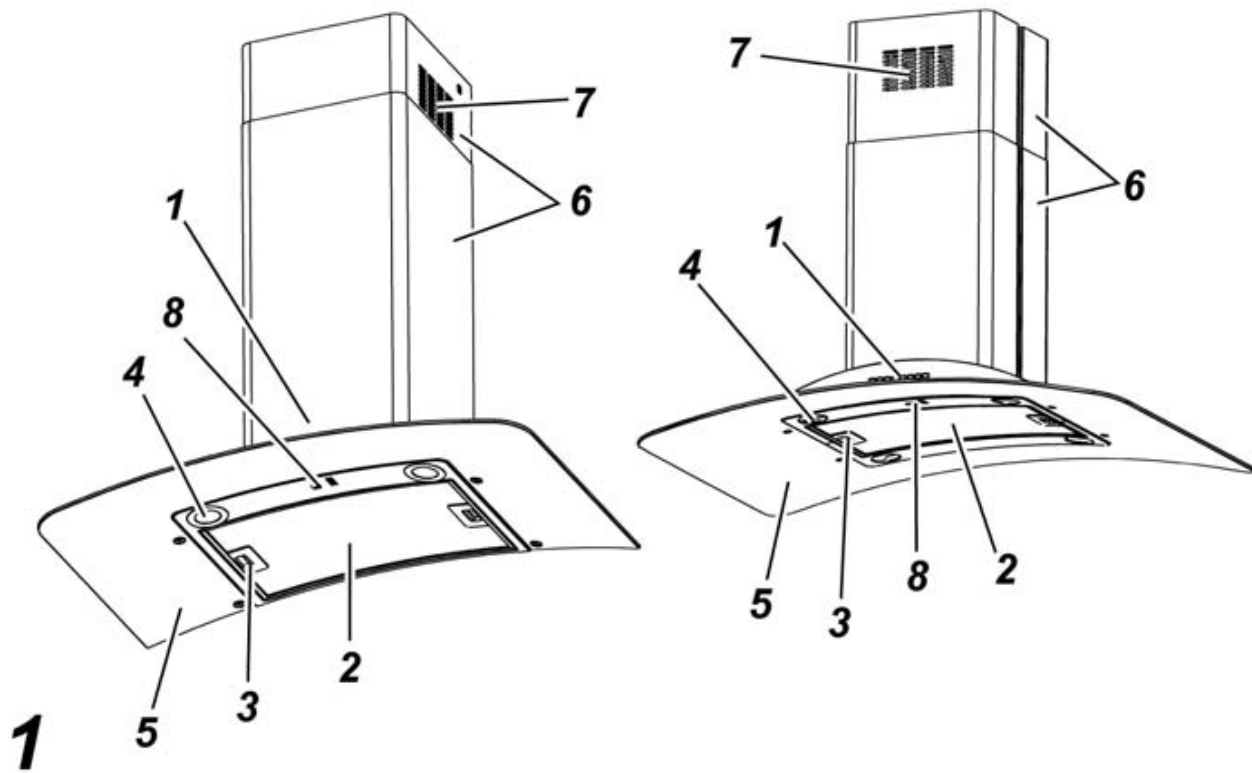


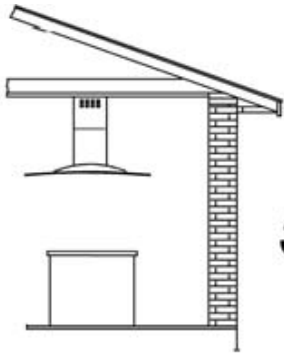
Instruction on mounting and use



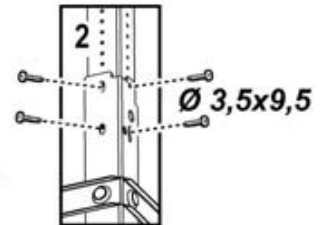
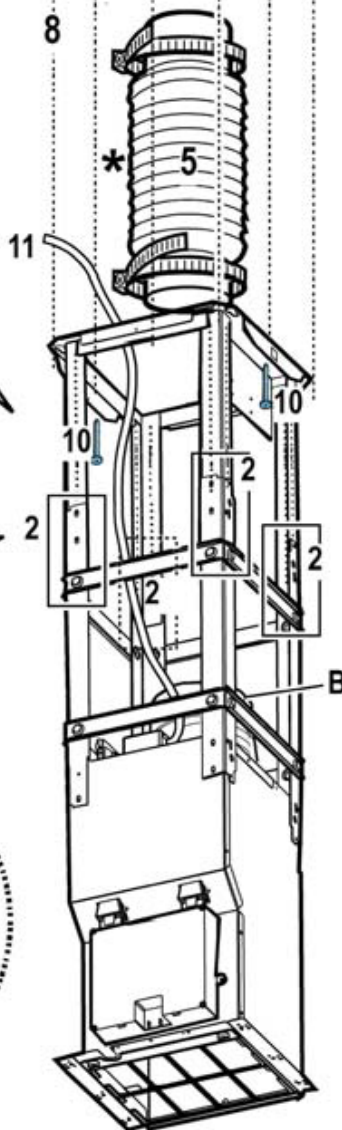
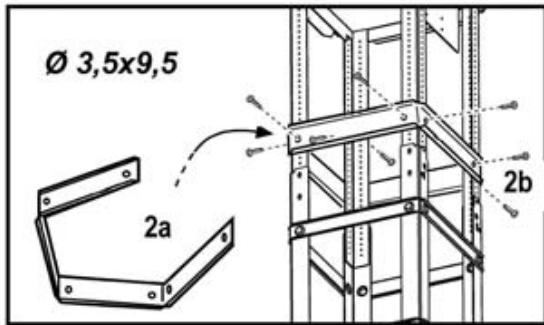
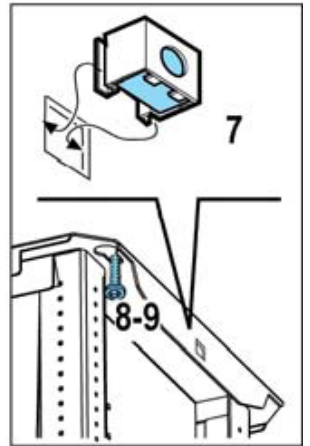
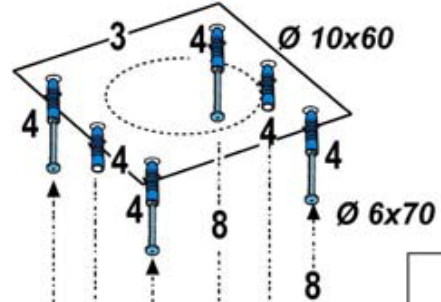
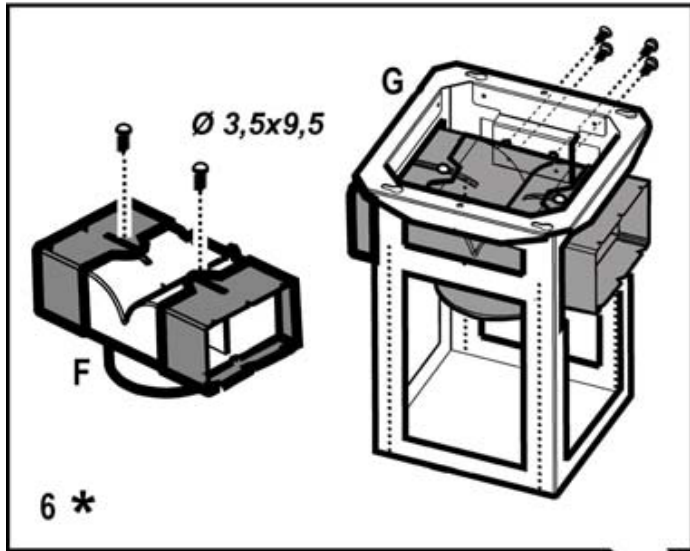
20Watt - 12 Volts



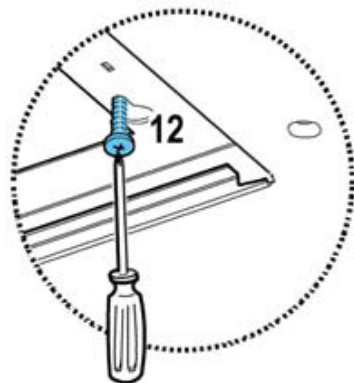
4

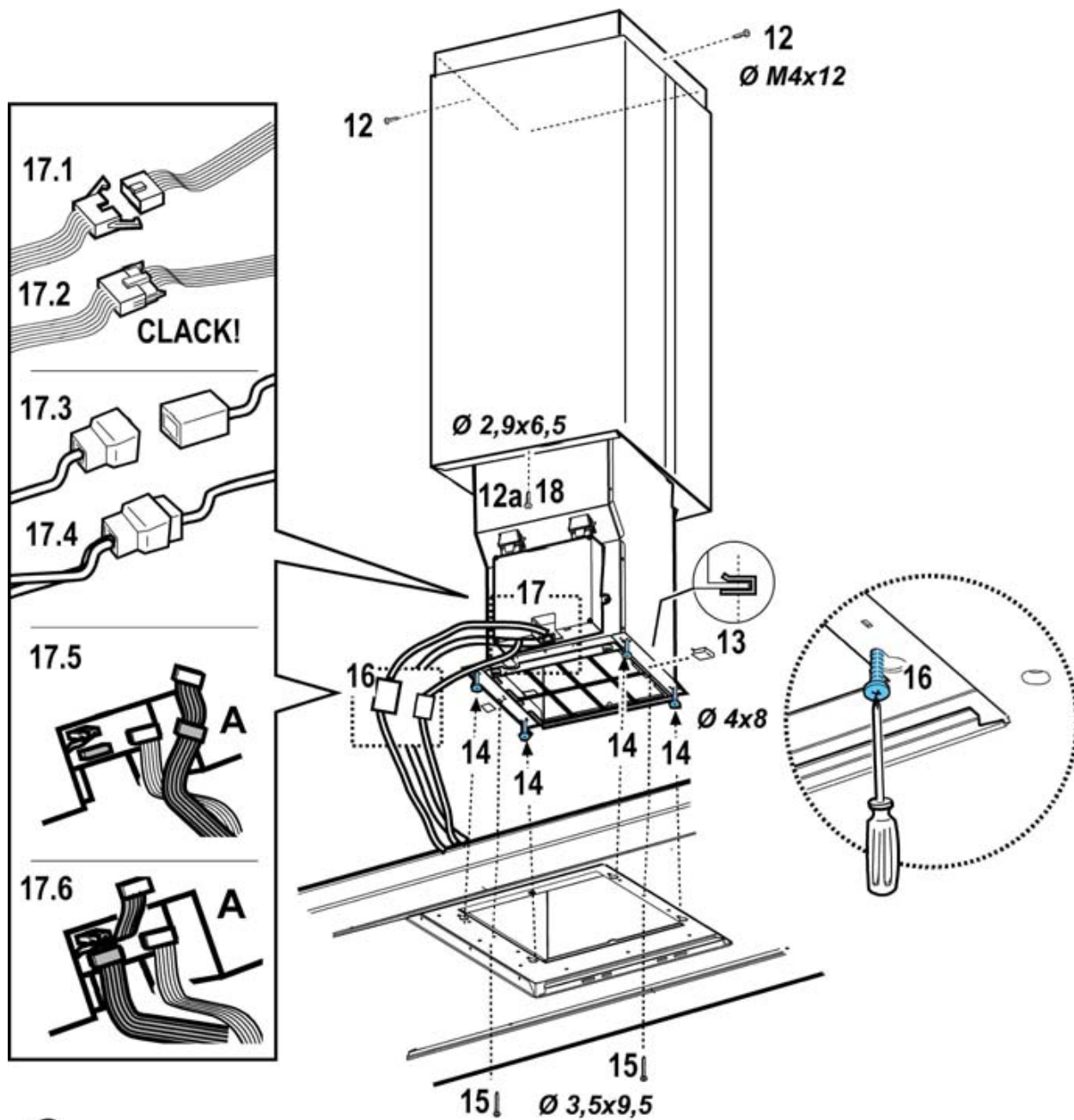


5-6

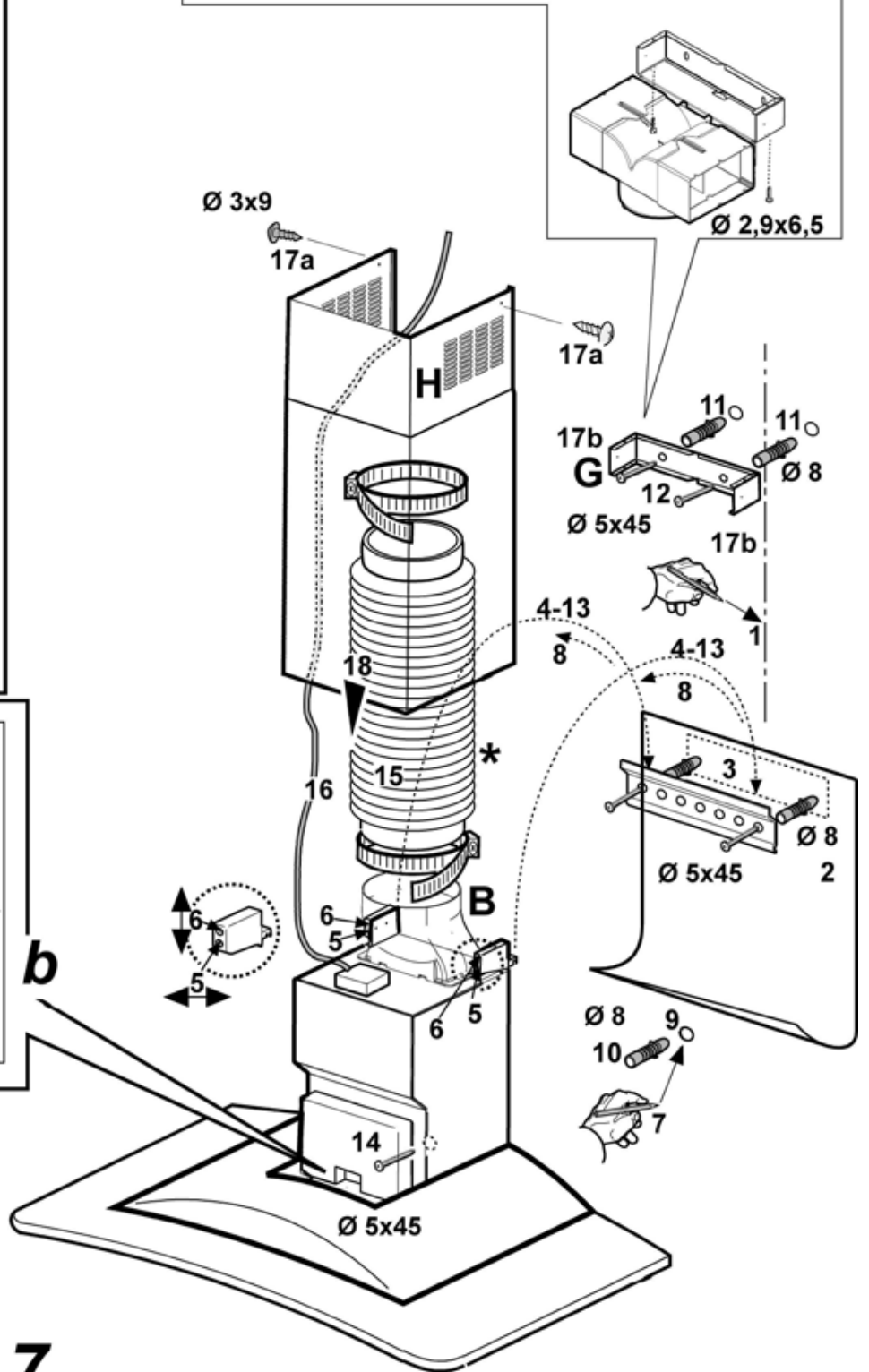
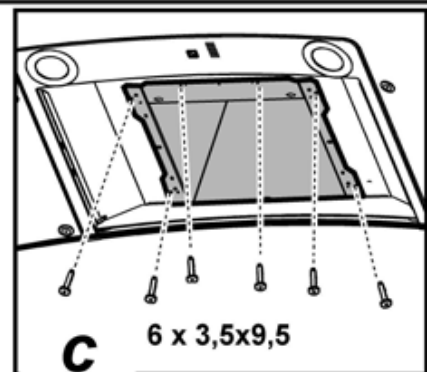
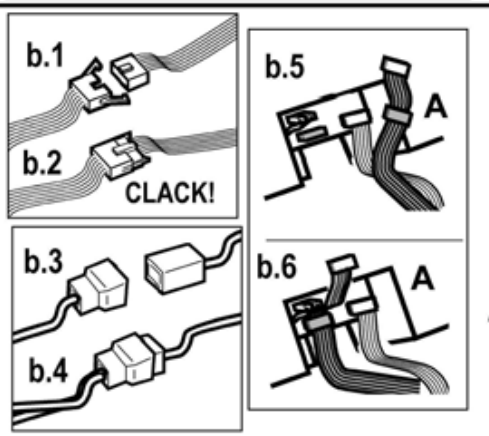
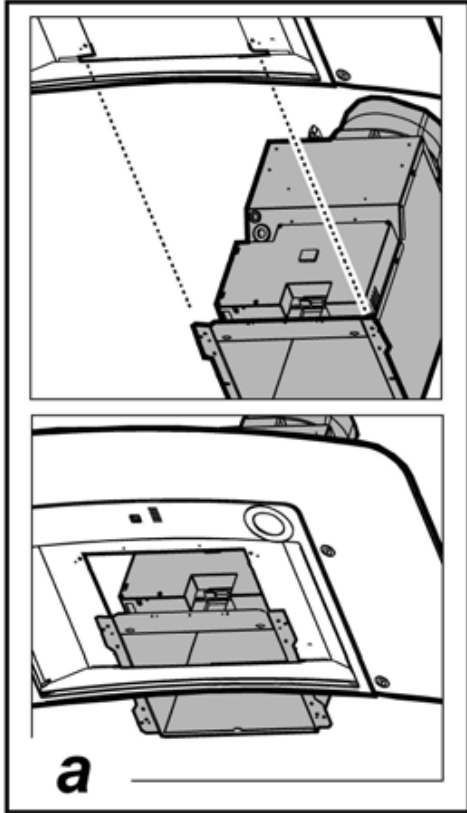
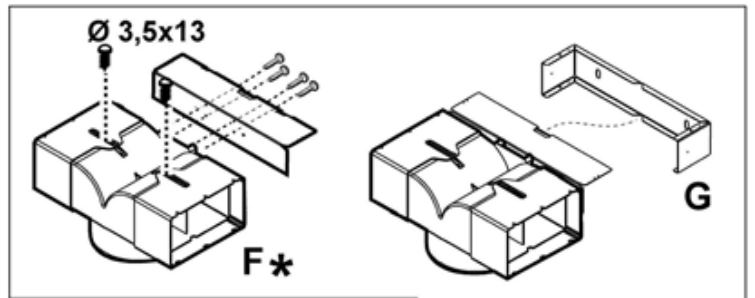
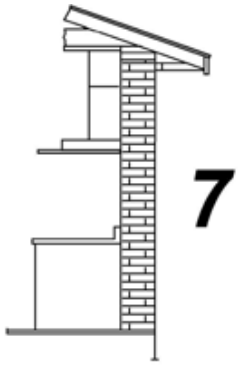


5





6



7

Instruction on mounting and use

Consult the designs in the front pages referenced in the text by alphabet letters.

Closely follow the instructions set out in this manual. All responsibility, for any eventual inconveniences, damages or fires caused by not complying with the instructions in this manual, is declined.

Note: the elements marked with the symbol “(*)” are optional accessories supplied only with some models or elements to purchase, not supplied.

Use

The hood is designed to be used either for exhausting or filter version.

Ducting version

The hood is equipped with a top air outlet **B** for discharge of fumes to the outside (exhaust pipe and pipe fixing clamps not provided).

Attention!

If the hood is supplied with carbon filter, then it must be removed.

Filter version

Should it not be possible to discharge cooking fumes and vapour to the outside, the hood can be used in the **filter version**, fitting an activated carbon filter and the deflector **F** on the support (bracket) **G**, fumes and vapours are recycled through the top grille **H** by means of an exhaust pipe connected to the top air outlet **B** and the connection ring mounted on the deflector **F** (exhaust pipe and pipe fixing clamps not provided).

Attention!

If the hood is not supplied with carbon filter, then it must be ordered and mounted.

The models with no suction motor only operate in ducting mode, and must be connected to an external suction device (not supplied).

Installation

The minimum distance between the supporting surface for the cooking vessels on the hob and the lowest part of the range hood must be not less than 50cm from electric cookers and 65cm from gas or mixed cookers. If the instructions for installation for the gas hob specify a greater distance, this must be adhered to.

Electrical connection

The mains power supply must correspond to the rating indicated on the plate situated inside the hood. If provided with a plug connect the hood to a socket in compliance with current regulations and positioned in an accessible area. If it not fitted with a plug (direct mains connection) or if the plug is not located in an accessible area apply a bi-polar switch in accordance with standards which assures the complete disconnection of the mains under conditions relating to over-

current category III, in accordance with installation instructions.

IMPORTANT: Before re-connecting the hood circuit to the mains supply and checking the efficient function, always check that the mains cable is correctly assembled and that it has NOT remained crushed inside the compartment of the same during the installation stage.

Mounting

The hood is supplied in two versions: model for installation to the wall and model for installation to the ceiling.

Before beginning installation:

- Check that the product purchased is of a suitable size for the chosen installation area.
- To facilitate installation, remove the fat filters and the other parts allowed and described here, dismantle and mount it.
To remove see also the relative paragraphs.
- Remove the active carbon (*) filter/s if supplied (see also relative paragraph). This/these is/are to be mounted only if you want to use the hood in the filtering version.
- Check (for transport reasons) that there is no other supplied material inside the hood (e.g. packets with screws (*), guarantees (*), etc.), eventually removing them and keeping them.
- If possible, disconnect and move freestanding or slide-in range from cabinet opening to provide easier access to rear wall/ceiling. Otherwise put a thick, protective covering over countertop, cooktop or range to protect from damage and debris. Select a flat surface for assembling the unit. Cover that surface with a protective covering and place all canopy hood parts and hardware in it.
- Disconnect the hood during electrical connection, by turning the home mains switch off.
- In addition check whether near the installation area of the hood (in the area accessible also with the hood mounted) an electric socket is available and it is possible to connect a fumes discharge device to the outside (only suction version).
- Carry out all the masonry work necessary (e.g. installation of an electric socket and/or a hole for the passage of the discharge tube).

Expansion wall plugs are provided to secure the hood to most types of walls/ceilings. However, a qualified technician must verify suitability of the materials in accordance with the type of wall/ceiling. The wall/ceiling must be strong enough to take the weight of the hood. **Do not tile, grout or silicone this appliance to the wall. Surface mounting only.**

Installation ceiling model (Island)

Fig. 5-6

1. Adjust extension of the hood support structure, as the final height of the hood depends on this.

Note: In some cases the upper section of the lattice is fixed to the lower section with one or more screws,

- eventually check and remove them temporarily to allow the adjustment of the support structure.
2. Fix the two sections of the structure with a total of 16 screws (four per corner).
Apply one or two brackets to the upper section for extensions greater than the minimum (on the basis of that envisaged supplied) to reinforce it.
Note: For transport reasons 1 bracket may already be fixed to the trellis with 2 screws in a temporary manner, it is therefore possible to either shift it to the required position, or definitively secure its fixture with 6 additional screws.
Proceed as follows for this purpose:
 - a. Slightly widen the fixing brackets so that they can be applied to the exterior of the structure.
 - b. Position the reinforcement bracket immediately above the fixing point of the two sections of the structure and fix with a total of 8 screws (2 per corner).
 If supplied, fix the second reinforcement bracket in a position equidistant between the first reinforcement bracket and the upper side of the lattice, fix with 8 screws (2 per corner).
Note: in positioning and fixing the reinforcement bracket/s check that these do not prevent fixing the discharge tube (suction version) or the baffle (filtering version) easily.
 3. Apply the perforation diagram vertically over the cooking top to the ceiling (the centre of the diagram should correspond to the centre of the cooking top and the sides should be parallel to the sides of the cooking top – the side of the diagram with the word FRONT corresponds to the control panel). Make the electrical connection.
 4. Drill as shown (6 holes for 6 wall plugs – 4 plugs for fixture), screw the outer screws leaving a space of about 1 cm. between the screw head and the ceiling.
 5. Put a discharge tube inside the lattice and connect it to the joining ring of the motor compartment (discharge tube and fixing clamp not supplied). The discharge tube must be sufficiently long to reach the outside (suction version) or deflector F (Filter version).
 6. **Only for the filter version: mount deflector F** onto the lattice and fix it with 4 screws to the apposite bracket. Finally, connect the discharge tube to the connecting ring on the deflector.
 7. Apply two nuts to the right and left sides of the lattice (upper part) in the square slots. They will serve to tighten the fixing screws of the upper flue.
 8. Attach the lattice to the ceiling with the 4 screws (see operation 4).
 9. Screw the 4 screws up decisively.
 10. Put 2 more screws in the holes for fixing the safety elements remaining free and screw them up decisively.
 11. Connect the electricity to the mains. The mains must be turned on only after installation has been concluded.
 12. Put the upper flue (the one with the slots) onto the lattice and fix it to the lattice near the ceiling with 2 screws (one per side). Then put the lower flue onto the lattice and fix the lower flue to the upper flue temporarily with 1 screw.

Check the hold of the two flues.

Note: In order to permit the temporary fixture it will be necessary to insert the lower shaft to cover the top one, right to the end of the run, overtaking the screw that fixes the upper shaft to the bracket in the vicinity of the ceiling.

13. Put 2 clips onto the sides of the fixing points between the lattice and the hood.
14. Attach the hood to the lattice. Check the perfect attachment - screw 4 screws partially up to attach the hood to the lattice.
ATTENTION! The side of the lattice with the connection box corresponds to the side of the control panel once the hood is mounted.
15. Fix the hood to the lattice with two screws. They will also serve to center the two parts.
16. Screw the 4 screws that fix the lattice to the hood up decisively.
17. Carry out the electrical connection of the command instrument board and the lamps.
18. Holding the lower flue carefully, remove the temporary fixing screws between the upper and lower flues (see installation phase 12) and bring the lower flue flush over the hood (put the flue into its seat).
19. Turn the mains on again, acting on the central electrical panel and check the correct functioning of the hood.

Choose the cooking top and calibration of the sensors (to do this read the functioning instructions of the control panel carefully).

Installation wall model

Fig. 7

- a. Rest the suction unit on a flat surface and thread the lower part of the hood onto it.
 - b. Make all the electrical connections between the two parts.
 - c. Fix the hood definitively to the suction unit with the number and type of screws indicated in the figure.
1. Using a pencil, draw a line on the wall, extending up to the ceiling, to mark the centre. This will facilitate installation.
 2. Rest the drilling template against the wall: the vertical centre line printed on the drilling template must correspond to the centre line drawn on the wall, and the bottom edge of the drilling template must correspond to the bottom edge of the hood.
 3. Place the lower support bracket on the perforation diagram making it coincide with the traced triangle, mark the two external holes and perforate. Remove the perforation diagram, insert two wall-dowels and fix the support bracket of the hood with two 5x45 mm screws.
 4. Hang the hood onto the lower bracket.
 5. Adjust the distance of the hood from the wall.
 6. Adjust the horizontal position of the hood.
 7. Using a pencil mark the cooker hood permanent drill hole inside the suction group.
 8. Remove the hood from the lower bracket.
 9. Drill at the point marked (Ø8mm).
 10. Insert 1 wall screw anchor.

11. Apply the flues support bracket **G** to the wall adherent to the ceiling, use the flues support bracket as a perforation diagram (if present, the small slot on the support must coincide with the line drawn previously on the wall) and mark two holes with a pencil. Make the holes (Ø8mm), and insert 2 dowels.
12. Fix the chimney support bracket to the wall using two 5x45mm screws.
13. Hook the hood onto the bottom bracket.
14. Fix the hood into its final position on the wall (ABSOLUTELY ESSENTIAL).
15. Connect a pipe (pipe and pipe clamps not provided, to be purchased separately) for discharge of fumes to the connection ring located over the suction motor unit. If the hood is to be used in ducting version, the other end of the pipe must be connected to a device expelling the fumes to the outside. If the hood is to be used in filter version, then fix the deflector **F** to the chimney support bracket **G** and connect the other extremity of the pipe to the connection ring placed on the deflector **F**.
16. Connect the electricity.
17. Apply the chimney stacks and fasten them at the top to the chimney support **G** (17b) using 2 screws (17a)
18. Slide the bottom section of the chimney down until it completely covers the suction unit and slots into the housing provided on top of the hood.
Remount the carbon filter frame and the fat/s filter/s and check the perfect functioning of the hood.
Choose the cooking top and calibration of the sensors (to do this read the functioning instructions of the control panel carefully).

Description of the hood

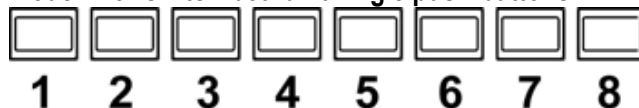
Fig. 1

1. Control panel
2. Grease filter
3. Grease filter release handle
4. Halogen lamp
5. Vapour screen
6. Telescopic chimney
7. Air outlet (used for filter version only)
8. Sensors

Operation

Use the high suction speed in cases of concentrated kitchen vapours. It is recommended that the cooker hood suction is switched on for 5 minutes prior to cooking and to leave in operation during cooking and for another 15 minutes approximately after terminating cooking.

Model with switch-board having 8 push-buttons



1. **Lights ON/OFF Key:** press and release to turn the lights on and off at the preset intensity; keep pressed to adjust the intensity of the light.
2. **ON(Stand by)/OFF suction Key**
-ON (Stand by) – the Key is on.
-OFF - the Key is off: all the commands with the exception of key 1 are disenabled.
To set the hood on **ON (stand by)** or **OFF** press the key and wait until the key lights up or turns off on the basis of the setting desired.
3. **Speed (power) suction selection key 1:** press once to select the suction speed (power), press again and keep it pressed to activate 20 minute (flashing key) functioning time, after which the hood turns off (Stand by)
4. **Speed (power) suction selection key 2:** press once to select the suction speed (power), press again and keep it pressed to activate 15 minute (flashing key) functioning time, after which the hood turns off (Stand by)
5. **Speed (power) suction selection key 3:** press once to select the suction speed (power), press again and keep it pressed to activate 10 minute (flashing key) functioning time, after which the hood turns off (Stand by).
6. **Intensive suction speed (power) ON/OFF selection key (timed):** press to select the suction speed (power). Functioning time is 5 minutes after which suction turns off or returns to the speed (power) previously selected.
7. **Automatic ON/OFF functioning key:** the hood starts and adjusts the speed **ONLY** on the basis of variations in environmental conditions in order to warn the sensors with which the hood is equipped)
Attention! After 20 minutes of inactivity (suction motor turned off) the hood returns automatically to **Stand-by**.
8. **Reset saturation filters key:** the hood, through the signal of this luminous key, tells the user when it is necessary to carry out maintenance of the fat filters and the carbon filter.
Key lit in green: carry out maintenance of the fat filters, after which press the key for about 3 seconds and the key turns off.
Key lit in red: carry out maintenance of the carbon filter, after which press the key for about 3 seconds and the key turns off.
Attention: the hood is preset only for signaling the fat filters.
To enable the signaling of the carbon filter: Set the hood on OFF, press key 8 for 3 seconds. The key turns on in red to signal that the setting has taken place. To disenable the carbon filter signal, repeat this operation again (the key lights up in green).
Note: A beep sounds each time this key is pressed.

Automatic calibration:

the system carries out automatic calibration about every 30 minutes (sensors functioning parameters calibration).

Manual calibration:

With the hood in Off, press keys **3** and **4** for about 3 seconds until the beep sounds.

Sensors test:

takes place continuously during automatic functioning. Key 7 flashes in the case of damage (contact technical assistance). The hood can, in any case, be used in the manual mode.

Selecting the cooking top

This operation optimizes the automatic functioning of the hood. Proceed as follows:

- Set the hood on OFF
- Press keys **7** and **8** contemporaneously to enter into the choosing the cooking top mode. The key that lights up indicates the preset cooking top:
Key **3**: gas cooking top
Key **4**: induction cooking top
Key **5**: electric cooking top
- Press keys **7** and **8** again contemporaneously to choose the desired cooking top
- Press key **2** to set the choice made.

Model with switch-board having 6 push-buttons



1. **Switch ON/OFF Pilot-lights:** press to switch on/off lights.



2. **Switch OFF suction / ON speed (rating) of suction speed 1:** press this switch once turn off the speed (rating) of suction function that has been selected or (if no speed rating of suction function select the speed (rating) of suction speed 1, press again and keep pressed to activate the time-function for 20 minutes (blinking light), following this the cooker hood will switch off.



3. **Speed selecting button suction speed 2:** press this switch once to select the speed rating of suction speed, press again and keep pressed to activate the time-function for 15 minutes (blinking light) following this the cooker-hood will switch off.



4. **Speed selecting button suction speed 3:** press this switch once to select the speed rating of suction speed, press again and keep pressed to activate the time-function for 10 minutes (blinking light) following this the cooker-



5. **Speed selecting button (speed rating) for intensive suction (with timer):** press to select the suction-speed (rating) , the functioning-time is 5 minutes (blinking push-button) , following this the suction function will either turn off or return to the suction-speed that had previously been selected.

Note: It is possible to keep a check of this function so that the hood switches off 5 minutes after it has worked, (even though another function had been selected prior to this one) after having pressed the button, press again and keep pressed , the pilot-light will start blinking indicating that the selected function has been set..



6. **Reset Button for saturation of filters:** the hood will warn the user that it is time to do maintenance work on the filters, by giving out a light-signal.

Red-light Button blinking: carry out the maintenance of the greasy filters, following this press the button for over 3 seconds and the button will turn off.

Red-light Button: carry out maintenance on carbon-filters, following this press the button for more than 3 seconds, the button will switch off.

Attention: the hood is provided only with a warning signal for greasy filters.

To put into function the greasy-filter signal:: Set the cooker-hood off, press switch button no.6 for more than 3 seconds (the switch will turn on red signalling that the function has been set.

To deactivate the carbon filter signal, repeat the entire procedure again.

hood will switch off..

Maintenance

Before performing any maintenance operation, isolate the hood from the electrical supply by switching off at the connector and removing the connector fuse.

Or if the appliance has been connected through a plug and socket, then the plug must be removed from the socket.

Cleaning

The cooker hood should be cleaned regularly (at least with the same frequency with which you carry out maintenance of the fat filters) internally and externally. Clean using the cloth dampened with neutral liquid detergent. Do not use abrasive products.

DO NOT USE ALCOHOL!

Grease filter

This must be cleaned once a month (or when the filter saturation indication system – if envisaged on the model in possession – indicates this necessity) using non aggressive detergents, either by hand or in the dishwasher, which must be set to a low temperature and a short cycle.

When washed in a dishwasher, the grease filter may discolour slightly, but this does not affect its filtering capacity.

To remove the grease filter, pull the spring release handle.

Fig. 2

Charcoal filter (filter version only)

It absorbs unpleasant odours caused by cooking.

The charcoal filter can be washed once every two months (or when the filter saturation indication system – if envisaged on the model in possession – indicates this necessity) using hot water and a suitable detergent, or in a dishwasher at 65°C (if the dishwasher is used, select the full cycle function and leave dishes out).

Eliminate excess water without damaging the filter, then remove the mattress located inside the plastic frame and put it in the oven for 10 minutes at 100° C to dry completely. Replace the mattress every 3 years and when the cloth is damaged.

Remove the filter holder frame by turning the knobs **(g)** 90° that affix the chimney to the cooker hood.

Insert the pad **(i)** of activated carbon into the frame **(h)** and fit the whole back into its housing **(j)**.

Fig. 3

It is possible to use a traditional carbon filter, neither washable nor regenerable, to be replaced every 3 - 4 months. The filter holder frame of the carbon filter is welded together; the eventual frame supplied with the hood is not, therefore, to be used.

Insert it into its housing and fix it turning the 2 plastic knobs.

Replacing lamps

Disconnect the hood from the electricity.

Warning! Prior to touching the light bulbs ensure they are cooled down.

Fig. 4

1. Unscrew the lamp cover.
2. Replace the damaged light bulb.
Only use halogen bulbs of 20W max (G4), making sure you do not touch them with your hands.
3. Refit the lamp cover.

If the lights do not work, make sure that the lamps are fitted properly into their housings before you call for technical assistance.

Caution

WARNING! Do not connect the appliance to the mains until the installation is fully complete.

Before any cleaning or maintenance operation, disconnect the hood from the mains by removing the plug or disconnecting the home mains switch. The appliance is not intended for use by children or persons with impaired physical, sensorial or mental faculties, or if lacking in experience or know-how, unless they are under supervision or have been trained in the use of the appliance by a person responsible for their safety.

Children should be monitored to ensure that they do not play with the appliance.

Never use the hood without effectively mounted grating.!

The hood must NEVER be used as a support surface unless specifically indicated.

The premises must be sufficiently ventilated, when the kitchen hood is used together with other gas combustion devices or other fuels.

The suctioned air must not be conveyed into a conduit used for the disposal of the fumes generated by appliances that combust gases or other fuels.

The flaming of foods beneath the hood itself is severely prohibited.

The use of exposed flames is detrimental to the filters and may cause a fire risk, and must therefore be avoided in all circumstances.

Any frying must be done with care in order to make sure that the oil does not overheat and burst into flames.

As regards the technical and safety measures to be adopted for fume discharging it is important to closely follow the relations provided by the competent authorities.

The hood must be regularly cleaned on both the inside and outside (AT LEAST ONCE A MONTH, it is in any event necessary to proceed in accordance with the maintenance instructions provided in this manual).


Failure to follow the instructions as concerns hood and filter cleaning will lead to the risk of fires.

We decline any responsibility for any problems, damage or fires caused to the appliance as the result of the non-observance of the instructions included in this manual.

This appliance is marked according to the European directive 2002/96/EC on Waste Electrical and Electronic Equipment (WEEE). By ensuring this product is disposed of correctly, you will help prevent potential negative consequences for the

environment and human health, which could otherwise be caused by inappropriate waste handling of this product.



The symbol  on the product, or on the documents accompanying the product, indicates that this appliance may not be treated as household waste. Instead it shall be handed over to the applicable collection point for the recycling of electrical and electronic equipment. Disposal must be carried out in accordance with local environmental regulations for waste disposal.

For more detailed information about treatment, recovery and recycling of this product, please contact your local city office, your household waste disposal service or the shop where you purchased the product.

