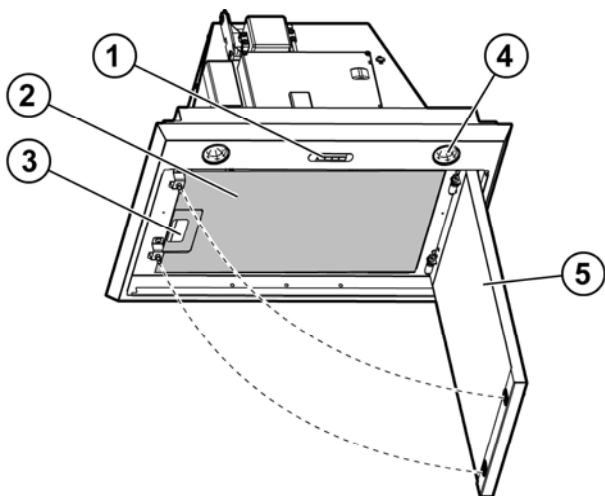
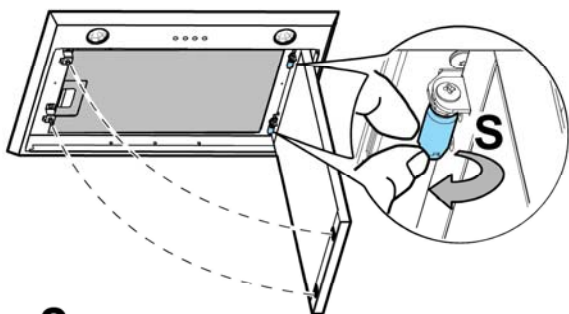


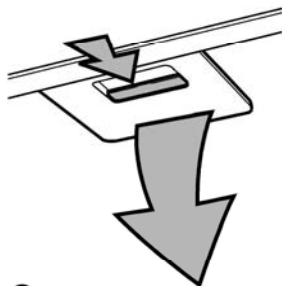
Instruction on mounting and use



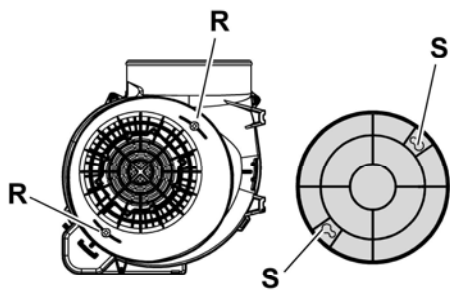
1



2



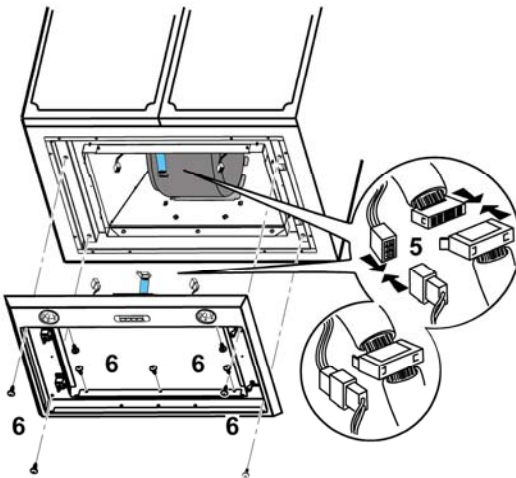
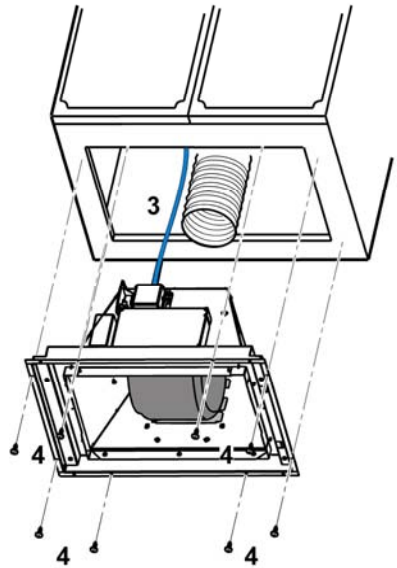
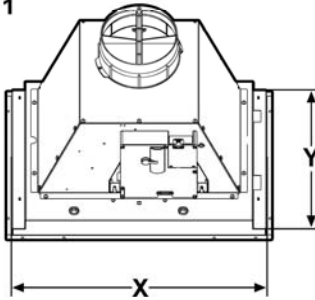
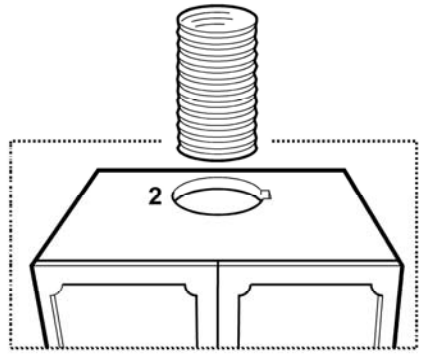
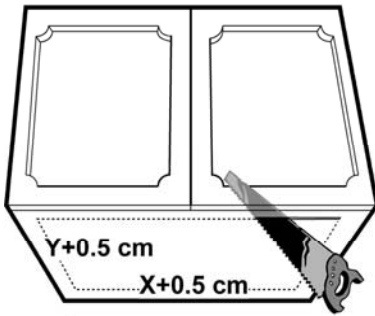
3



4



5



EN - Instruction on mounting and use

Consult the designs in the front pages referenced in the text by alphabet letters.

Closely follow the instructions set out in this manual. All responsibility, for any eventual inconveniences, damages or fires caused by not complying with the instructions in this manual, is declined.

Note: the elements marked with the symbol “(*)” are optional accessories supplied only with some models or elements to purchase, not supplied.



Caution

WARNING! Do not connect the appliance to the mains until the installation is fully complete.

Before any cleaning or maintenance operation, disconnect the hood from the mains by removing the plug or disconnecting the home mains switch.

The appliance is not intended for use by children or persons with impaired physical, sensorial or mental faculties, or if lacking in experience or know-how, unless they are under supervision or have been trained in the use of the appliance by a person responsible for their safety.

Children should be monitored to ensure that they do not play with the appliance.

Never use the hood without effectively mounted grating.!

The hood must NEVER be used as a support surface unless specifically indicated.

The premises must be sufficiently ventilated, when the kitchen hood is used together with other gas combustion devices or other fuels.

The suctioned air must not be conveyed into a conduit used for the disposal of the fumes generated by appliances that combust gases or other fuels.

The flaming of foods beneath the hood itself is severely prohibited.

The use of exposed flames is detrimental to the filters and may cause a fire risk, and must therefore be avoided in all circumstances.

Any frying must be done with care in order to make sure that the oil does not overheat and burst into flames.

As regards the technical and safety measures to be adopted for fume discharging it is important to closely follow the relations provided by the competent authorities.

The hood must be regularly cleaned on both the inside and outside (AT LEAST ONCE A MONTH, it is in any event necessary to proceed in accordance with the maintenance instructions provided in this manual)..

Failure to follow the instructions as concerns hood and filter cleaning will lead to the risk of fires.


Do not use or leave the hood without the lamp correctly mounted because of the possible risk of electric shocks.

We decline any responsibility for any problems, damage or fires caused to the appliance as the result of the non-observance of the instructions included in this manual.

This appliance is marked according to the European directive 2002/96/EC on Waste Electrical and Electronic Equipment

(WEEE). By ensuring this product is disposed of correctly, you will help prevent potential negative consequences for the environment and human health, which could otherwise be caused by inappropriate waste handling of this product.



The symbol  on the product, or on the documents accompanying the product, indicates that this appliance may not be treated as household waste. Instead it should be taken to the appropriate collection point for the recycling of electrical and electronic equipment. Disposal must be carried out in accordance with local environmental regulations for waste disposal.

For more detailed information about treatment, recovery and recycling of this product, please contact your local council, your household waste disposal service or the shop where you purchased the product.

Use

The hood is designed to be used either for exhausting or filter version.

Ducting version

The hood is equipped with a top air outlet **B** for discharge of fumes to the outside (exhaust pipe and pipe fixing clamps not provided).

Attention!

If the hood is supplied with carbon filter, then it must be removed.

Filtering version

In the case where it is not possible to discharge the cooking fumes and steam outside, the hood can be used in the **filtering version**, mounting 1 or 2 active carbon filters (*).

The fumes and steam are recycled into the kitchen.

Attention!

If the hood is not supplied with carbon filter, then it must be ordered and mounted.

The models with no suction motor only operate in ducting mode, and must be connected to an external suction device (not supplied).

Installation

The minimum distance between the supporting surface for the cooking vessels on the hob and the lowest part of the range hood must be not less than 50cm from electric cookers and 70cm from gas or mixed cookers.

If the instructions for installation for the gas hob specify a greater distance, this must be adhered to.



Electrical connection

The mains power supply must correspond to the rating indicated on the plate situated inside the hood. If provided with a plug connect the hood to a socket in compliance with current regulations and positioned in an accessible area. If it not fitted

with a plug (direct mains connection) or if the plug is not located in an accessible area apply a bi-polar switch in accordance with standards which assures the complete disconnection of the mains under conditions relating to over-current category III, in accordance with installation instructions.

Warning: Before re-connecting the hood circuit to the mains supply and checking the efficient function, always check that the mains cable is correctly assembled.

Mounting

Fig. 6

Before beginning installation:

- Check that the product purchased is of a suitable size for the chosen installation area.
- To facilitate installation, remove the fat filters and the other parts allowed and described here, dismantle and mount it.
To remove see also the relative paragraphs.
- Remove the active carbon (*) filter/s if supplied (see also relative paragraph). This/these is/are to be mounted only if you want to use the hood in the filtering version.
- Check (for transport reasons) that there is no other supplied material inside the hood (e.g. packets with screws (*), guarantees (*), etc.), eventually removing them and keeping them.
- If possible, disconnect and move freestanding or slide-in range from cabinet opening to provide easier access to rear wall/ceiling. Otherwise put a thick, protective covering over countertop, cooktop or range to protect from damage and debris. Select a flat surface for assembling the unit. Cover that surface with a protective covering and place all canopy hood parts and hardware in it.
- Disconnect the hood during electrical connection, by turning the home mains switch off.
- In addition check whether near the installation area of the hood (in the area accessible also with the hood mounted) an electric socket is available and it is possible to connect a fumes discharge device to the outside (only suction version).
- Carry out all the masonry work necessary (e.g. installation of an electric socket and/or a hole for the passage of the discharge tube).

Expansion wall plugs are provided to secure the hood to most types of walls/ceilings. However, a qualified technician must verify suitability of the materials in accordance with the type of wall/ceiling. The wall/ceiling must be strong enough to take the weight of the hood. **Do not tile, grout or silicone this appliance to the wall. Surface mounting only.**

1. Make a slot on the underside of the cupboard according to the size given.
2. Make a hole on the underside of the cupboard as well to put the exhaust pipe and the electric cable through.
3. Connect an exhaust pipe to the hood connecting ring and check, while inserting the hood into the opening created on purpose, that the exhaust pipe and the electric cable come out of the hole made on the underside of the cupboard.
4. Fix the hood to the end of the cupboard with 8 screws.
5. Connect the control panel and the lamps to the power supply.

Warning: check that the linking cables aren't compressed between the frame holding the filter and the cooker hood.

6. Fix the filter older frame to the hood with 9 screws.

Reinstall the grease filter.

Description of the hood

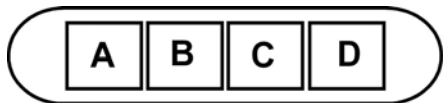
Fig. 1

1. Control panel
2. Grease filter
3. Grease filter release handle
4. Halogen lamp
5. Perimeter suction panel

Operation

Use the high suction speed in cases of concentrated kitchen vapours. It is recommended that the cooker hood suction is switched on for 5 minutes prior to cooking and to leave in operation during cooking and for another 15 minutes approximately after terminating cooking.

Control panel



- A. on/off light switch
- B. on/off aspiration switch and minimum power selection
- B+C. medium power selection aspiration switch
- B+D. maximum power selection aspiration switch

Maintenance

ATTENTION! Before performing any maintenance operation, isolate the hood from the electrical supply by switching off at the connector and removing the connector fuse.

Or if the appliance has been connected through a plug and socket, then the plug must be removed from the socket.

Cleaning

The cooker hood should be cleaned regularly (at least with the same frequency with which you carry out maintenance of the fat filters) internally and externally. Clean using the cloth dampened with neutral liquid detergent. Do not use abrasive products. **DO NOT USE ALCOHOL!**

WARNING:

Failure to carry out the basic cleaning recommendations of the cooker hood and replacement of the filters may cause fire risks.

Therefore, we recommend observing these instructions.

The manufacturer declines all responsibility for any damage to the motor or any fire damage linked to inappropriate maintenance or failure to observe the above safety recommendations.

Panel

Fig. 2

Attention! Hold the panel with both hands when dismantling and re-mounting in position to avoid it falling and causing damage to people or things.

Dismantling:

pull the panel (FRONT SIDE) downward with decision, unscrew safety knob **S** and unhook it from the rear hinge.

Cleaning:

Clean the suction panel with the same frequency as the fats filter using a cloth soaked in neutral liquid detergents.

Avoid the use of products containing abrasives. **DO NOT USE ALCOHOLS.**

Montage:

The panel must be hooked at the back and fixed in front fitted into the pins for the purpose on the surface of the hood.

Attention! always check that the panel is well fixed in its place.

Grease filter

Fig. 3

Traps cooking grease particles.

This must be cleaned once a month (or when the filter saturation indication system – if envisaged on the model in possession – indicates this necessity) using non aggressive detergents, either by hand or in the dishwasher, which must be set to a low temperature and a short cycle.

When washed in a dishwasher, the grease filter may discolour slightly, but this does not affect its filtering capacity.

To remove the grease filter, pull the spring release handle.

Charcoal filter (filter version only)

Fig. 4

It absorbs unpleasant odours caused by cooking.

The saturation of the activated charcoal occurs after more or less prolonged use, depending on the type of cooking and the regularity of cleaning of the grease filter.

In any case it is necessary to replace the cartridge at least every four months.

The carbon filter may NOT be washed or regenerated.

Remove the grease filters.

Fit the charcoal filters over the motor.

Align the pins **R** on the cowl with the slots **S**, then turn the filter clockwise until it locks in place.

Reverse the above procedure to remove the charcoal filters.

Refit the grease filters.

Replacing lamps

Fig. 5

Disconnect the hood from the electricity.

Warning! Prior to touching the light bulbs ensure they are cooled down.

- Use a small screwdriver as a lever on the borders of the lamp in order to remove the lightbulb.
- Slide out the lightbulb to be replaced and replace with a new 12V 20W MAX 30° Ø35 12V GU4.
- Carry out the replacement and mount the new lightbulb by following instructions in the reverse.

If the lights do not work, make sure that the lamps are fitted properly into their housings before you call for technical assistance.