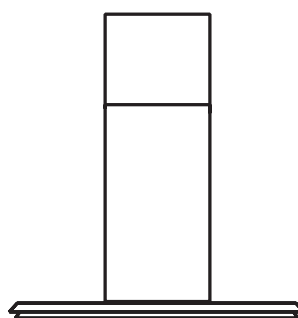
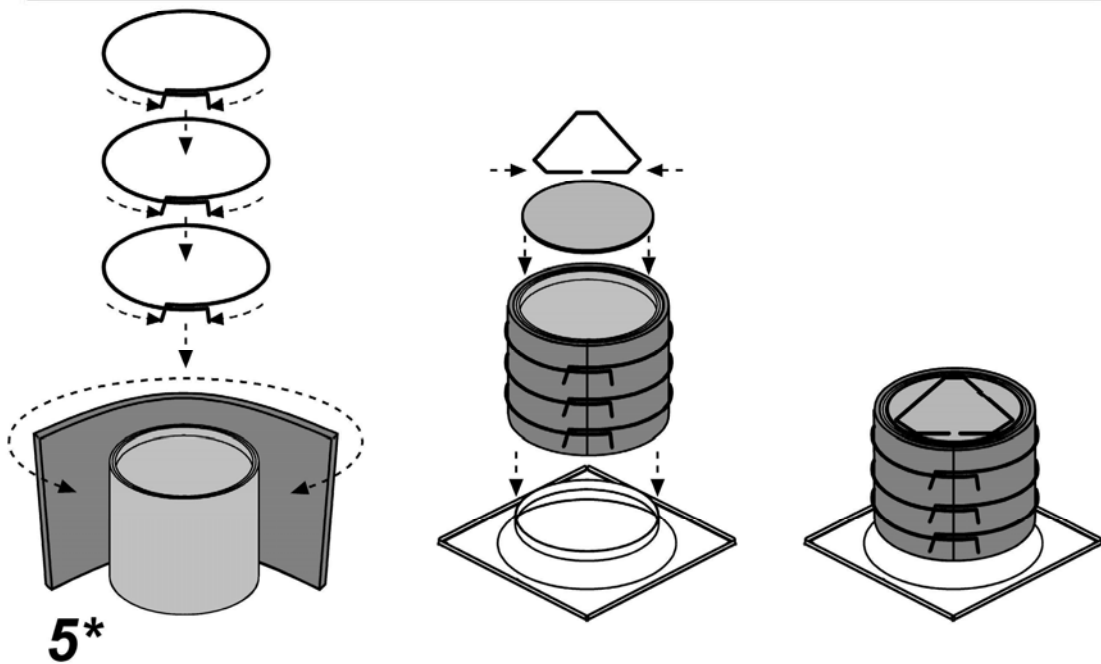
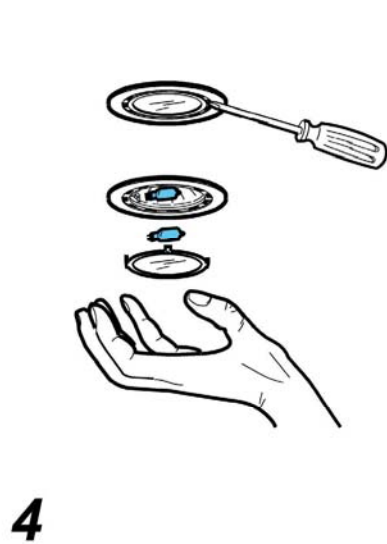
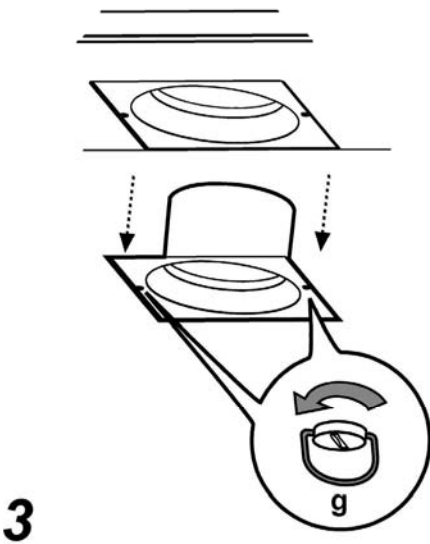
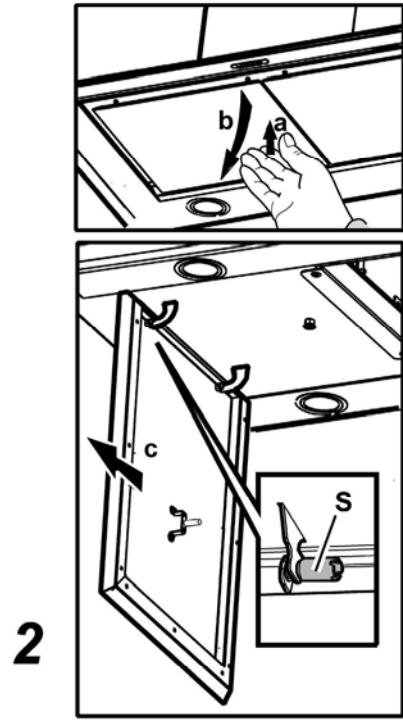
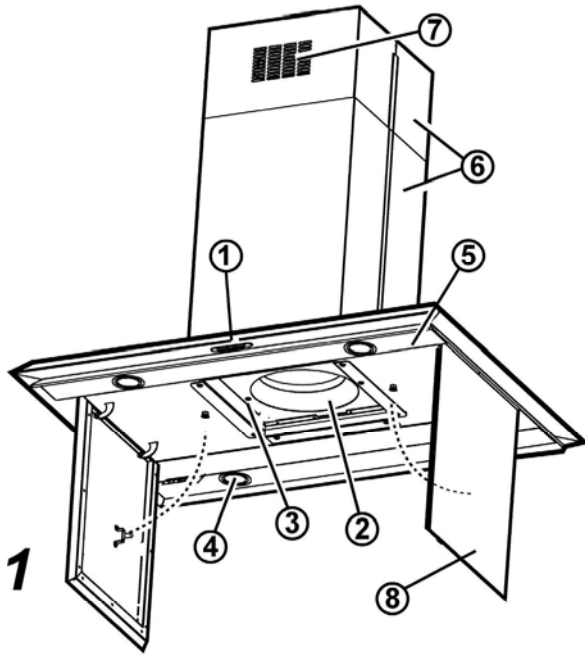
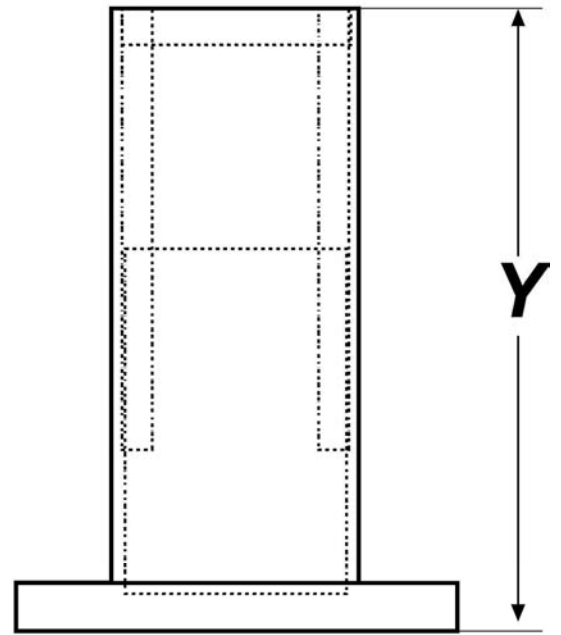
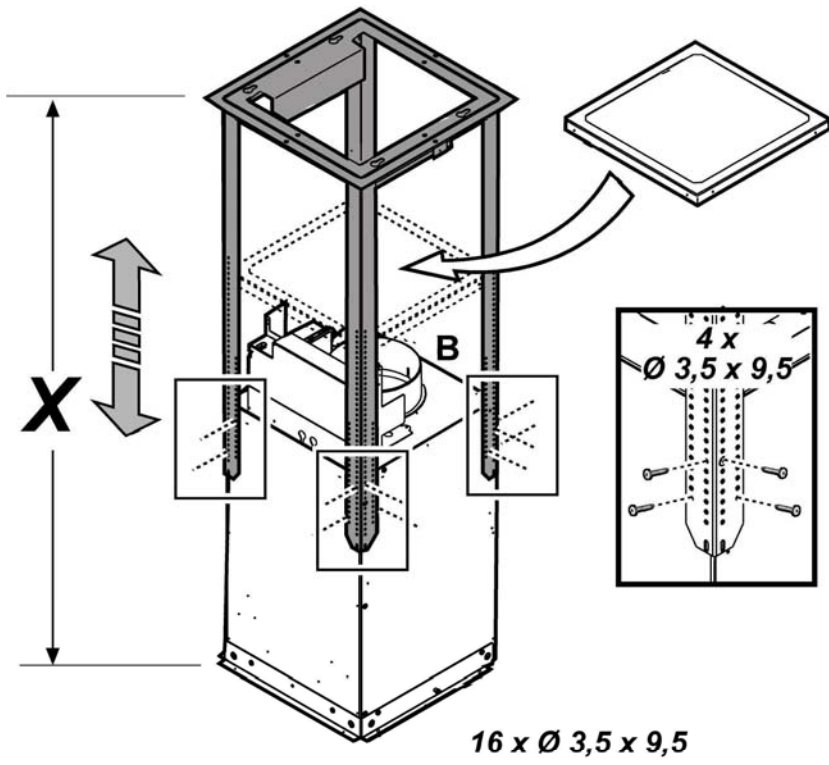


# Oxygène

Design Team Elica

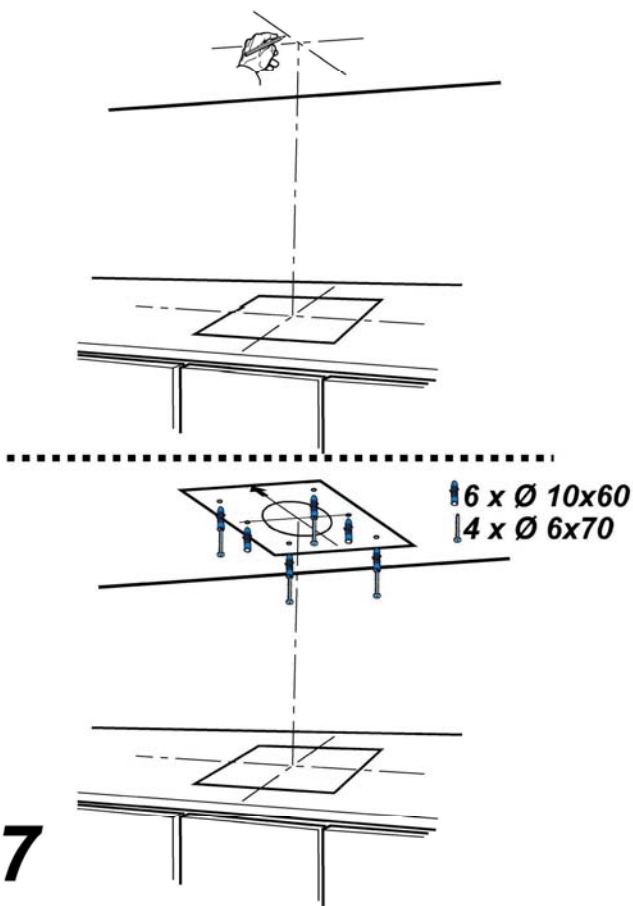




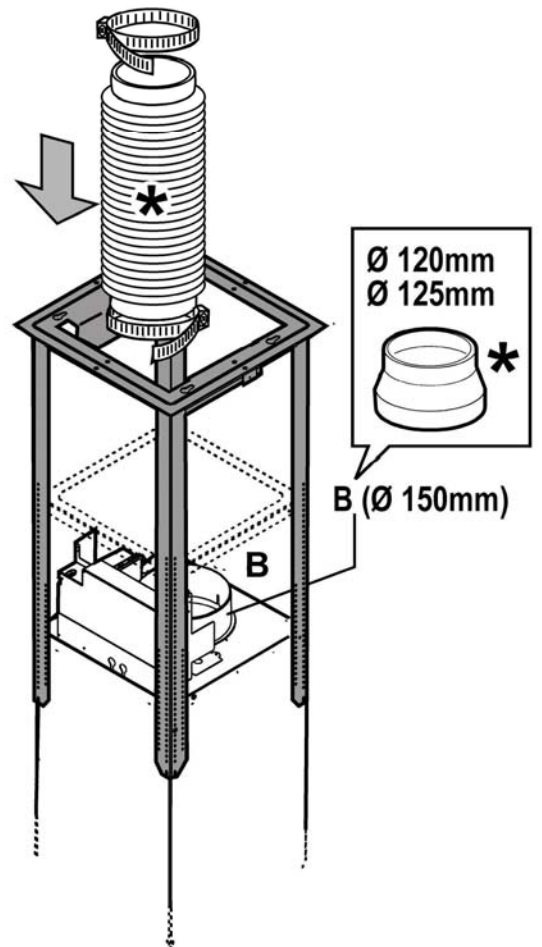


$$Y(\text{mm}) = X + 57$$

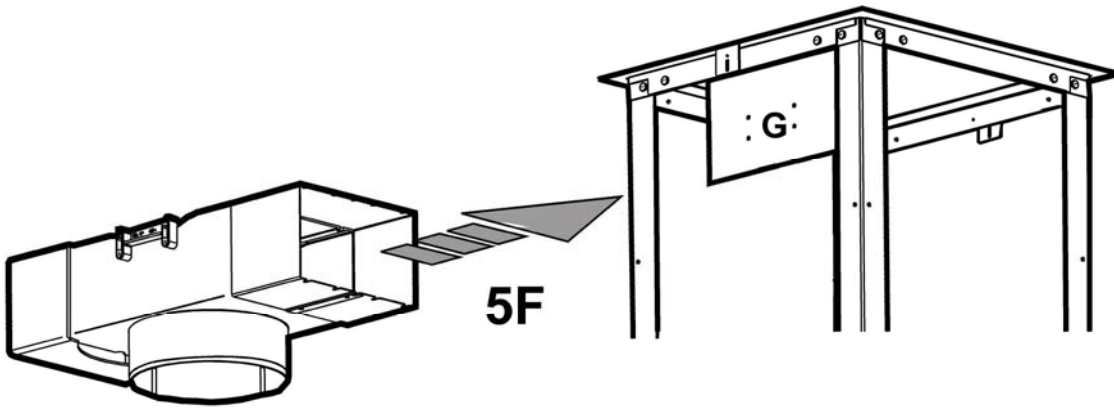
6



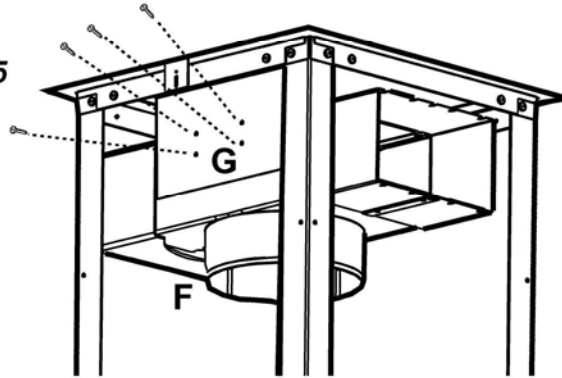
7



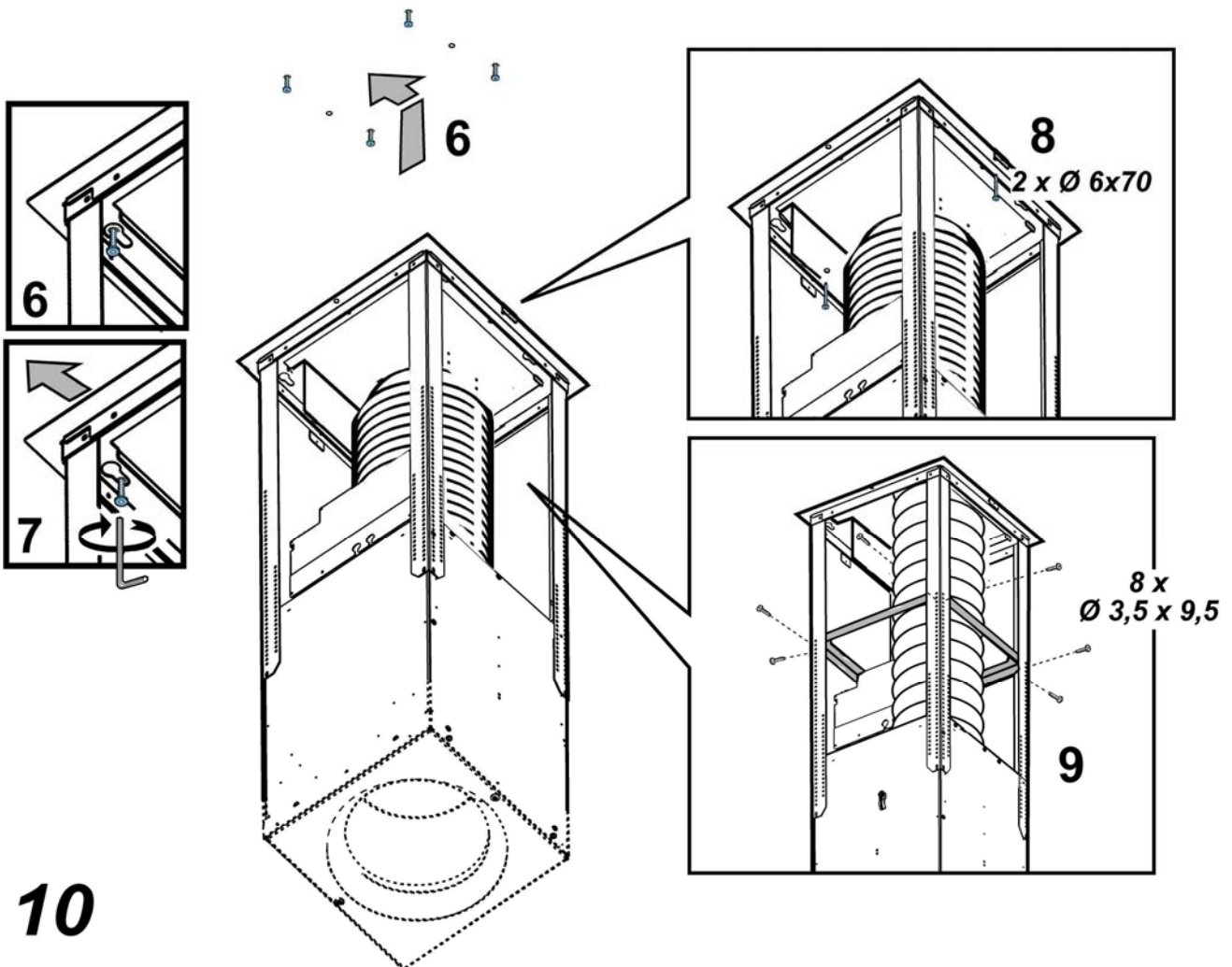
8

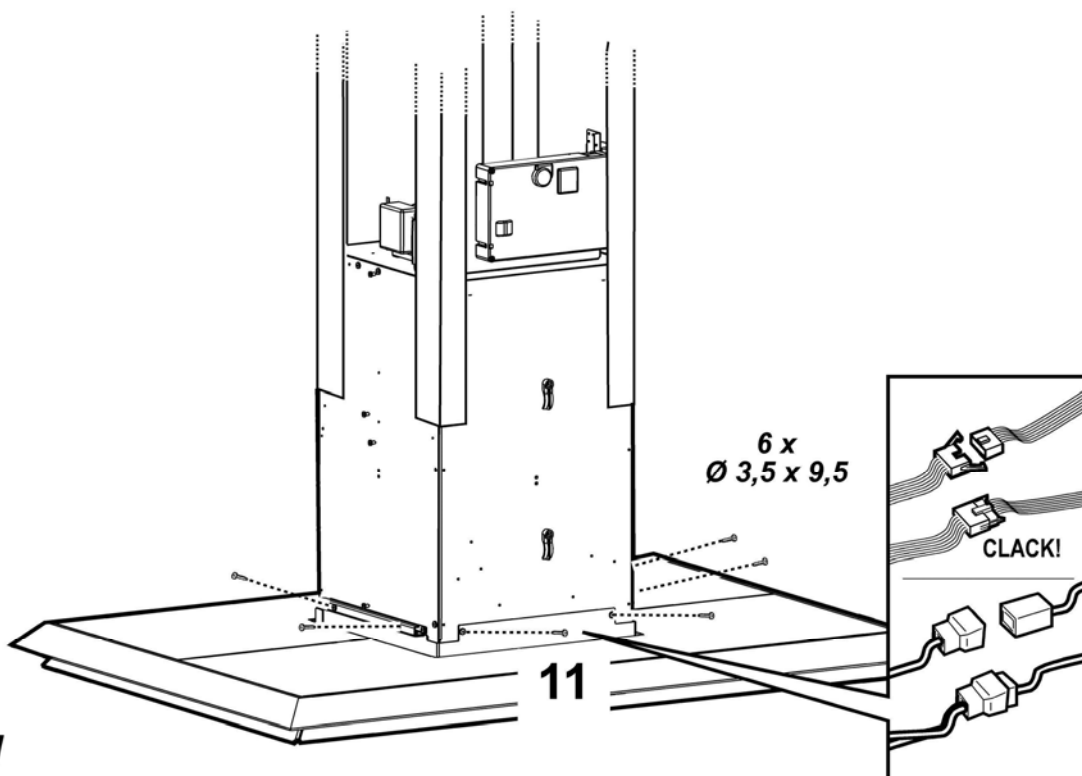
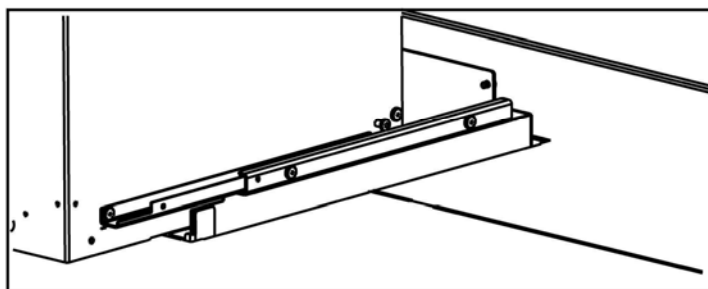
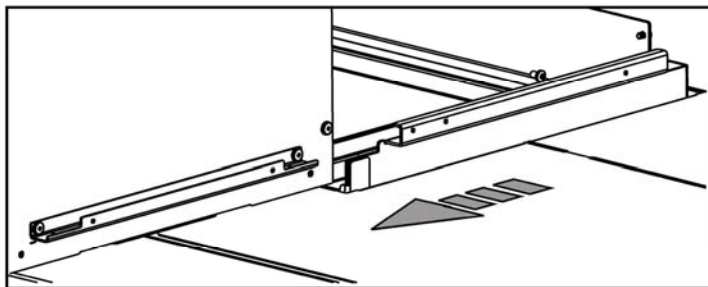
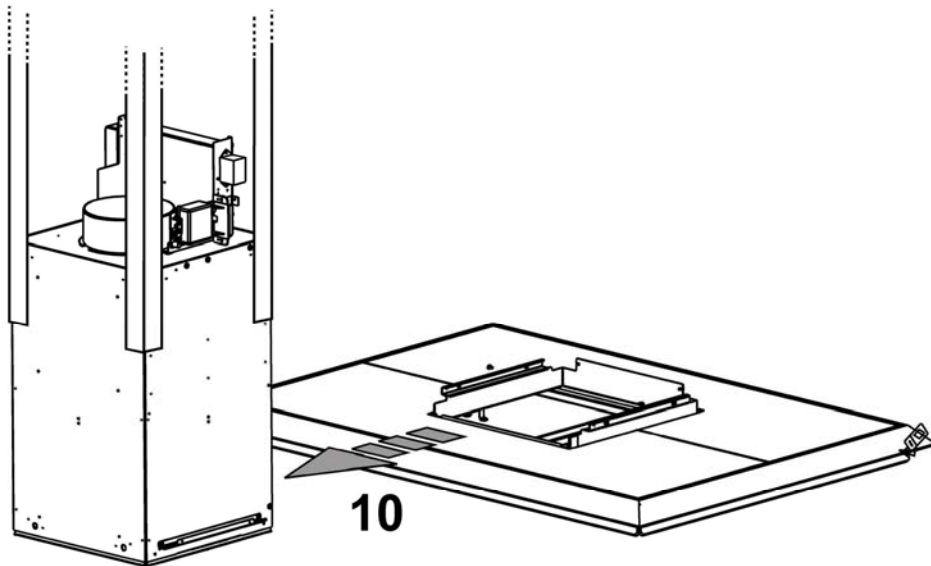


4 x  
Ø 3,5 x 9,5

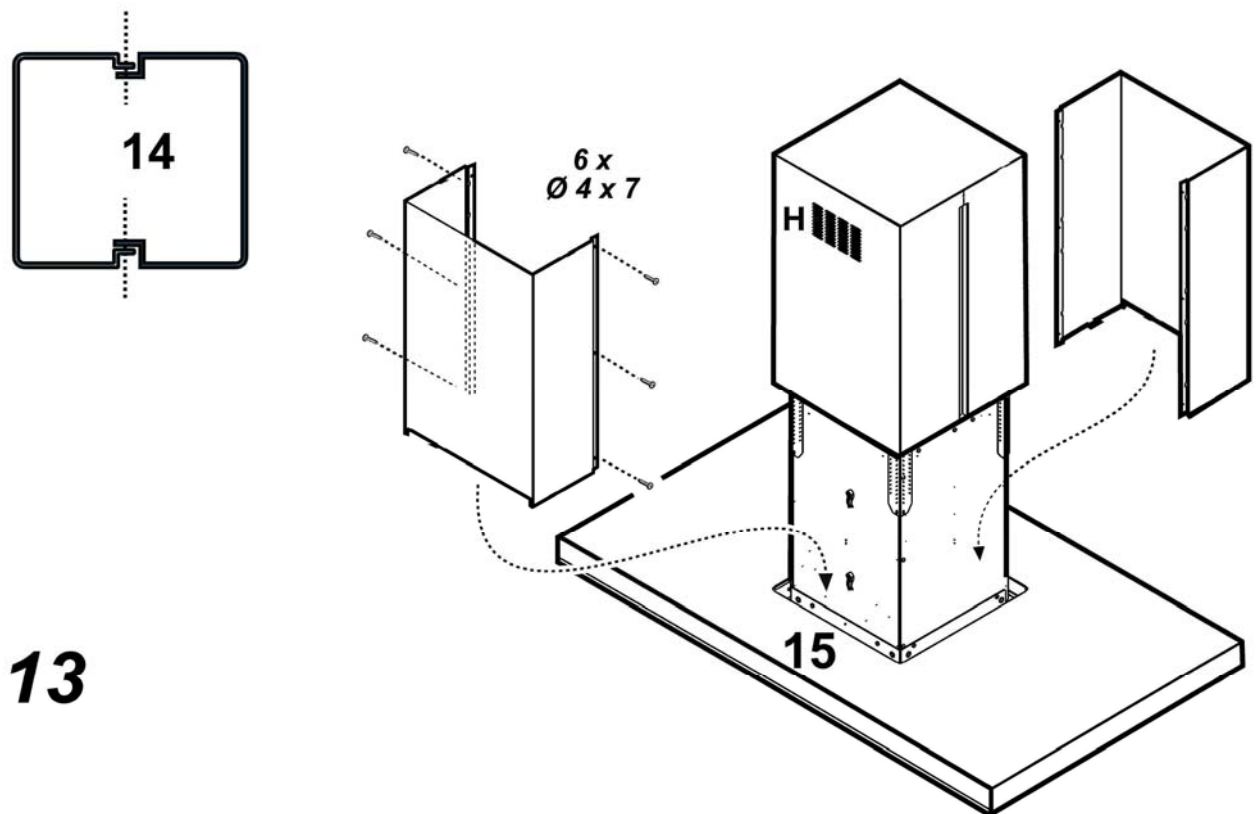
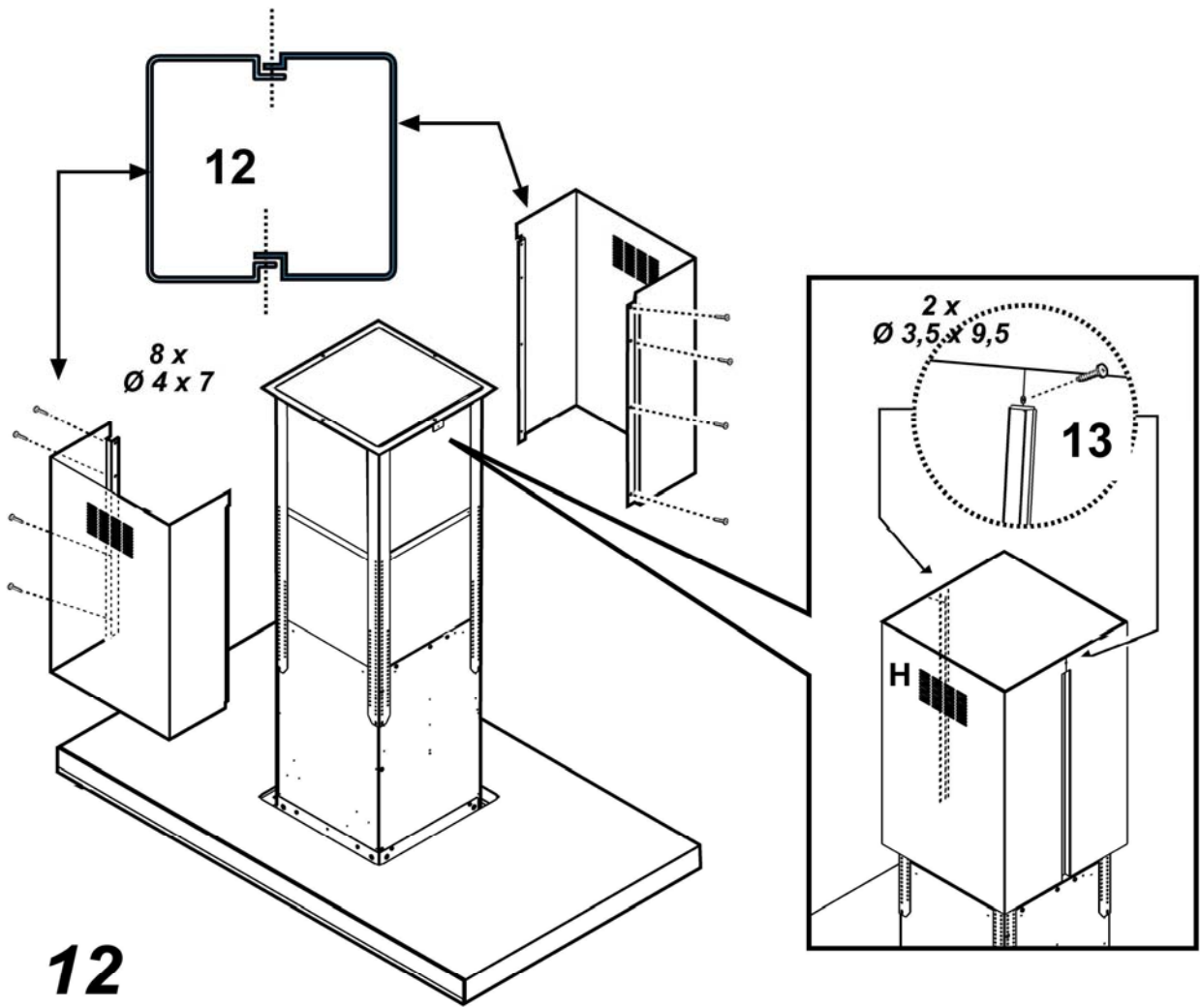


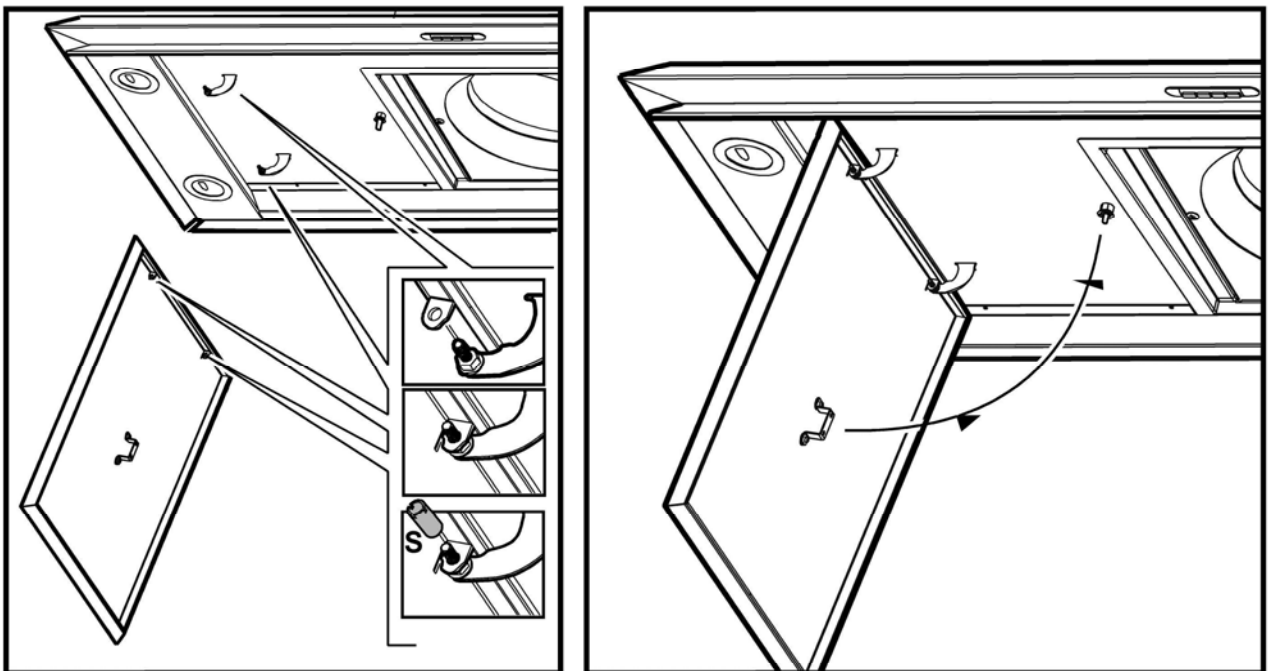
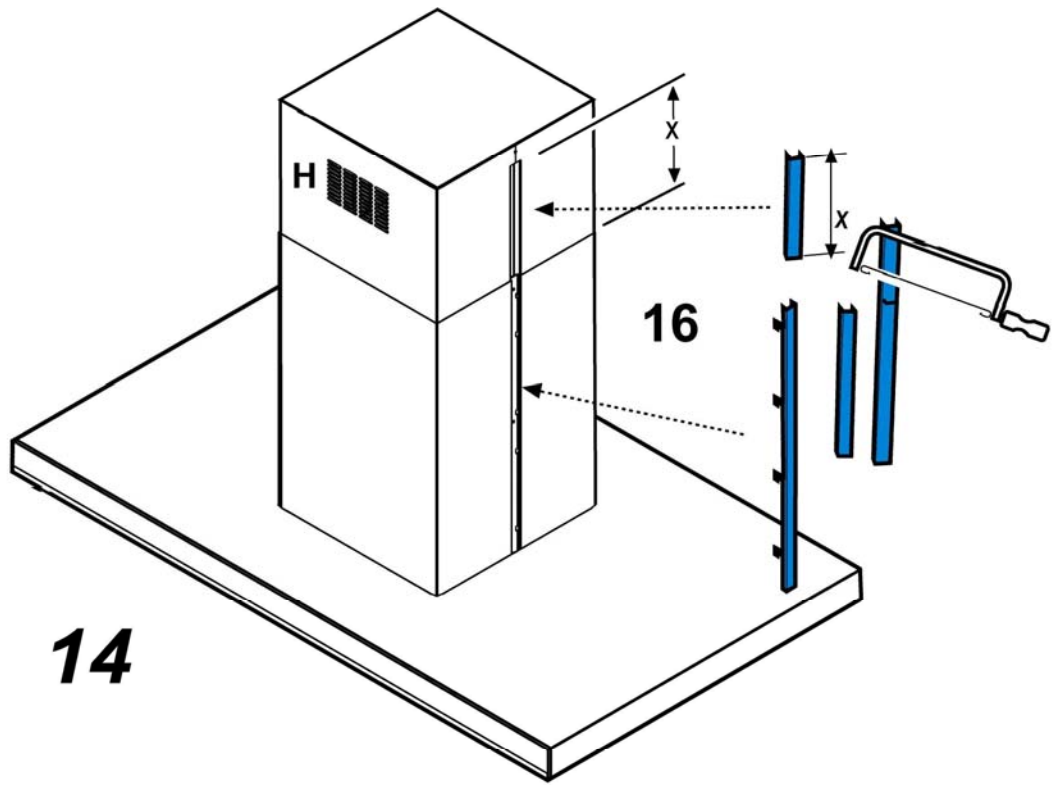
9





11





## EN - Instruction on mounting and use

Consult the designs in the front pages referenced in the text by alphabet letters.

**Closely follow the instructions set out in this manual.** All responsibility, for any eventual inconveniences, damages or fires caused by not complying with the instructions in this manual, is declined.

**Note:** the elements marked with the symbol “(\*)” are optional accessories supplied only with some models or elements to purchase, not supplied.

### **Caution**

**WARNING!** Do not connect the appliance to the mains until the installation is fully complete.

Before any cleaning or maintenance operation, disconnect the hood from the mains by removing the plug or disconnecting the home mains switch.

Always wear work gloves for all installation and maintenance operations.

The appliance is not intended for use by children or persons with impaired physical, sensorial or mental faculties, or if lacking in experience or know-how, unless they are under supervision or have been trained in the use of the appliance by a person responsible for their safety.

Children should be monitored to ensure that they do not play with the appliance.

Never use the hood without effectively mounted grating.!

The hood must NEVER be used as a support surface unless specifically indicated.

The premises must be sufficiently ventilated, when the kitchen hood is used together with other gas combustion devices or other fuels.

The suctioned air must not be conveyed into a conduit used for the disposal of the fumes generated by appliances that combust gases or other fuels.

The flaming of foods beneath the hood itself is severely prohibited.

The use of exposed flames is detrimental to the filters and may cause a fire risk, and must therefore be avoided in all circumstances.

Any frying must be done with care in order to make sure that the oil does not overheat and burst into flames.

As regards the technical and safety measures to be adopted for fume discharging it is important to closely follow the relations provided by the competent authorities.

The hood must be regularly cleaned on both the inside and outside (AT LEAST ONCE A MONTH, it is in any event necessary to proceed in accordance with the maintenance instructions provided in this manual)..

Failure to follow the instructions as concerns hood and filter cleaning will lead to the risk of fires.


Do not use or leave the hood without the lamp correctly mounted because of the possible risk of electric shocks.

We decline any responsibility for any problems, damage or fires caused to the appliance as the result of the non-observance of the instructions included in this manual.

This appliance is marked according to the European directive

2002/96/EC on Waste Electrical and Electronic Equipment (WEEE). By ensuring this product is disposed of correctly, you will help prevent potential negative consequences for the environment and human health, which could otherwise be caused by inappropriate waste handling of this product.



The symbol  on the product, or on the documents accompanying the product, indicates that this appliance may not be treated as household waste. Instead it should be taken to the appropriate collection point for the recycling of electrical and electronic equipment. Disposal must be carried out in accordance with local environmental regulations for waste disposal.

For more detailed information about treatment, recovery and recycling of this product, please contact your local authority.

### **Use**

The hood is designed to be used either for exhausting or filter version.

### **Ducting version**

The hood is equipped with a top air outlet **B** for discharge of fumes to the outside (exhaust pipe and pipe fixing clamps not provided).

Connect the hood and discharge holes on the walls with a diameter equivalent to the air outlet (connection flange).

If this is not possible, a multi-connection is supplied for tubes and discharge holes with a smaller diameter to pressure apply to the air outlet (connection flange).

The hood will become a little noisier.

Using the tubes and discharge holes on walls with smaller dimensions will cause a diminution of the suction performance and a drastic increase in noise.

Any responsibility in the matter is therefore declined.

**Attention! If the hood is supplied with carbon filter, then it must be removed.**

### **Filter version**

Should it not be possible to discharge cooking fumes and vapour to the outside, the hood can be used in the **filter version**, fitting an activated carbon filter and the deflector **F** on the support (bracket) **G**, fumes and vapours are recycled through the top grille **H** by means of an exhaust pipe connected to the top air outlet **B** and the connection ring mounted on the deflector **F** (exhaust pipe and pipe fixing clamps not provided).

**Attention! If the hood is not supplied with carbon filter, then it must be ordered and mounted.**

The models with no suction motor only operate in ducting mode, and must be connected to an external suction device (not supplied).

The connecting instructions are supplied with the peripheral suction unit.

## Installation

The minimum distance between the supporting surface for the cooking vessels on the hob and the lowest part of the range hood must be not less than 50cm from electric cookers and 65cm from gas or mixed cookers.

If the instructions for installation for the gas hob specify a greater distance, this must be adhered to.

### Electrical connection

The mains power supply must correspond to the rating indicated on the plate situated inside the hood. If provided with a plug connect the hood to a socket in compliance with current regulations and positioned in an accessible area. If it not fitted with a plug (direct mains connection) or if the plug is not located in an accessible area apply a double pole switch in accordance with standards which assures the complete disconnection of the mains under conditions relating to over-current category III, in accordance with installation instructions.

**Warning!** Before re-connecting the hood circuit to the mains supply and checking the efficient function, always check that the mains cable is correctly assembled.

## Mounting

### Before beginning installation:

- Check that the product purchased is of a suitable size for the chosen installation area.
- To facilitate installation, remove the fat filters and the other parts allowed and described here, dismantle and mount it.  
To remove see also the relative paragraphs.
- Remove the active carbon (\*) filter/s if supplied (see also relative paragraph). This/these is/are to be mounted only if you want to use the hood in the filtering version.
- Check (for transport reasons) that there is no other supplied material inside the hood (e.g. packets with screws (\*), guarantees (\*), etc.), eventually removing them and keeping them.
- If possible, disconnect and move freestanding or slide-in range from cabinet opening to provide easier access to rear wall/ceiling. Otherwise put a thick, protective covering over countertop, cooktop or range to protect from damage and debris. Select a flat surface for assembling the unit. Cover that surface with a protective covering and place all canopy hood parts and hardware in it.
- Disconnect the hood during electrical connection, by turning the home mains switch off.
- In addition check whether near the installation area of the hood (in the area accessible also with the hood mounted) an electric socket is available and it is possible to connect a fumes discharge device to the outside (only suction version).
- Carry out all the masonry work necessary (e.g. installation of an electric socket and/or a hole for the passage of the discharge tube).

Expansion wall plugs are provided to secure the hood to most

types of walls/ceilings. However, a qualified technician must verify suitability of the materials in accordance with the type of wall/ceiling. The wall/ceiling must be strong enough to take the weight of the hood. **Do not tile, grout or silicone this appliance to the wall. Surface mounting only.**

### Fig. 6

1. Adjust extension of the hood support structure, as the final height of the hood depends on this.

**Note:** In some cases the upper section of the lattice is fixed to the lower section with one or more screws, eventually check and remove them temporarily to allow the adjustment of the support structure.

2. Fix the two sections of the structure with a total of 16 screws (four per corner).

**Note:** If envisaged, insert the reinforcement bracket in the lattice and put it on top of the motor unit.

The bracket should be fixed in place again only after the perforated frame has been fitted to the ceiling.

### Fig. 7

3. Apply the drilling template to the ceiling vertically over the cooking top (the centre of the template should correspond to the centre of the cooking top and the sides should be parallel to the sides of the cooking top – the side of the template with the word FRONT (or with the arrows) corresponds to the control panel side). Connect the electricity.
4. Drill as shown (6 holes for 6 wall plugs – 4 plugs for fixture), screw the outer screws leaving a space of about 1 cm. between the screw head and the ceiling.

### Fig. 8-9

5. Fit an exhaust pipe inside the truss and connect it to the motor compartment connection ring (exhaust pipe and fixing brackets are not supplied).

For filter versions (5F), fit deflector **F** to the truss and secure it to the bracket supplied using 4 screws, then connect the exhaust pipe to the connection ring located on the deflector.

### Fig. 10

6. Hook the frame onto the 4 screws (see step 4).  
**CAUTION!** The side of the truss with connection box corresponds to the side of the control panel with hood assembled.
7. Tighten the 4 screws.
8. Insert and tighten another 2 screws in the remaining free holes for secure fixing.

**Note - only for the suction Version: connect the upper end of the discharge tube to the discharge device toward the exterior (e.g. hole in the ceiling).**

9. Fix the reinforcement bracket (see operation 2) to the lattice in as intermediate a position as possible.

## Remove the grease filters.

Carry out the electrical connection to the mains power supply, only turn on the power supply upon completion of assembly.

### Fig. 11

- Secure the hood to the lattice and check that it is perfectly secured.  
Secure the hood to the truss using 6 screws.
- Connect the electricity of the command instrument panel and the lamps.

### Fig. 12

- Join the two top sections of the flue to cover the truss so that one of the slots on the sections is situated on the same side of the control panel and the other on the opposite side. Screw the two sections together with 8 screws (4 each side- see the plan diagram for joining the two sections).
- Fix the top flue assembly to the truss, near the ceiling, with 2 screws (one each side).

### Fig. 13

- Couple the two lower sections of the flue to cover the trellis using 6 screws (3 per side. See also the diagram plan for coupling the two sections).
- Insert the bottom section of the flue in its seat so that it completely covers the motor compartment and electrical connection box, then ensure it from inside the hood using 2 screws.

### Fig. 14

- Apply the 2 tabs (supplied) to cover the fixing points of the bottom flue (CAUTION! THE BOTTOM FLUE TABS ARE THE NARROWER AND SHALLOWER ONES).  
The wider and deeper tabs are those used for the top flue, and must be cut to size.

## Refit the grease filters.

Turn the mains power on again at the central electrical panel and check for correct hood operation.

## Additional instructions for the montage

### Installing the panel

(number and form of the panels can vary on the basis of the model)

The panel is supplied dismounted.

Hook the panel onto the pins of the hood and fix with the supplied latch **S** (the number varies on the basis of the model - **safety-fixing compulsory!**).

Rotate the panels to cover the suction area and hook to the central pin, pressing with decision.

Check that the panel is blocked in position. **Fig. 15**

Proceed in the same way with the next panel.

## Description of the hood

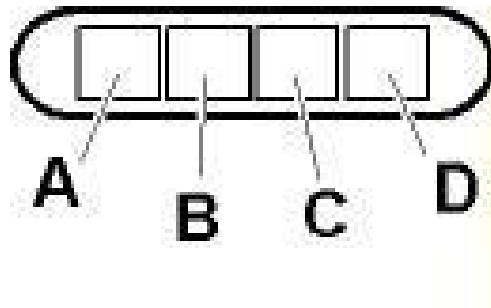
### Fig. 1

- Control panel
- Grease filter
- Grease filter release handle
- Halogen lamp
- Vapour catcher
- Telescopic chimney
- Air outlet (used for filter version only)
- Panel

## Operation

Use the high suction speed in cases of concentrated kitchen vapours. It is recommended that the cooker hood suction is switched on for 5 minutes prior to cooking and to leave in operation during cooking and for another 15 minutes approximately after terminating cooking.

## Control panel



- A. on/off light switch
- B. on/off aspiration switch and minimum power selection
- B+C. medium power selection aspiration switch
- B+D. maximum power selection aspiration switch

## Maintenance

**ATTENTION!** Before performing any maintenance operation, isolate the hood from the electrical supply by switching off at the connector and removing the connector fuse.

Or if the appliance has been connected through a plug and socket, then the plug must be removed from the socket.

## Cleaning

The cooker hood should be cleaned regularly (at least with the same frequency with which you carry out maintenance of the fat filters) internally and externally. Clean using the cloth dampened with neutral liquid detergent. Do not use abrasive products. **DO NOT USE ALCOHOL!**

**WARNING:** Failure to carry out the basic cleaning recommendations of the cooker hood and replacement of the filters may cause fire risks.

Therefore, we recommend observing these instructions.

The manufacturer declines all responsibility for any damage to the motor or any fire damage linked to inappropriate maintenance or failure to observe the above safety recommendations.

## Panel

### Fig. 2

#### Dismantling

Press the panel upward decisively, the panel will be released and roll down freely. **ALWAYS ACCOMPANY IT WITH YOUR HAND DURING THIS OPERATION.**

Unscrew safety knob **S** and remove the panel, unhooking it from the attachment pins.

#### Cleaning:

The panel should be cleaned with the same frequency as the fats filter, use a cloth soaked in neutral detergent liquids.

Avoid the use of products containing abrasives. **DO NOT USE ALCOHOL!**

#### Montage:

Accompany the panel upward and press until the pins of the panel fit correctly into the slot of the hood.

**Attention!** Always check that the panel is fixed well in its place.

## Grease filter

### Fig. 3

This must be cleaned once a month using non aggressive detergents, either by hand or in the dishwasher, which must be set to a low temperature and a short cycle. When washed in a dishwasher, the grease filter may discolour slightly, but this does not affect its filtering capacity.

Remove the filter holder frame by turning the knobs (**g**) 90° that affix the chimney to the cooker hood.

## Charcoal filter (filter version only)

### Fig. 5

#### It absorbs unpleasant odours caused by cooking.

The charcoal filter can be washed once every two months using hot water and a suitable detergent, or in a dishwasher at 65°C (if the dishwasher is used, select the full cycle function and leave dishes out).

Eliminate excess water without damaging the filter, then put it in the oven for 10 minutes at 100° C to dry completely.

Replace the mattress every 3 years and when the cloth is damaged.

#### Assembly

Place the mat around the grease filter and fix it in place using the devices provided.

Position the upper cap and fix it in place using the fixing pin.

To disassemble, perform the steps in the reverse order.

## Replacing lamps

### Fig. 4

Disconnect the hood from the electricity.

**Warning!** Prior to touching the light bulbs ensure they are cooled down.

1. Using a flat head screwdriver or equivalent tool, carefully pry loose the light cover.
2. Remove the damaged light and replace with a new 12 Volt, 20 Watt (Maximum) halogen light made for a G-4 base **SUITABLE FOR USE IN OPEN LUMINAIRES.** Follow package directions and do not touch new light with bare hands.
3. Reinstall the light cover. (it will snap shut).

If the lights do not work, make sure that the lamps are fitted properly into their housings before you call for technical assistance.