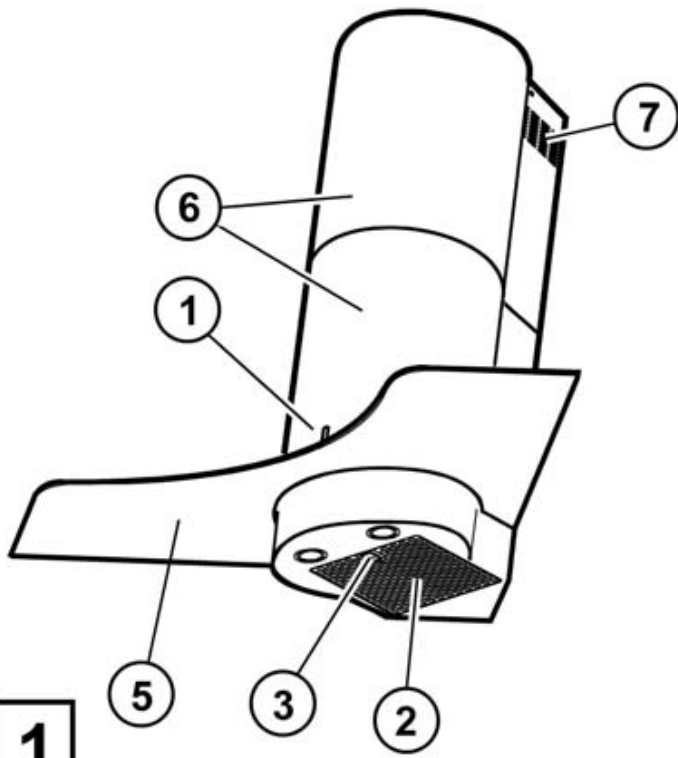
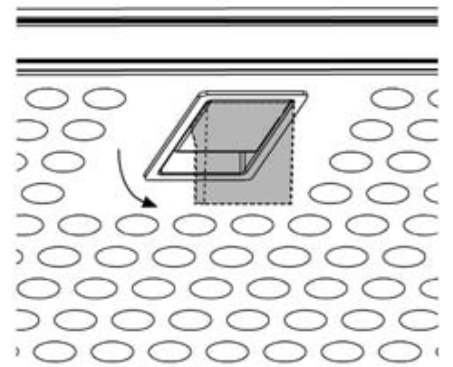


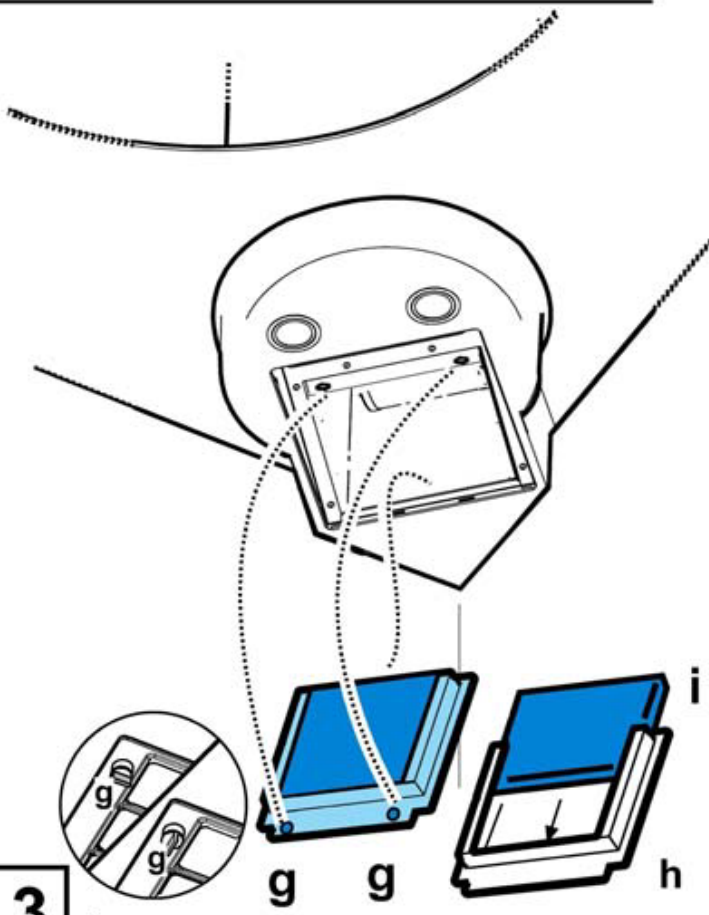
Instruction on mounting and use



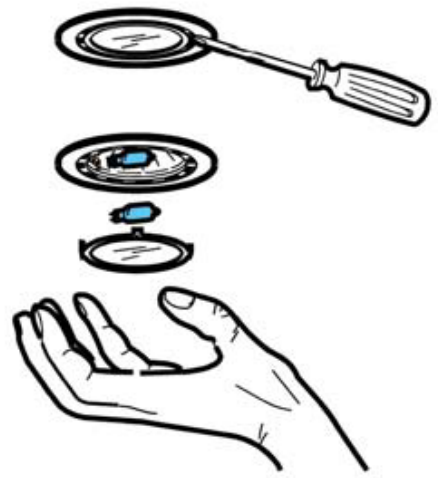
1



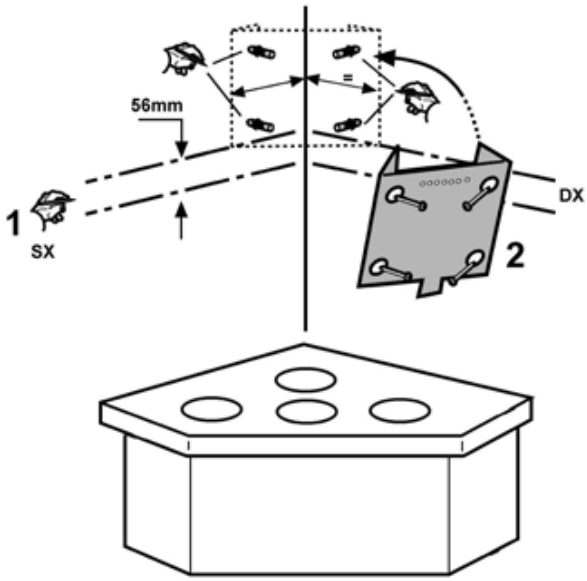
2



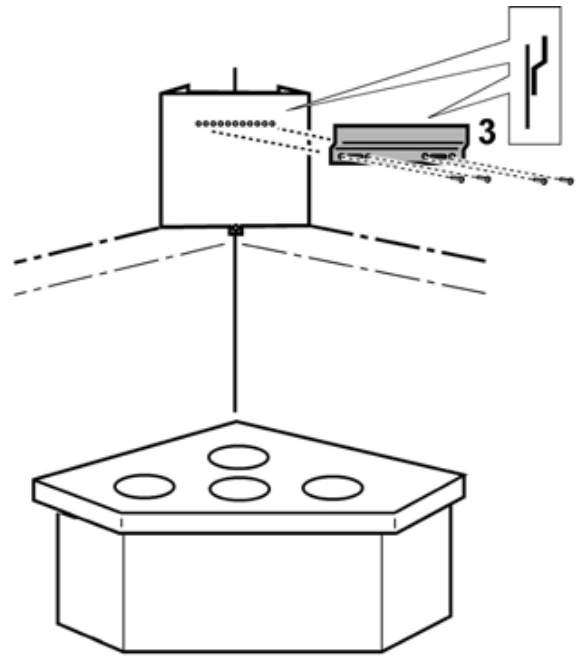
3 *



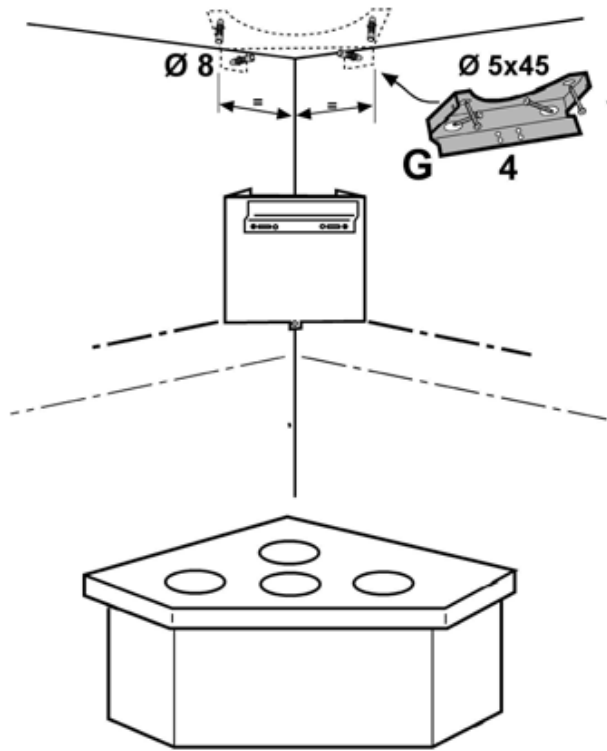
4



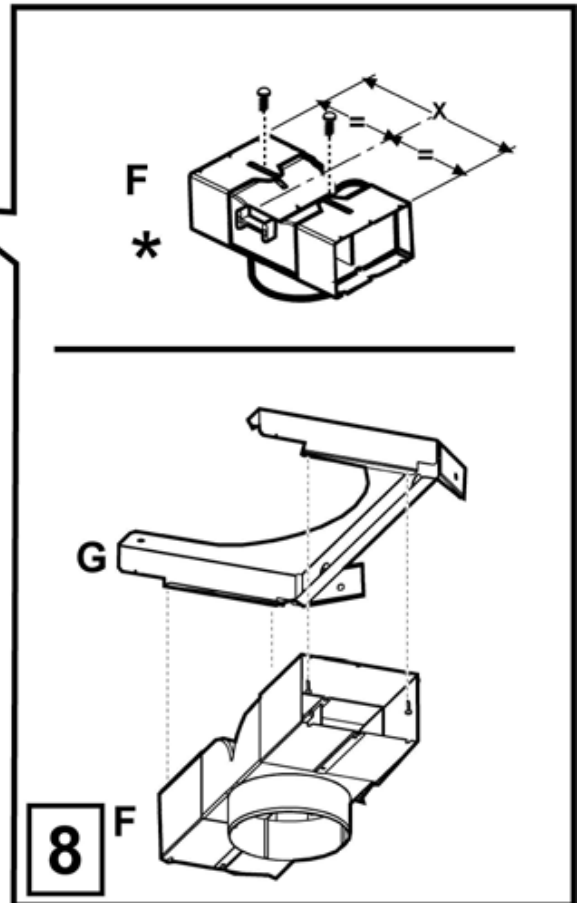
5



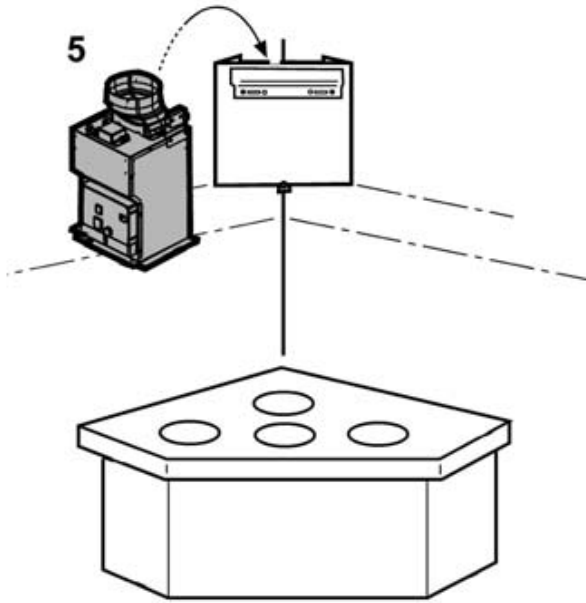
6



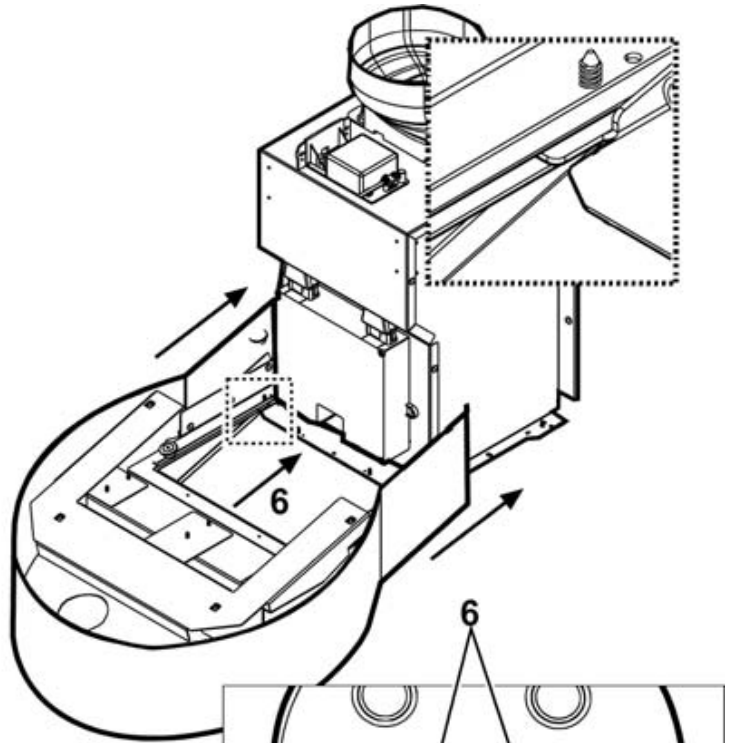
7



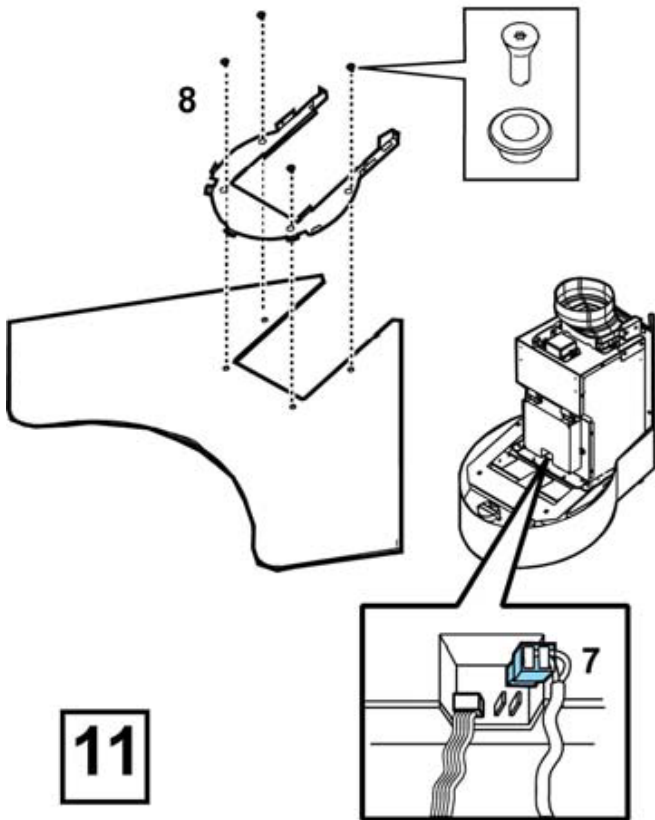
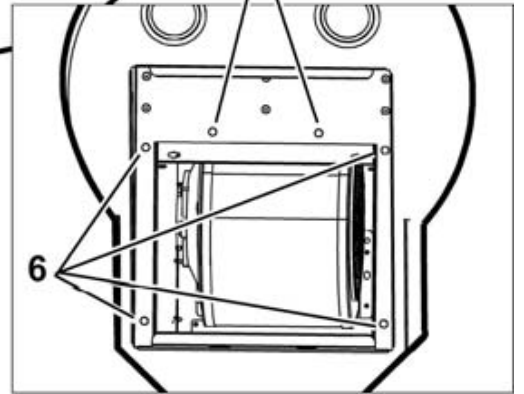
8



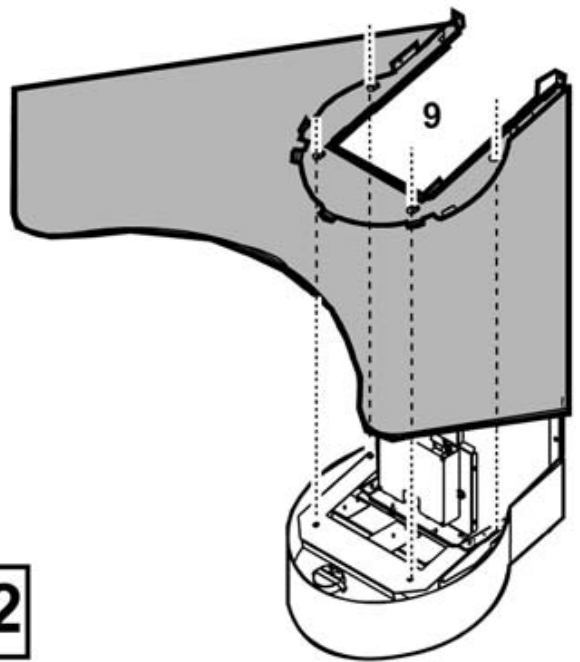
9



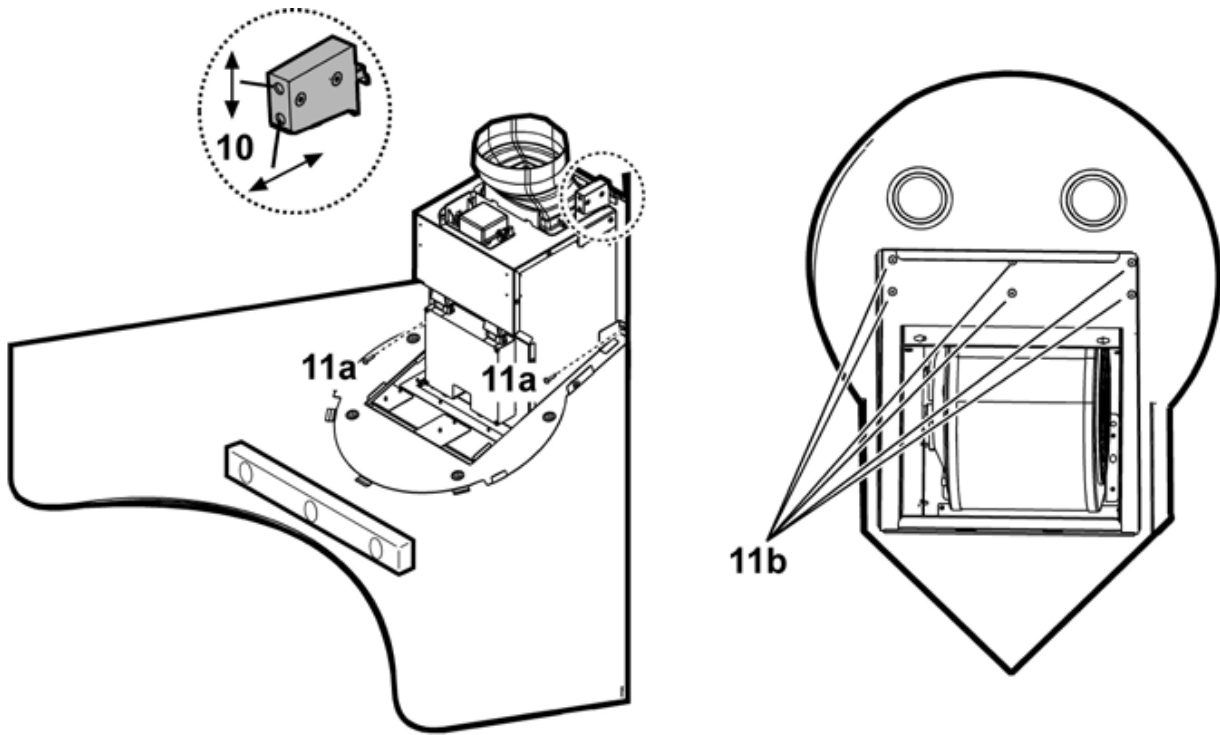
10



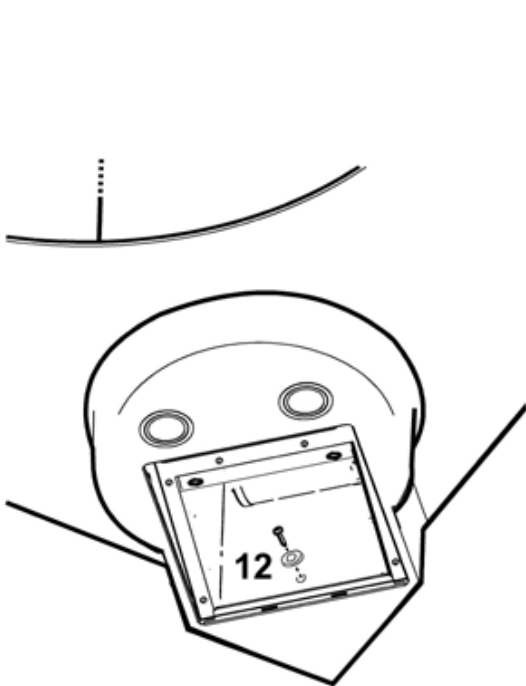
11



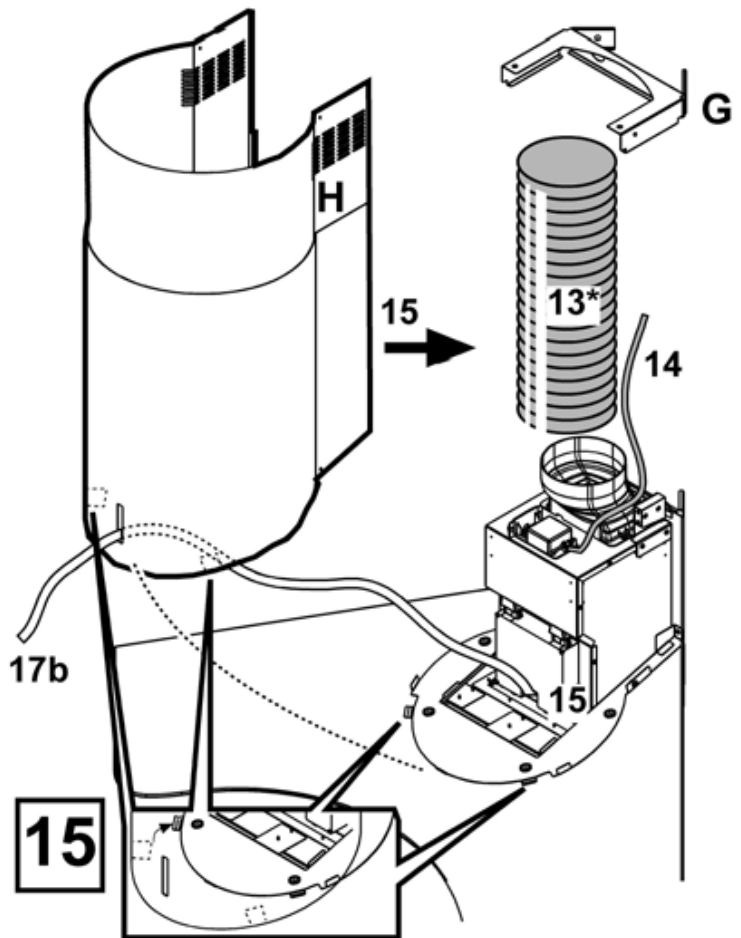
12



13

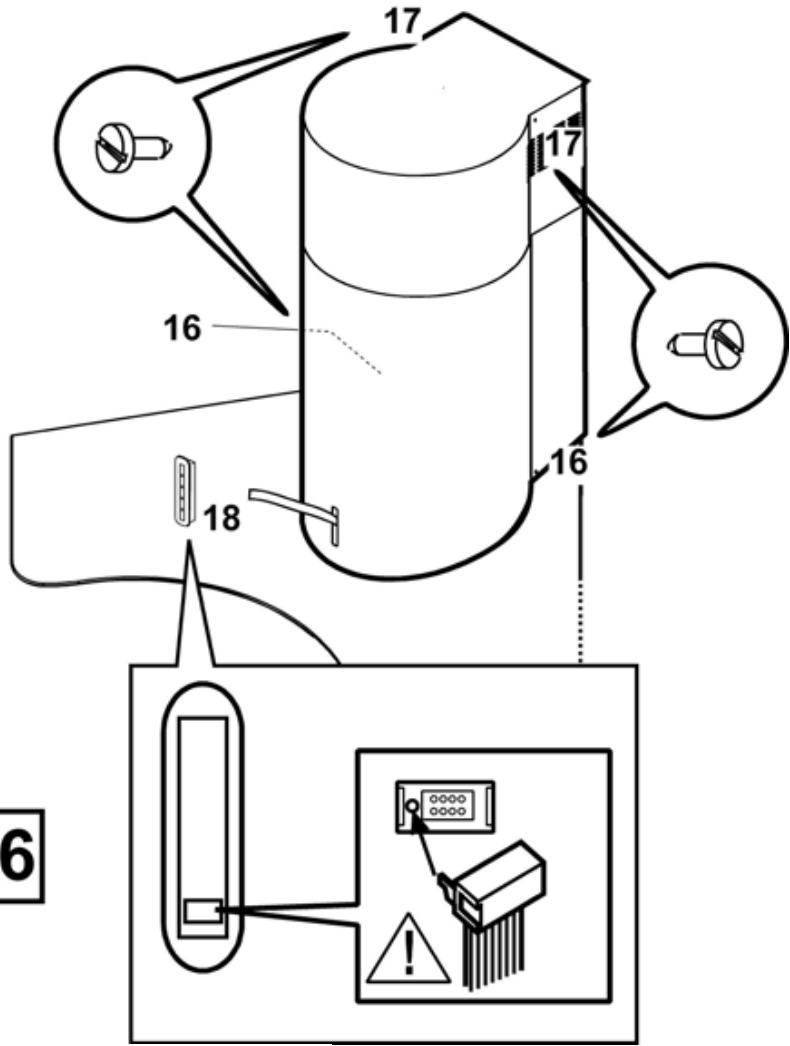


14



15

16



Instruction on mounting and use

Consult the designs in the front pages referenced in the text by alphabet letters.

Closely follow the instructions set out in this manual. All responsibility, for any eventual inconveniences, damages or fires caused by not complying with the instructions in this manual, is declined.

Note: the elements marked with the symbol “(*)” are optional accessories supplied only with some models or elements to purchase, not supplied.

Use

The hood is designed to be used either for exhausting or filter version.

Ducting version

The hood is equipped with a top air outlet **B** for discharge of fumes to the outside (Ø150mm exhaust pipe and pipe fixing clamps are not provided and need to be purchased).

Filter version

Should it not be possible to discharge cooking fumes and vapour to the outside, the hood can be used in the **filter version**, fitting an activated carbon filter and the deflector **F** on the support (bracket) **G**, fumes and vapours are recycled through the top grille **H** by means of an exhaust pipe connected to the top air outlet **B** and the connection ring mounted on the deflector **F** (exhaust pipe and pipe fixing clamps not provided).

The models with no suction motor only operate in ducting mode, and must be connected to an external suction device (not supplied).

Installation

The hood is designed to be installed in a corner of the kitchen. The minimum distance between the supporting surface for the cooking vessels on the hob and the lowest part of the range hood must be not less than 50cm from electric cookers and 65cm from gas or mixed cookers. If the instructions for installation for the gas hob specify a greater distance, this must be adhered to.

Electrical connection

The electrical tension must correspond to the tension noted on the label placed inside the cooker hood. Connect the electrical plug, where provided, to the an easily accessible outlet in conformity with local standards in force. Where an electrical plug is not provided (*for direct connection to electrical network*) or is not easily accessible, place a standards approved bipolar switch that provide full disconnection under overvoltage category III conditions, in accordance with the wiring rules.

Attention: substituting the supply cable must be carried out by the authorised technical assistance service.

Mounting

Expansion wall plugs are provided to secure the hood to most types of walls/ceilings. However, a qualified technician must verify suitability of the materials in accordance with the type of wall/ceiling. The wall/ceiling must be strong enough to take the weight of the hood. **Do not tile, grout or silicone this appliance to the wall. Surface mounting only.**

Attention! The chimney is predisposed for installation of the filter Version.

In certain models where it is required to use the cooker hood in the suction version then it is possible to overturn the upper section of the chimney

and insert it inside the lower section of the chimney so that the air-exit perforations are not visible.

The chimneys in which this operation is possible are recognizable by their bracket fixing points **G** which are repeated also in the lower side of the upper section of the chimney.

Fig. 5-6-7-8-9-10-11-12-13-14-15-16

Attention! We advise you to have this hood installed by a qualified technical installer. It is, in fact, necessary to proceed with installation with the maximum expertise. It is necessary to have a professional type of level and a drill with a Ø8 mm point for walls, a Ø3.5 mm point for metal and a screwdriver for installation.

Disconnect the hood, working on the main domestic panel during the phases of connecting the electricity.

Remove the fats filter/s and the frame of the carbon filter.

1. Make 2 pairs of PERFECTLY HORIZONTAL lines with a pencil on the right and left walls in the corner where you want to mount the hood:

The first pair is the distance between the cooking top and the hood.

The second pair, 56mm higher than the first, indicates the positioning of the lower side of the support structure of the hood.

2. Place the support structure on the corner of the wall so that its right and left sides are equidistant from the corner of the wall (check in addition that the side with the series of horizontal holes is turned upwards), mark and make four external holes, insert 4 wall dowels and fix with 4 screws.
3. Fix the lower support bracket to the support structure with 4 screws.

4. Put flues support bracket „**G**“ on the wall, adhering to the ceiling so that its right and left sides are equidistant from the corner of the wall, use the flues support bracket as a perforating diagram and mark 4 holes with the pencil, make the holes and insert 4 dowels.

Suction version/Filter version: Fix the flue support bracket to the wall and the ceiling with 4 screws.

Only filtering version: adjust the extension of deflector **F** on the basis of the width of flues support bracket **G**, fix

the extensions with 2 screws and fix the deflector to the flues support bracket with 4 screws.

5. Hook the hood onto the lower support bracket.
 6. Insert the lower part of the hood to the suction unit and fix with 6 screws.
Attention! The hood is not yet definitively fixed to the wall, every successive operation must therefore be carried out with caution to avoid the hood unhooking from the support bracket and causing damage to people or things.
 7. Connect the electricity between the two parts.
 8. To assemble the steam screen and the flue-centring bracket, use the screws and bushes supplied.
 9. Fix the flue-centring steam screen - bracket unit above the hood.
 10. Adjust the distance of the hood from the wall and the horizontal set of the hood with the 2 adjustment screws on the hooks of the hood.
 11.
 - a. Definitely fix the steam screen-flue centring bracket with 2 screws.
 - b. Additional small adjustments of the position of the steam screen can be made loosening the 6 screws from inside the hood. Once the adjustment has been completed, tighten the 6 screws up again.
 12. Fix the motor unit to the support structure definitively: make a Ø2.5 mm pilot hole on the support structure with a drill, passing through the lower hole inside the motor housing, after which fix definitively with 1 screw and washer.
 13. Carry out the connection of a tube (tube and strips for fixing not supplied, to be purchased) for the discharge of fumes to the connection ring over the suction motor unit. The other end of the tube must be connected to a device for the expulsion of fumes outside in the case of using the hood in the suction version or to deflector **F** in the case of using the hood in the filtering version.
 14. Connect the electricity.
 15. Apply the flues to cover the discharge tube, making the plate extrude from the slot of the lower section of the flue.
Note: check that the tongues of the lower section of the flue enter under the tongues of the centring bracket, blocking it.
 16. Fix with 2 screws.
 17. Extract the upper part of the flue and fix it to the flues support bracket „**G**“ with 2 screws.
 18. Connect the plate to the control panel and fix it to the rectangular slot (flush fixing).
- Mount the frame of the carbon filter and the fats filter/s again and check the perfect functioning of the hood.

Description of the hood

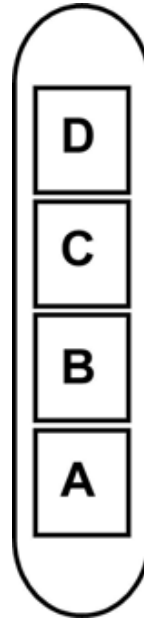
Fig. 1

1. Control panel
2. Grease filter
3. Grease filter release handle
4. Halogen lamp
5. Vapour screen
6. Telescopic chimney

7. Air outlet (used for filter version only)

Operation

Use the high suction speed in cases of concentrated kitchen vapours. It is recommended that the cooker hood suction is switched on for 5 minutes prior to cooking and to leave in operation during cooking and for another 15 minutes approximately after terminating cooking.



- A. on/off light switch.
- B. on/off aspiration switch and minimum power selection
- B+C. medium power selection aspiration switch
- B+D. maximum power selection aspiration switch

Maintenance

Before performing any maintenance operation, isolate the hood from the electrical supply by switching off at the connector and removing the connector fuse.

Or if the appliance has been connected through a plug and socket, then the plug must be removed from the socket.

Cleaning

The cooker hood should be cleaned regularly (at least with the same frequency with which you carry out maintenance of the fat filters) internally and externally. Clean using the cloth dampened with neutral liquid detergent. Do not use abrasive products.

DO NOT USE ALCOHOL!

Grease filter

This must be cleaned once a month (or when the filter saturation indication system – if envisaged on the model in possession – indicates this necessity) using non aggressive detergents, either by hand or in the dishwasher, which must be set to a low temperature and a short cycle.

When washed in a dishwasher, the grease filter may discolour slightly, but this does not affect its filtering capacity.

To remove the grease filter, pull the spring release handle.

Fig. 2

Charcoal filter (filter version only)

It absorbs unpleasant odours caused by cooking.

The charcoal filter can be washed once every two months (or

when the filter saturation indication system – if envisaged on the model in possession – indicates this necessity) using hot water and a suitable detergent, or in a dishwasher at 65°C (if the dishwasher is used, select the full cycle function and leave dishes out).

Eliminate excess water without damaging the filter, then remove the mattress located inside the plastic frame and put it in the oven for 10 minutes at 100° C to dry completely. Replace the mattress every 3 years and when the cloth is damaged.

Remove the filter holder frame by turning the knobs (g) 90° that affix the chimney to the cooker hood.

Insert the pad (i) of activated carbon into the frame (h) and fit the whole back into its housing (j).

Fig. 3

It is possible to use a traditional carbon filter, neither washable nor regenerable, to be replaced every 3 - 4 months. The filter holder frame of the carbon filter is welded together; the eventual frame supplied with the hood is not, therefore, to be used.

Insert it into its housing and fix it turning the 2 plastic knobs.

Replacing lamps

Fig. 4

Disconnect the hood from the electricity.

Warning! Prior to touching the light bulbs ensure they are cooled down.

1. Extract the guard by levering it off with a small screwdriver or similar tool.
2. Replace the damaged light bulb.
Only use halogen bulbs of 20W max (G4), making sure you do not touch them with your hands.
3. Close the lamp cover (it will snap shut).

If the lights do not work, make sure that the lamps are fitted properly into their housings before you call for technical assistance.

Caution

Never use the hood without the grill mounted!

The hood must NEVER be used as a support unless expressly indicated.

This appliance is not intended for use by persons (including children) with reduced physical, sensory or mental capabilities, or lack of experience and knowledge, unless they have been given supervision or instruction concerning use of the appliance by a person responsible for their safety.

Children should be supervised to ensure that they do not play with the appliance.

The premises must have sufficient ventilation when the kitchen hood is used at the same time as other apparatuses fuelled by gas or other fuels.

The sucked air must not be conveyed in a conduit used for discharging fumes produced by apparatuses fuelled by gas or other fuels.

Cooking on the flame under the hood (flambé) is strictly forbidden.

The use of open flame damages the filters and can cause a fire; it must therefore be avoided in any case.

Frying must be carried out under control in order to prevent overheated oil catching fire.

Keep strictly to the regulations envisaged by the competent local authority as far as the technical and safety measures to adopt for discharging fumes are concerned.


The hood is to be cleaned frequently both internally and externally.

Failure to observe the regulations about cleaning the hood and substituting and cleaning the filters can lead to the risk of fire.

Any responsibility is declined for possible inconveniences, damage or fire caused to the apparatus deriving from failure to observe the instructions shown in this manual.

This appliance is marked according to the European directive 2002/96/EC on Waste Electrical and Electronic Equipment (WEEE). By ensuring this product is disposed of correctly, you will help prevent potential negative consequences for the environment and human health, which could otherwise be caused by inappropriate waste handling of this product.



The symbol  on the product, or on the documents accompanying the product, indicates that this appliance may not be treated as household waste. Instead it shall be handed over to the applicable collection point for the recycling of electrical and electronic equipment. Disposal must be carried out in accordance with local environmental regulations for waste disposal.

For more detailed information about treatment, recovery and recycling of this product, please contact your local city office, your household waste disposal service or the shop where you purchased the product.

