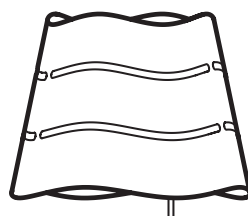
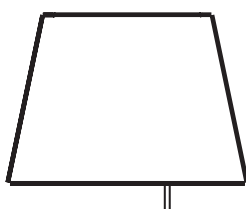
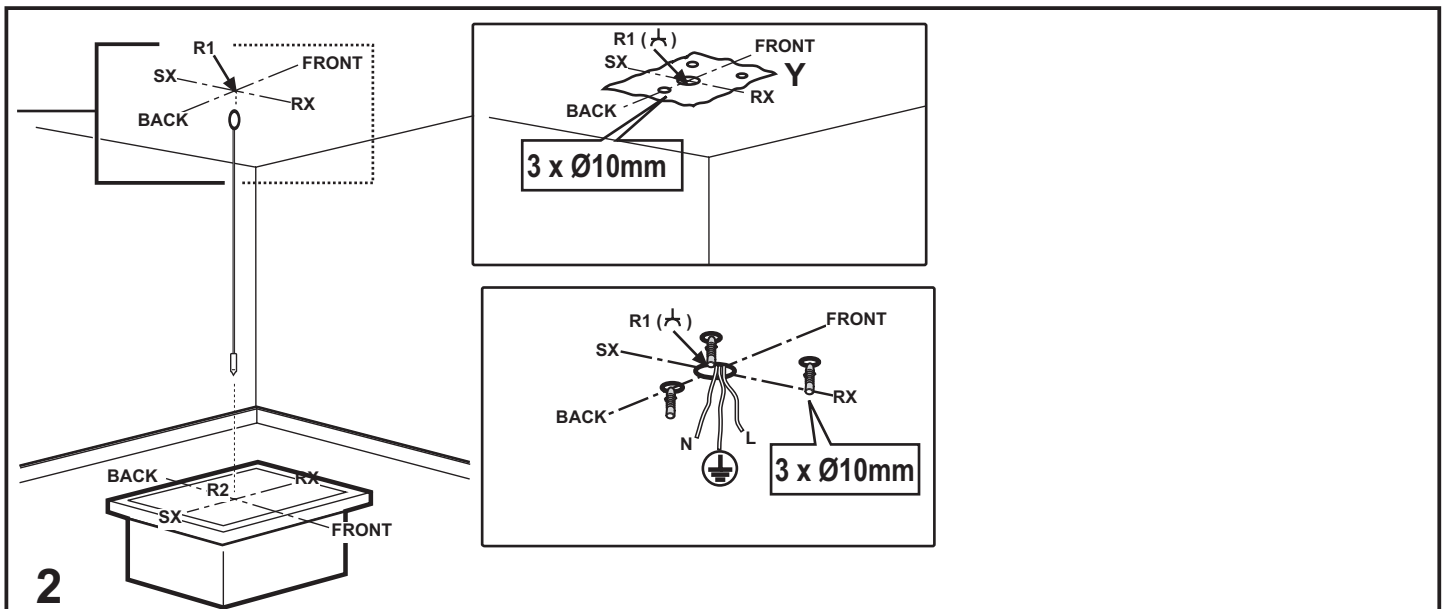
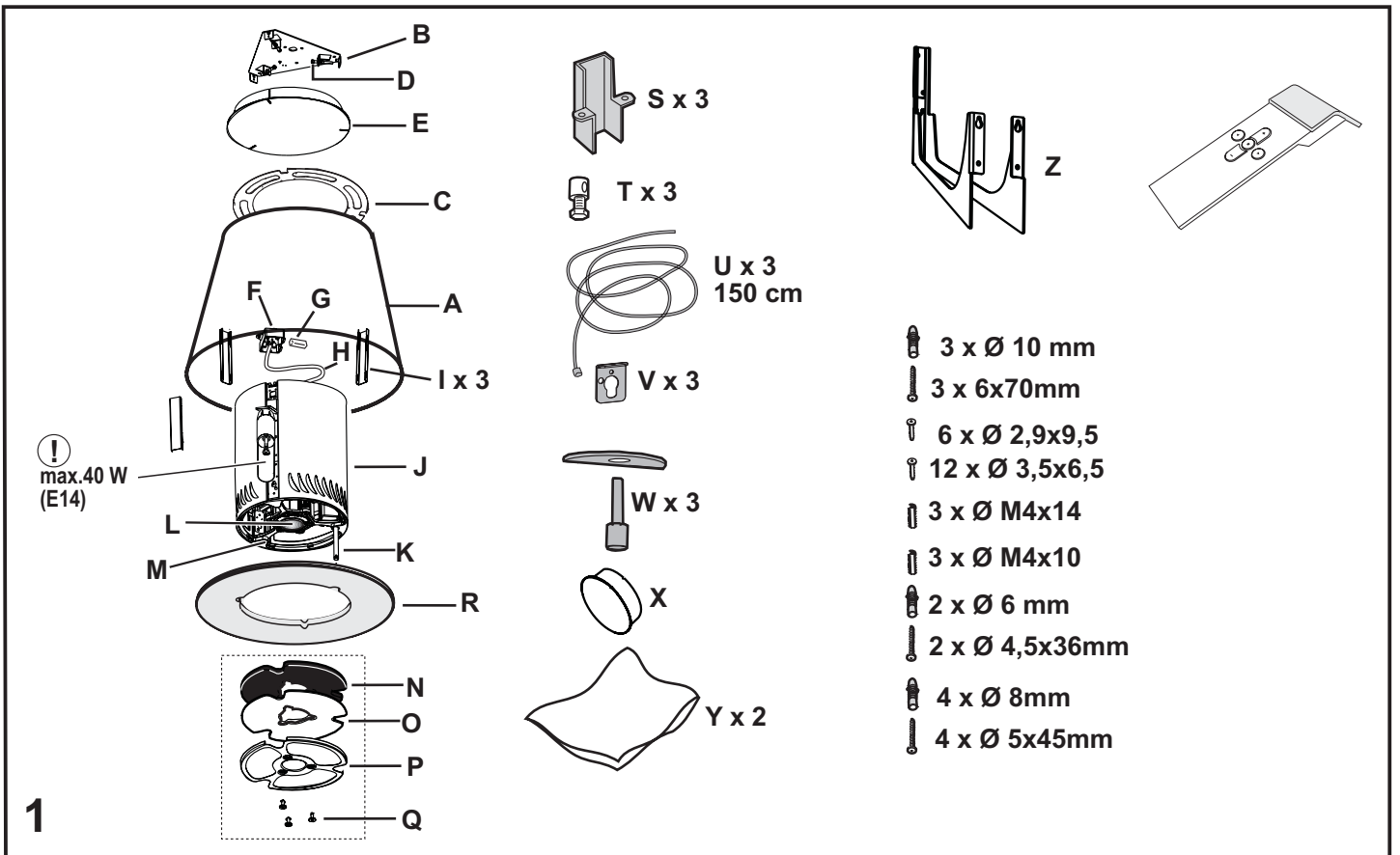
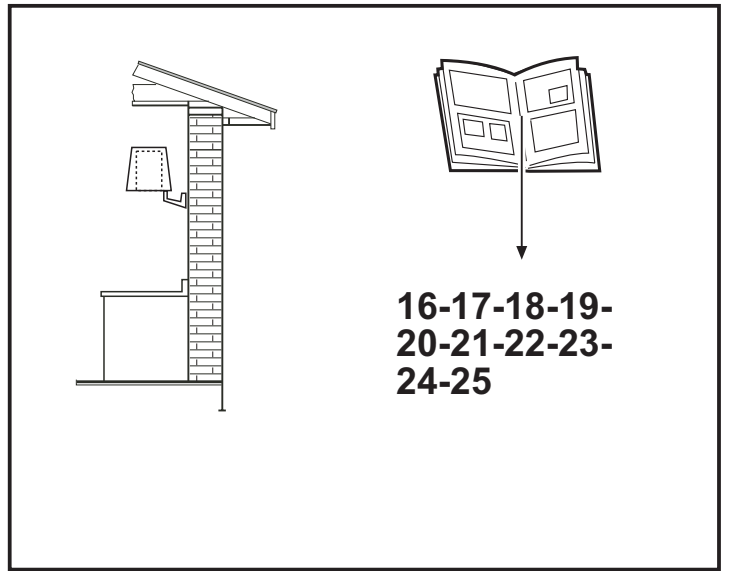
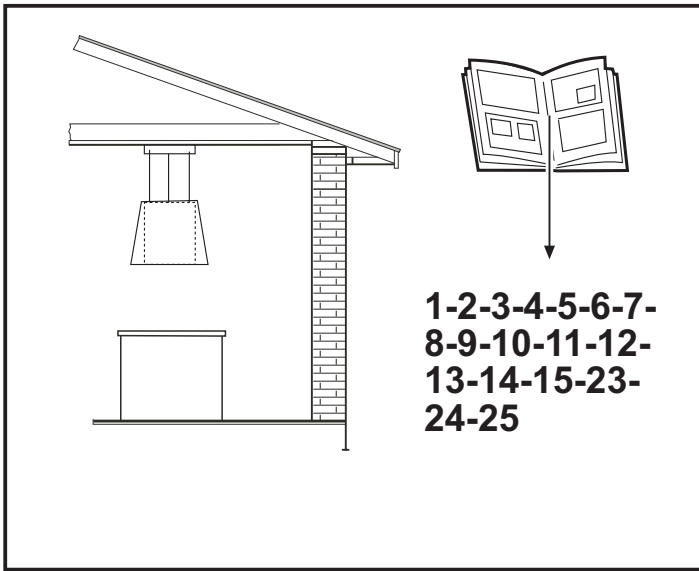
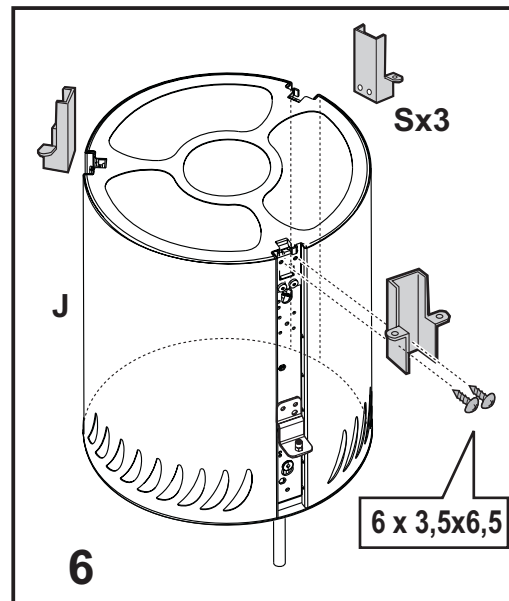
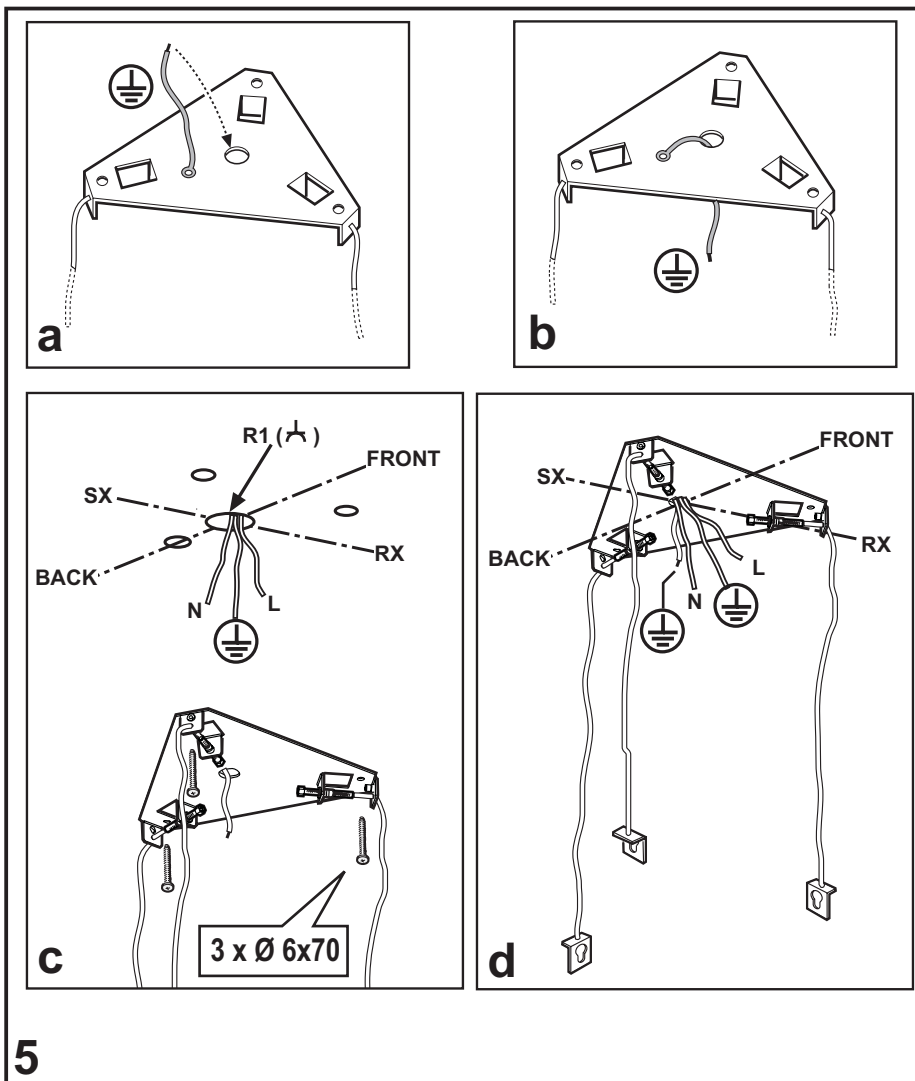
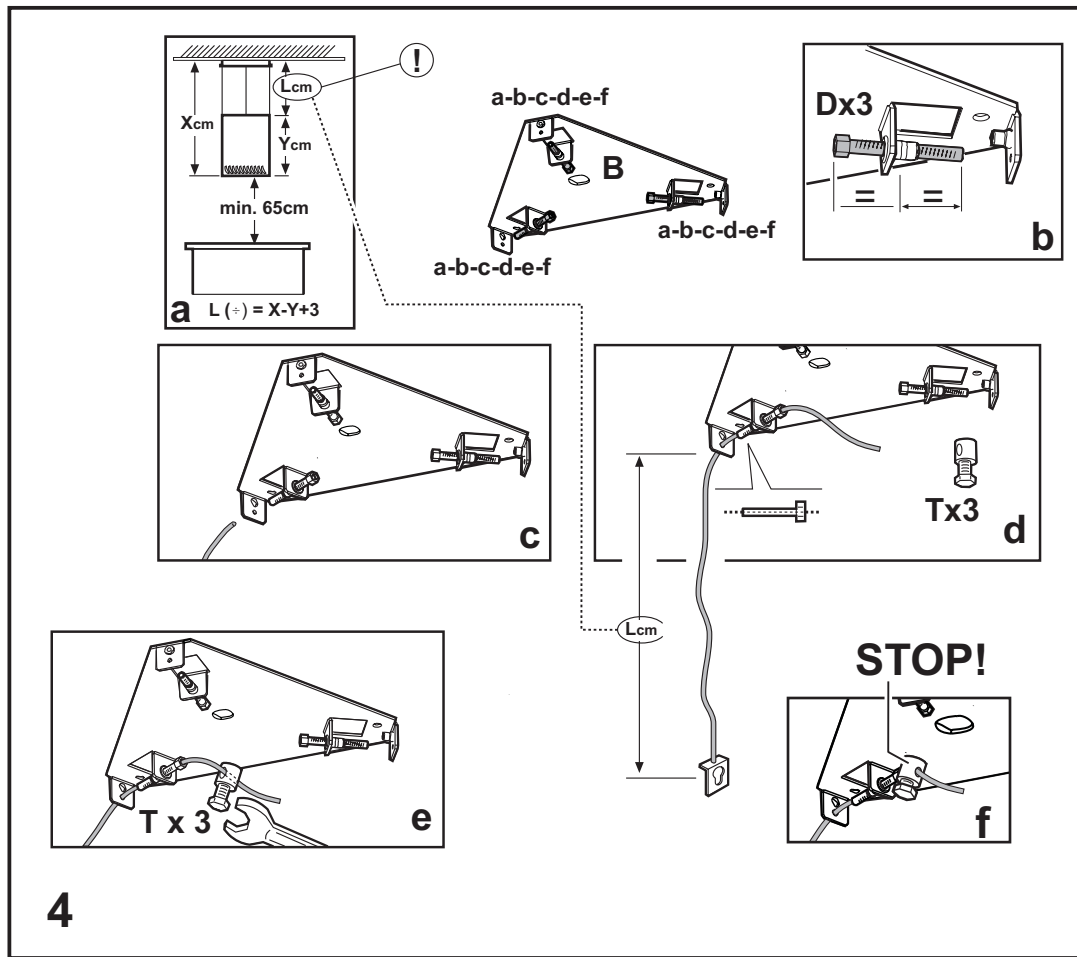
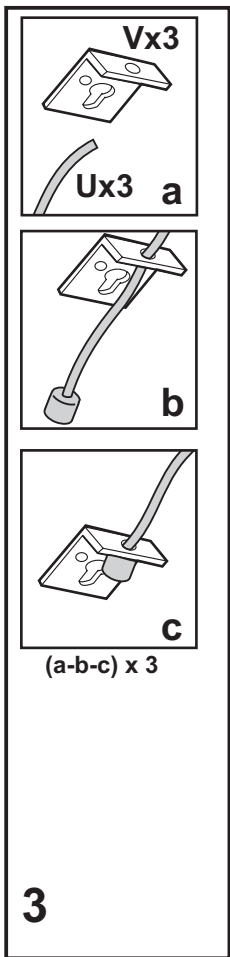


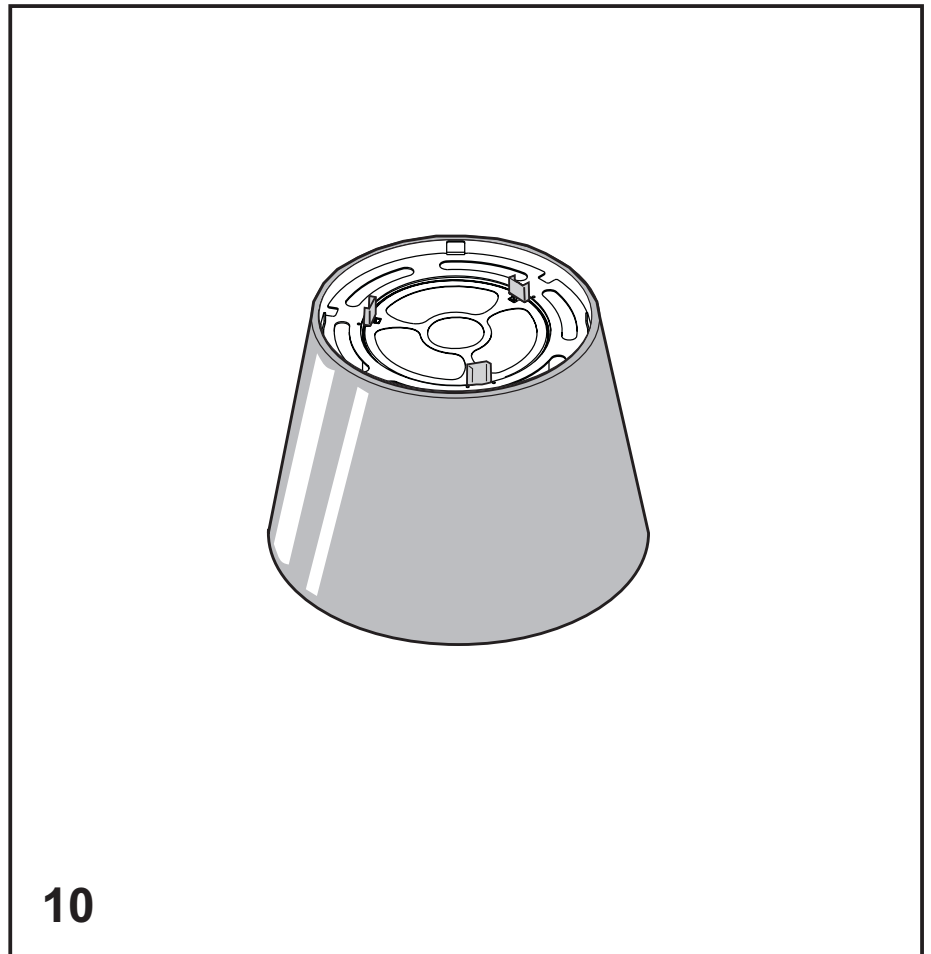
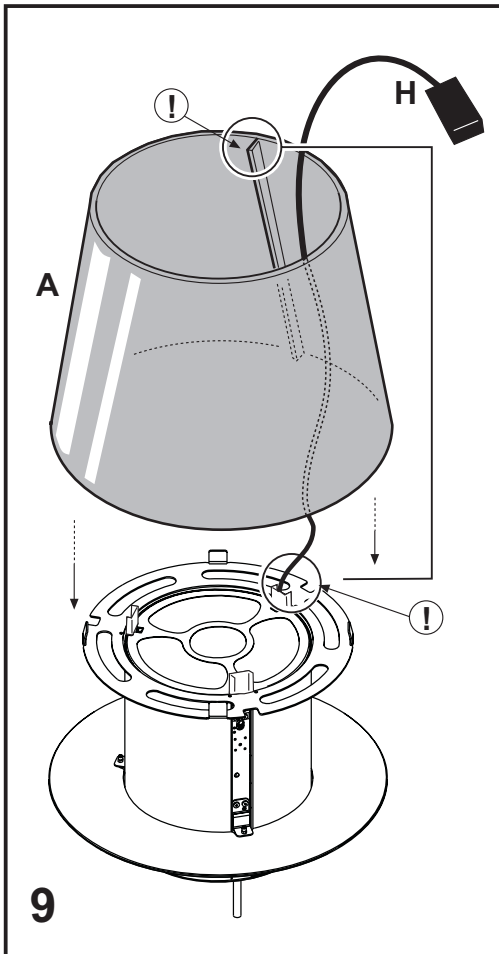
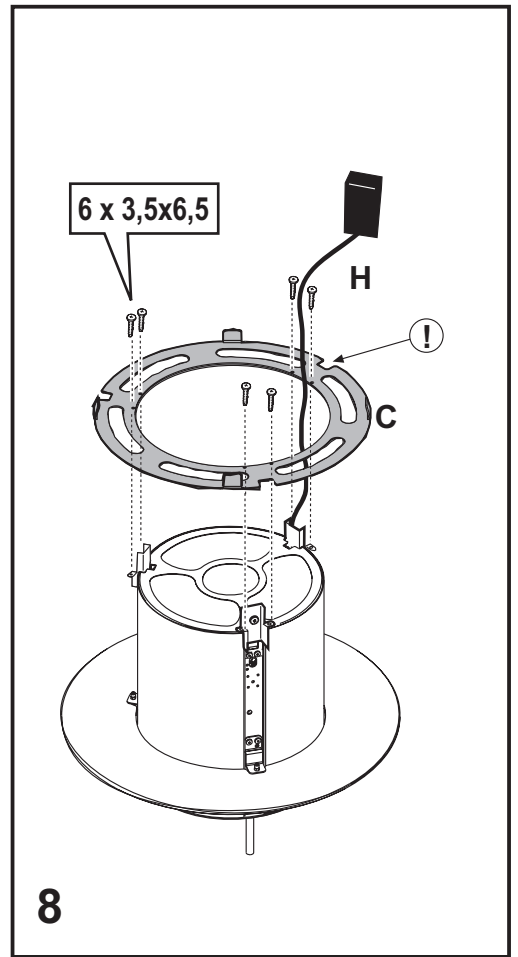
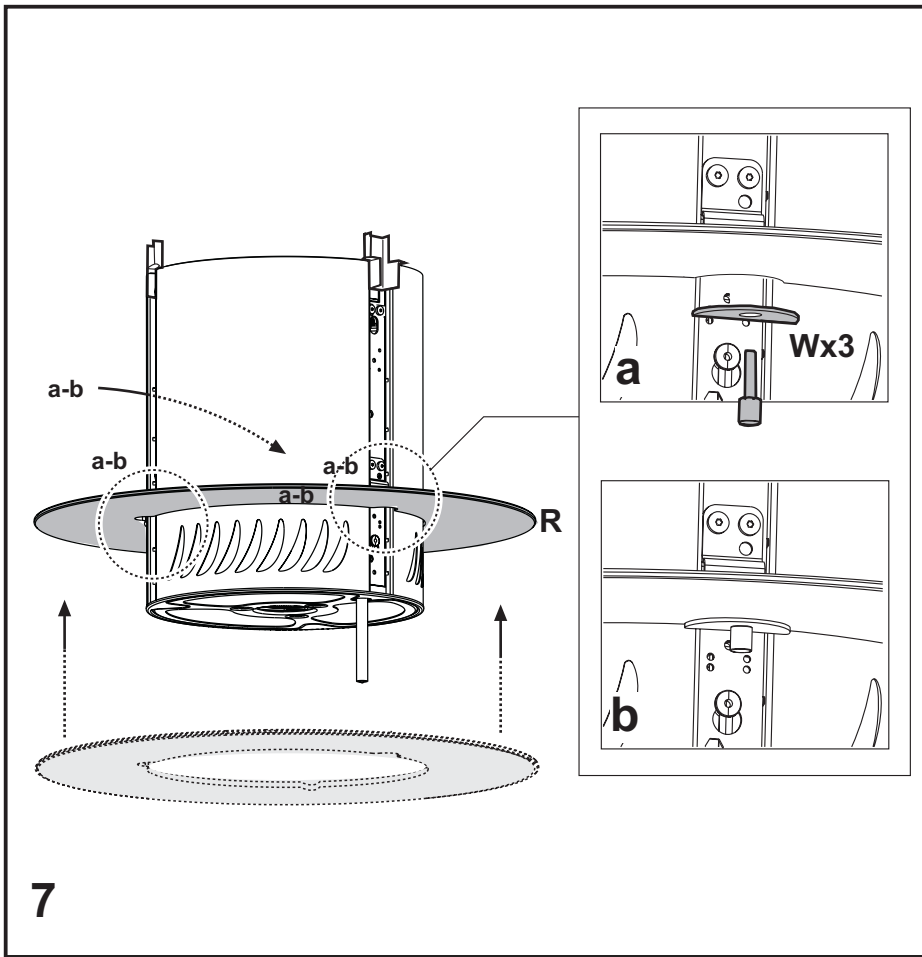
# Platinum - Wave

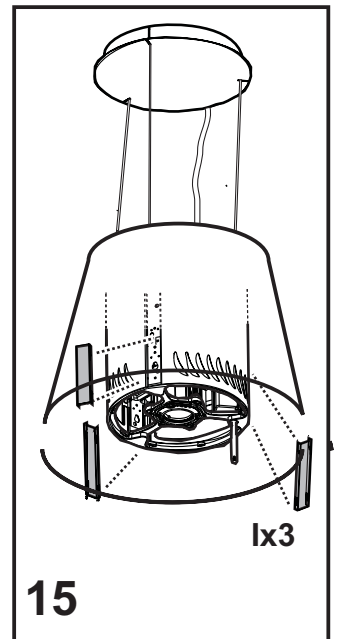
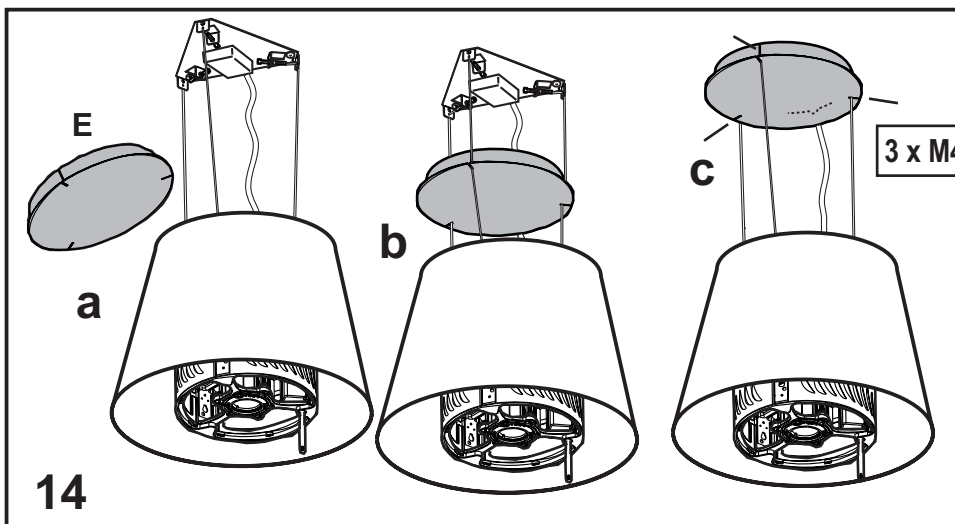
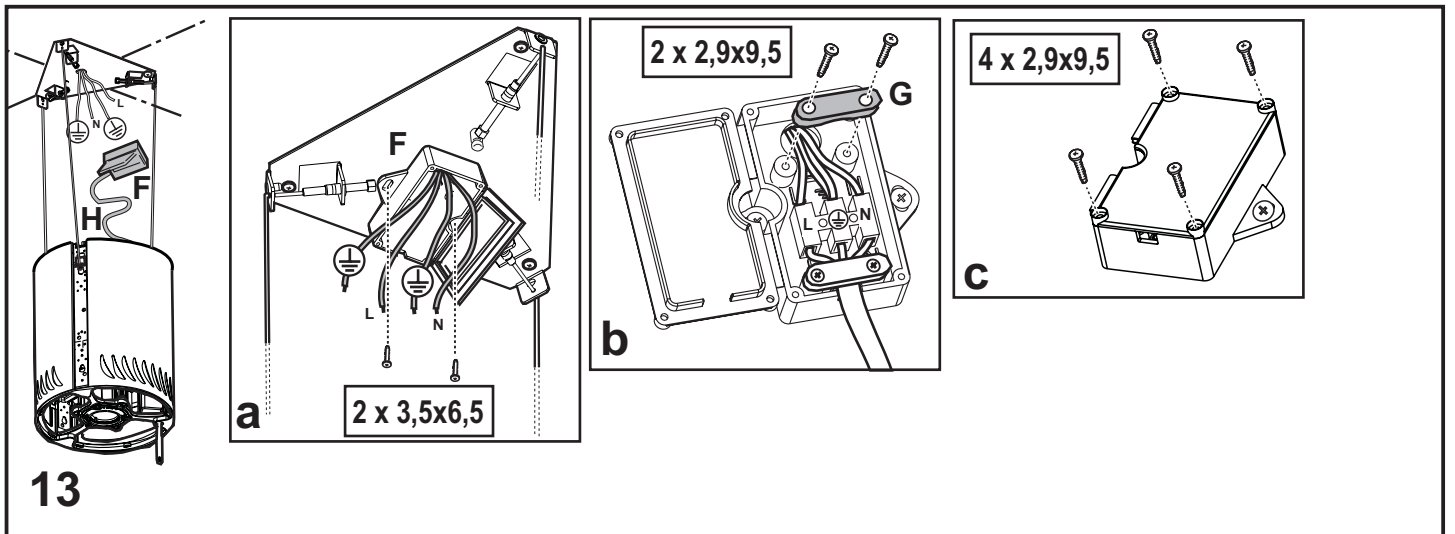
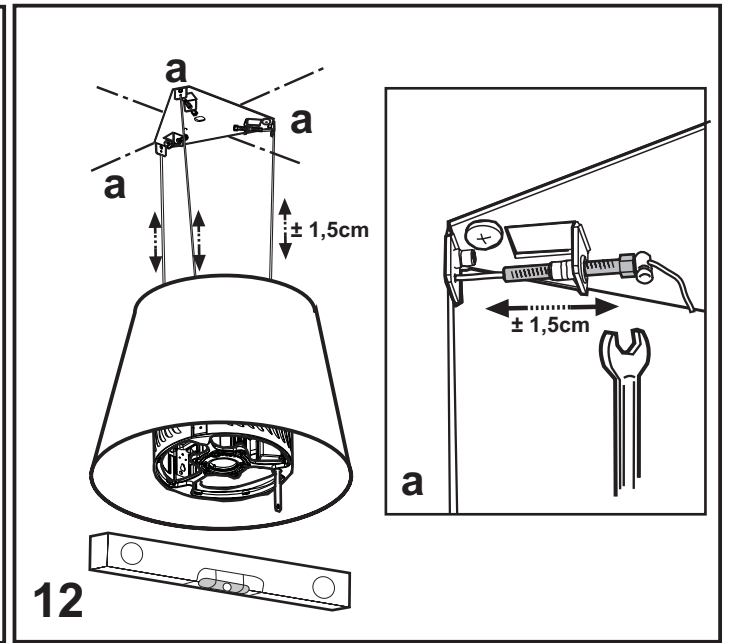
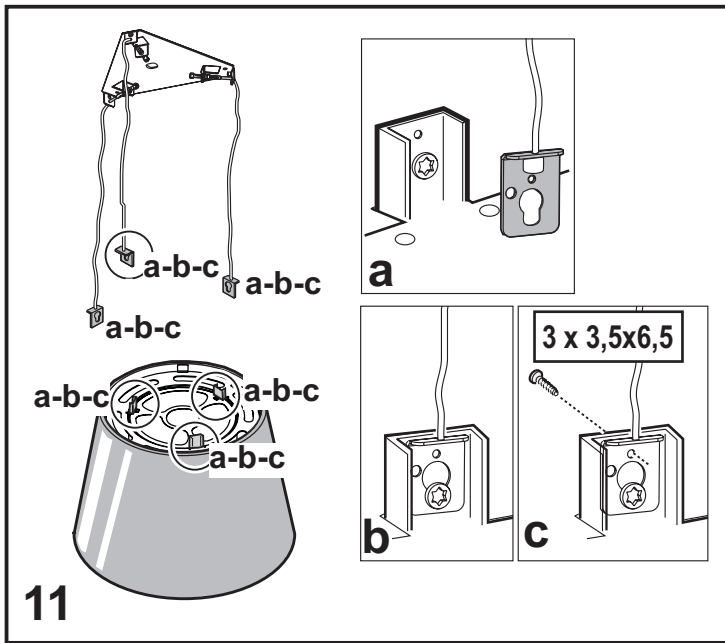
Design Team Elica

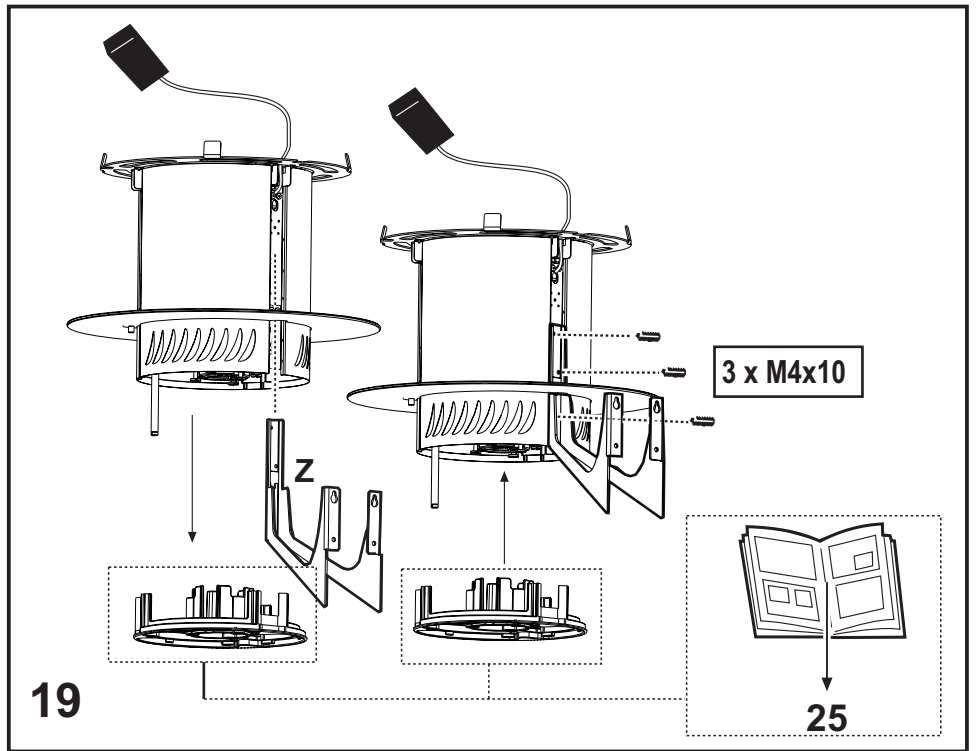
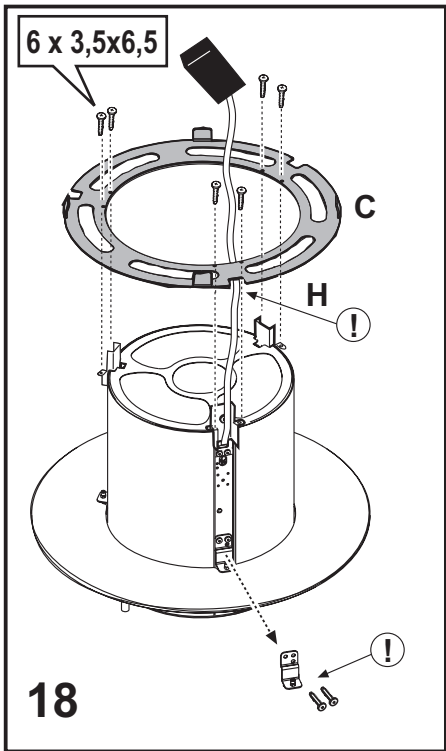
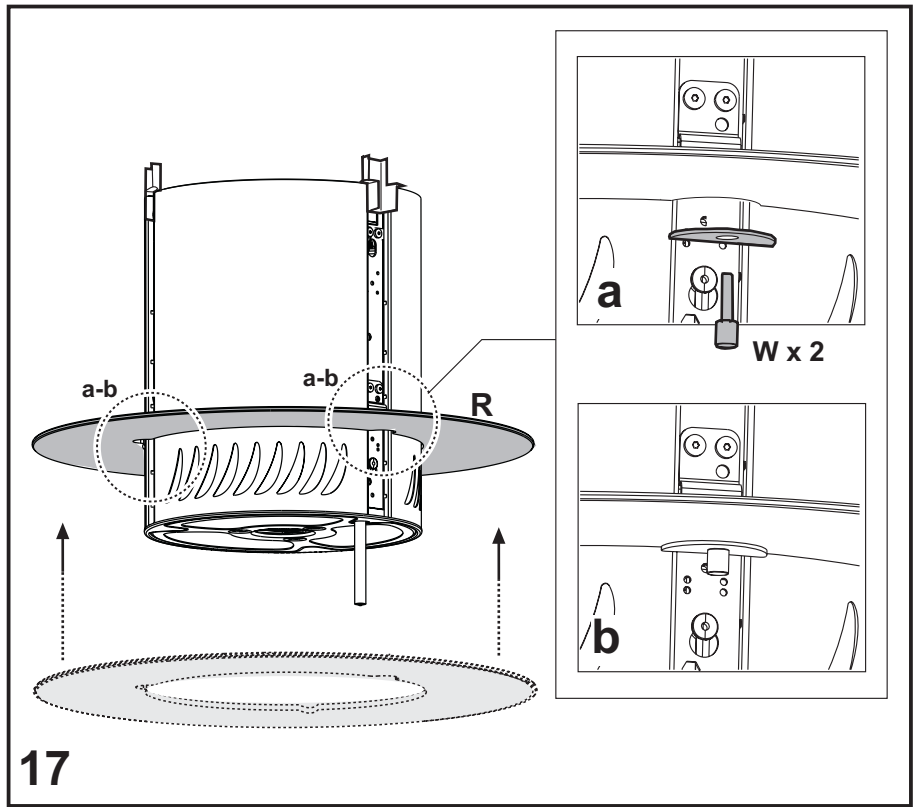
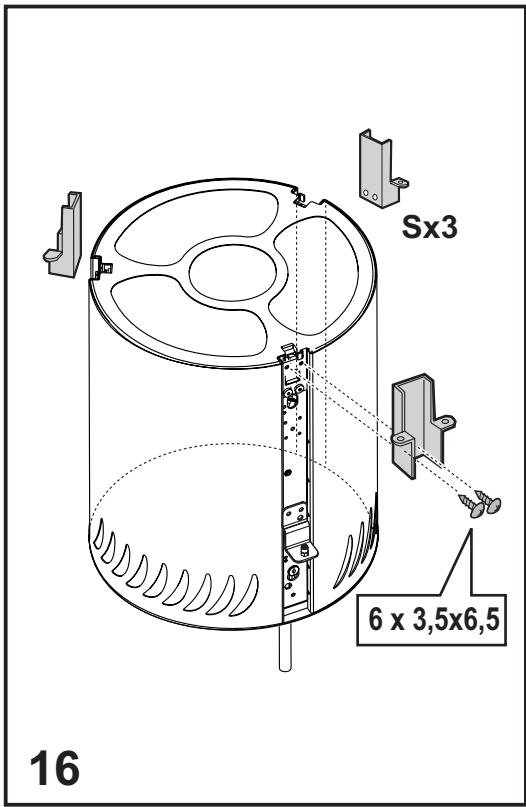


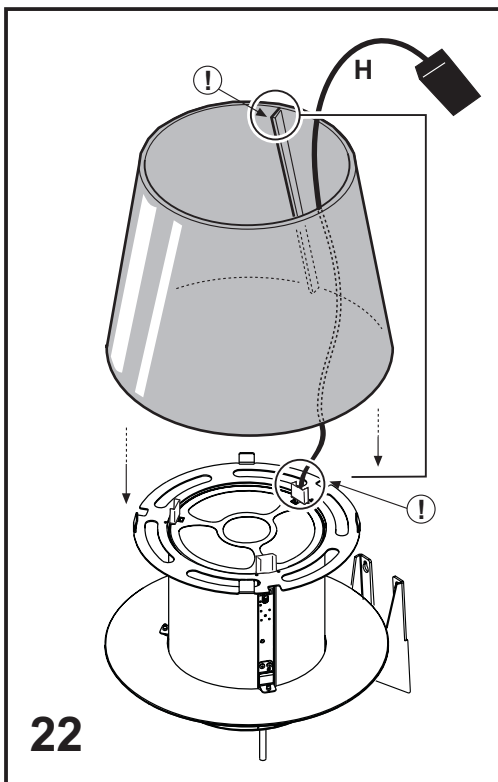
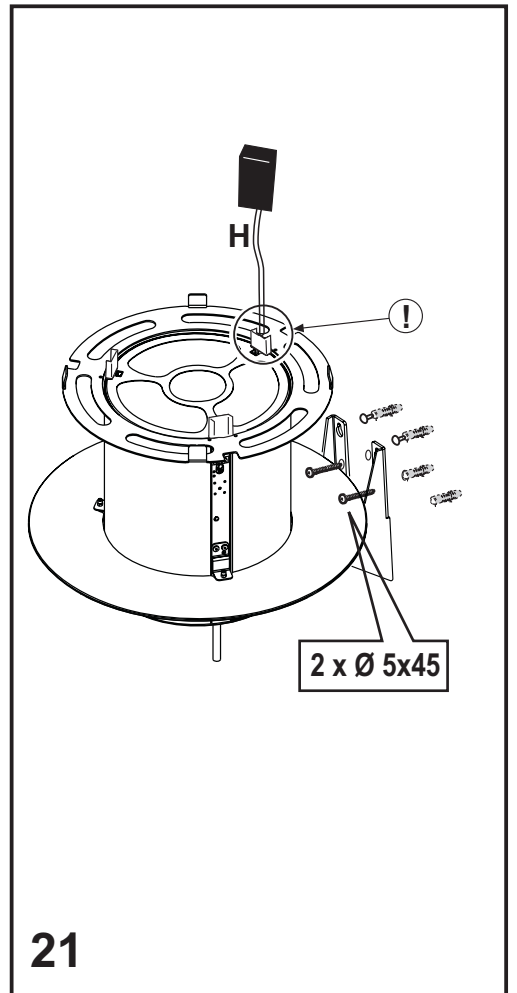
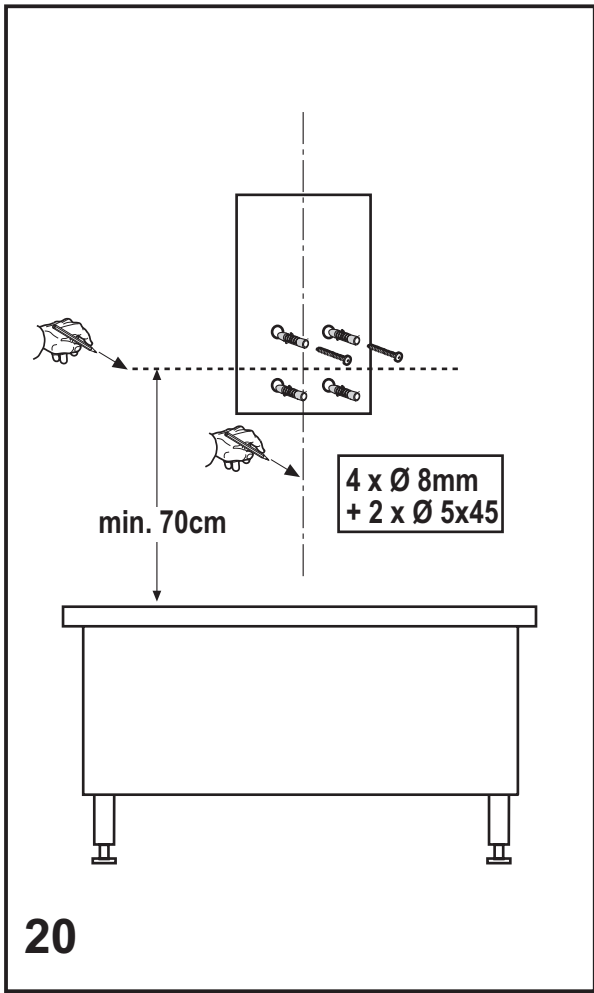


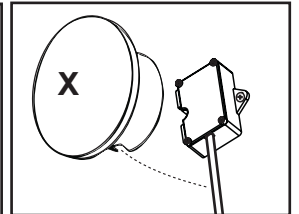
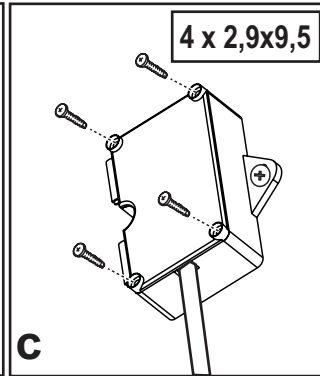
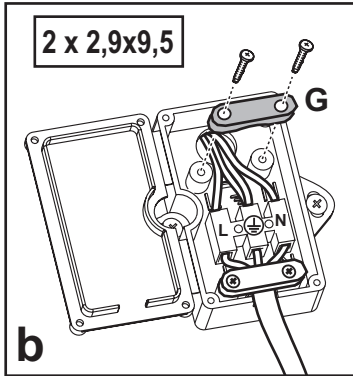
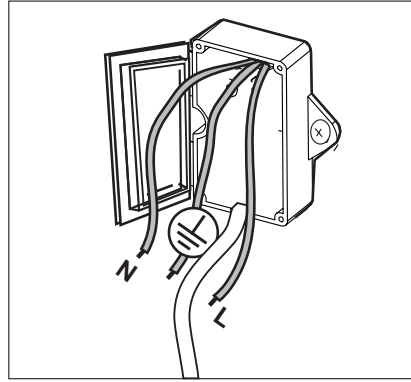
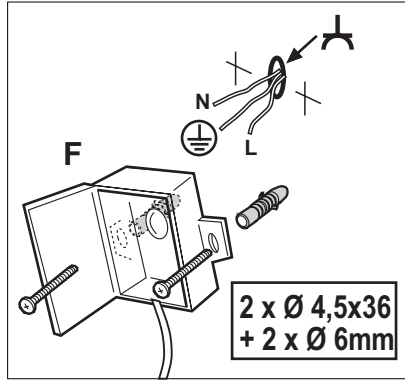
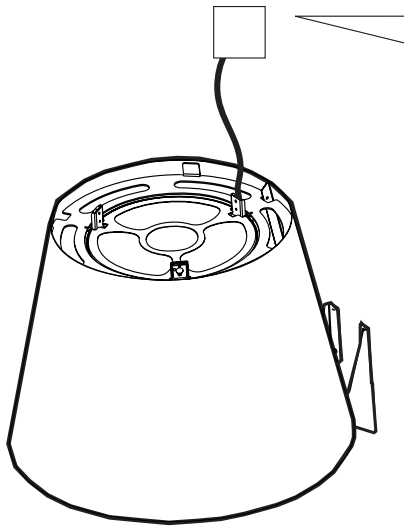




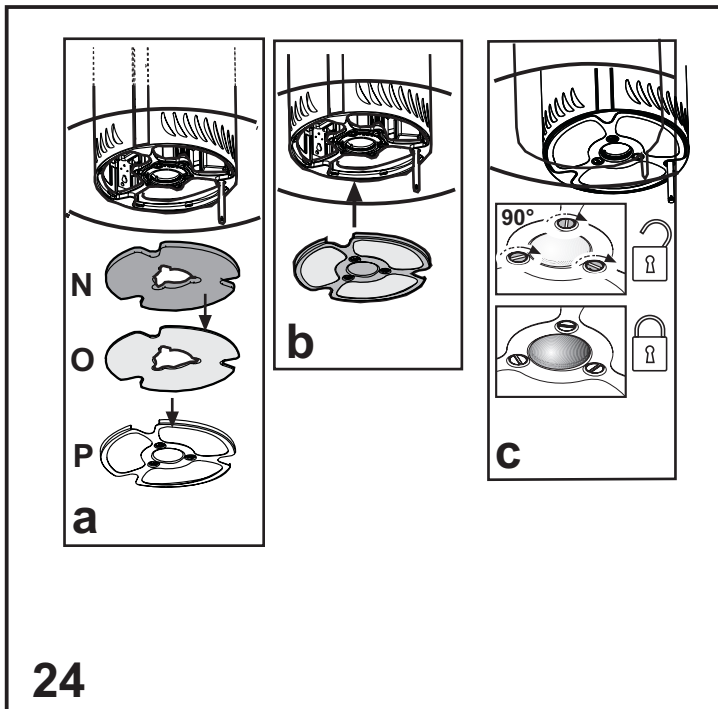


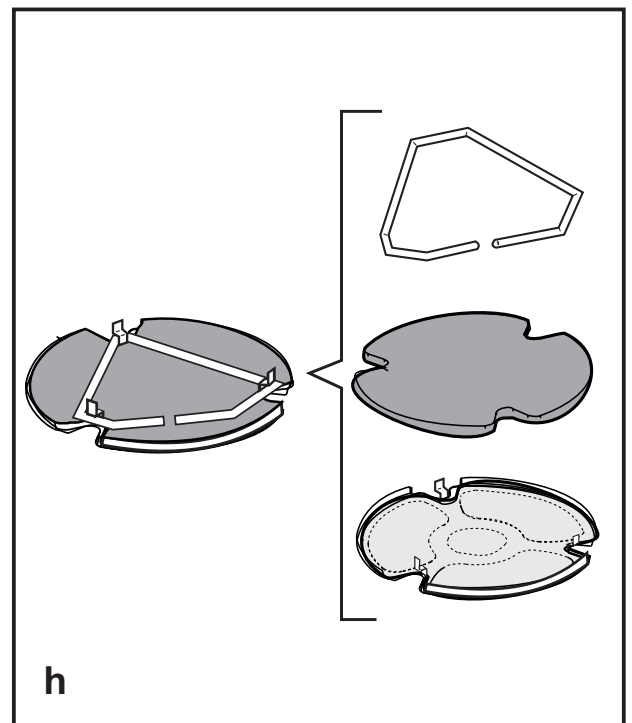
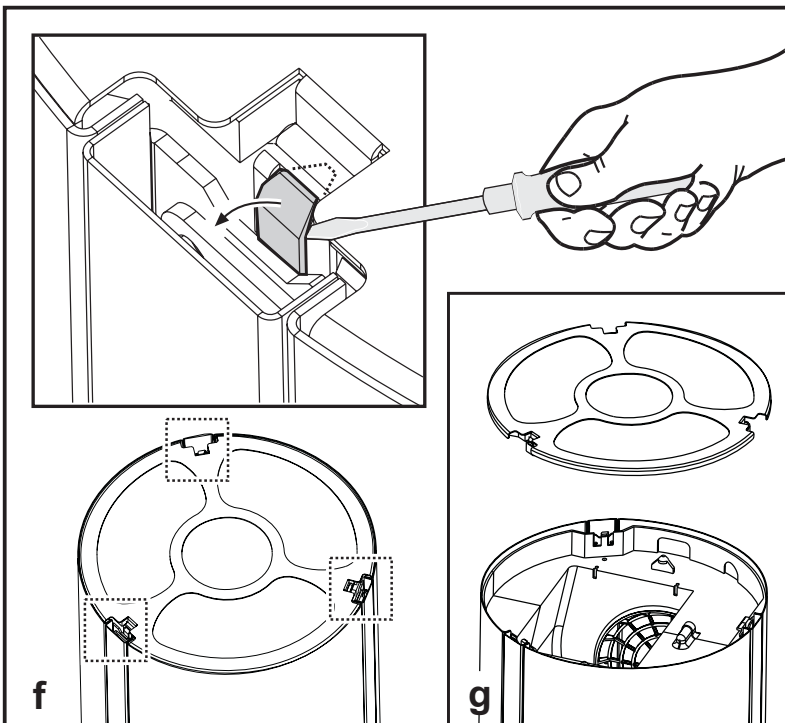
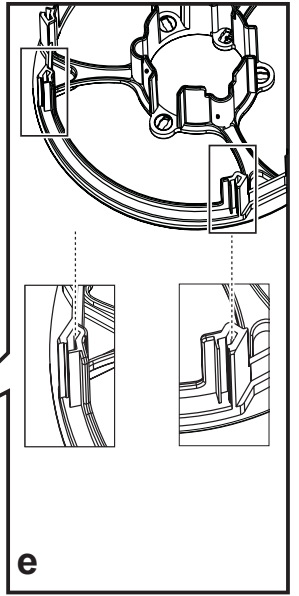
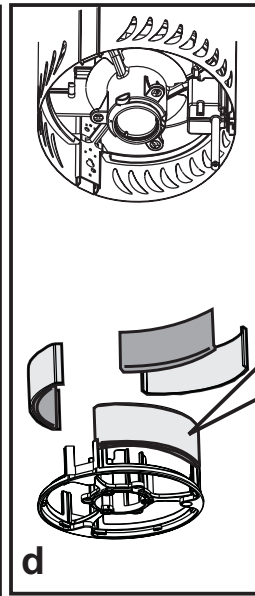
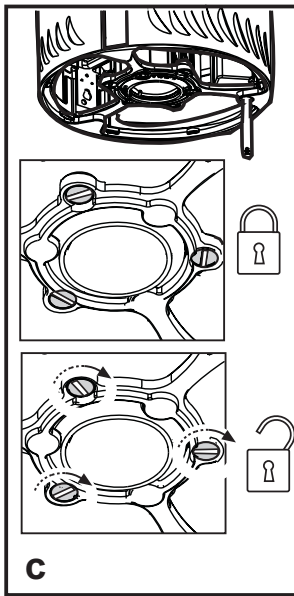
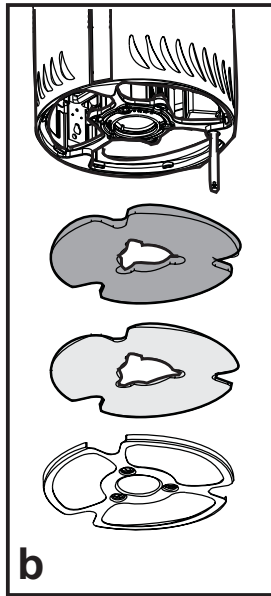
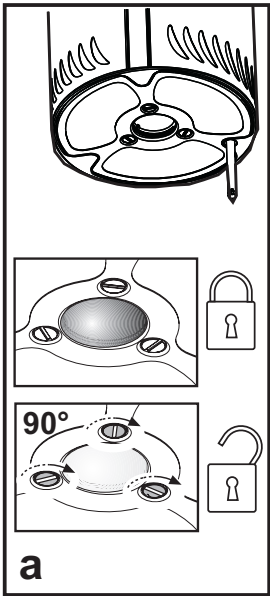
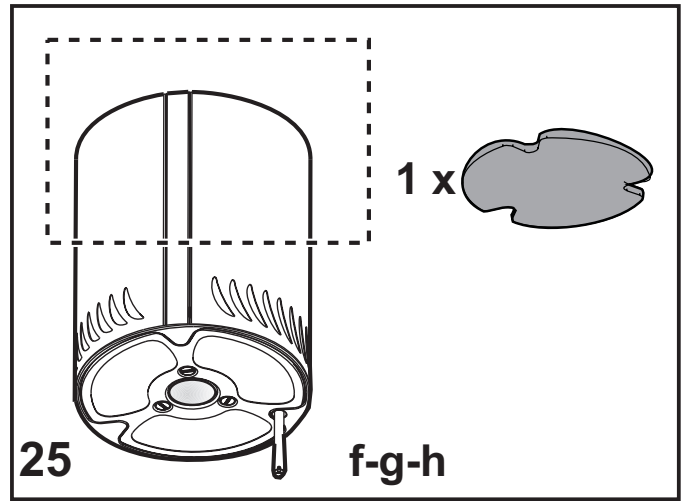
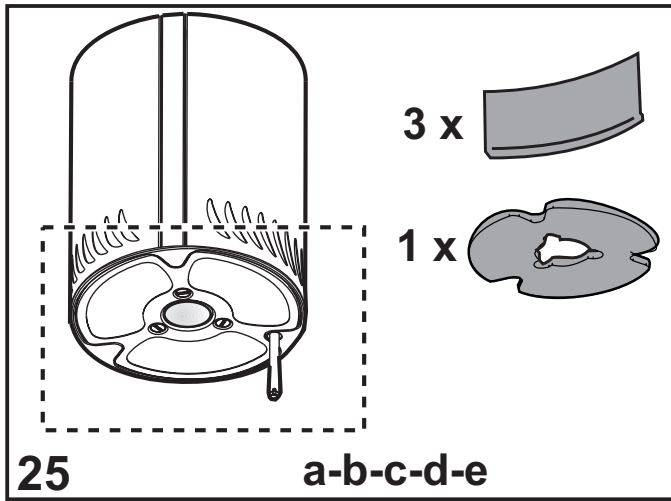






**23**





## Instruction on mounting and use

Consult the designs in the front pages referenced in the text by alphabet letters. **Closely follow the instructions set out in this manual.** All responsibility, for any eventual inconveniences, damages or fires caused by not complying with the instructions in this manual, is declined.

### Use

The hood has been made for use in the internal recirculating filtering version.

Cooking fumes and steam are aspirated inside the hood, filtered and cleaned, passing through the fat filter/s and the carbon filter/s that **MUST** be supplied with the hood.

#### Attention!

**If the hood is not supplied with carbon filter, then it must be ordered and mounted.**

### Installation

The minimum distance between the supporting surface for the cooking vessels on the hob and the lowest part of the range hood must be not less than 50cm from electric cookers and 70cm from gas or mixed cookers. If the instructions for installation for the gas hob specify a greater distance, this must be adhered to.

### Electrical connection

The electrical tension must correspond to the tension noted on the label placed inside the cooker hood. Connect the electrical plug, where provided, to the an easily accessible outlet in conformity with local standards in force. Where an electrical plug is not provided (*for direct connection to electrical network*) place a standards approved bipolar switch with an aperture distance of not less than 3mm (*accessible*) from the contacts.

**Attention:** substituting the supply cable must be carried out by the authorised technical assistance service.

### Mounting

Expansion wall plugs are provided to secure the hood to most types of walls/ceilings. However, a qualified technician must verify suitability of the materials in accordance with the type of wall/ceiling. The wall/ceiling must be strong enough to take the weight of the hood. **Do not tile, grout or silicone this appliance to the wall. Surface mounting only.**

### Description of the hood - Fig. 1

- K. Panel of control
- L. Halogen bulb
- M. Lateral filter holder frame
- N. Active carbon filter
- O. Metal anti-fat filter

Note: other carbon and anti-fat filters are installed inside the hood in correspondence with the shaped lateral slots and the upper part of the hood.

- P. Anti-fat and carbon filters holder frame
- Q. Filter holder frame releases

### Operation

Use the high suction speed in cases of concentrated kitchen vapours. It is recommended that the cooker hood suction is switched on for 5 minutes prior to cooking and to leave in operation during cooking and for another 15 minutes approximately after terminating cooking.

The hood is equipped with a **"TOUCH SENSOR"** device able to determine the control of the lights and the speed when the user touches the control bar. Read the instructions below carefully for this purpose.

The hood is also supplied with a remote control for controlling light, speed and other functions (see the paragraph relating to the functioning of the remote control).

### Automatic switch-on function

The hood is equipped with a temperature sensor that starts the motor at the 1<sup>st</sup> suction speed (power) when the room temperature around the hood is higher than 70°C.

The user can, however, switch off or modify the suction speed (power). (See paragraph **"Control of suction speed (power)"**).

### Control of suction speed (power)

The selection of the suction speed (power) is cyclical, according to the speed sequences **"stand-by - 1-2-3-4- Stand by -1-2-"**... so that at every touch of the **UPPER PART** of the control bar the suction speed (power) increases by a level and then to switches off (stand-by) if the control bar is touched again when the hood is at suction speed (power) 4.

It is possible to turn the hood off (standby) even when the hood is at any speed by pressing the **UPPER PART** of the control bar (for more than 3 seconds).

It is possible to determine what suction speed (power) the hood is in when the bar is equipped with a led that changes colour on the basis of the suction speed (power), as follows:

#### Hood in stand-by: LED OFF

1<sup>st</sup> suction speed (power) - led GREEN

2<sup>nd</sup> suction speed (power) - led ORANGE (amber)

3<sup>rd</sup> suction speed (power) - led RED

4<sup>th</sup> suction speed (power) - led RED (FLASHING)

**Note:** the 4<sup>th</sup> suction speed (power) remains on for 5 minutes, after which the suction motor switches off (Stand-by).

Touched once more, the suction motor switches off (Stand-by).

**Need to wash the anti-fat filter:** GREEN led FLASHING (also read the instructions relating to the use of the remote control).

**Need to wash or replace the carbon filters:** ORANGE (amber) led FLASHING (also read the instructions relating to the use of the remote control).

### Control of the central light

The central light can be switched on and off by touching the **LOWER PART** of the control bar **BRIEFLY**.

### Control of the lateral lights (when envisaged)

The lateral lights can be switched on and off by touching the LOWER PART of the control bar CONTINUOUSLY.

A CONTINUOUS TOUCH allows, other than switching on and off, adjusting the intensity of the light of the lamp.

### Using the remote control

The remote control is able to control all the functions of the hood:



Select the suction speed (power)



Control the central light



Control the lateral lights



Reset e configure the saturation of the filters signal

### Selecting the suction speed (power):

Press the "◀" key or the "▶" key until you see the symbol relating to the "Select the suction speed (power)" function.

Press the "+" key or the "-" key or the "■" key respectively to increase or diminish or switch off (stand-by) the speed (suction power).

### Controlling the central light:

Press the "◀" key or the "▶" key until seeing the symbol relating to the "Controlling the central light" function on the remote control.

The central light can be switched on and off in two ways:

1. Press the "+" key or the "-" key respectively to switch the central light (ON) or (OFF).
2. Press the "■" key to change the state of the light from (OFF) to (ON) or vice versa.

### Controlling the lateral lights:

Press the "◀" key or the "▶" key until seeing the symbol relating to the "Controlling the lateral lights" function on the remote control.

Press the "■" key to change the state of the lateral lights from (OFF) to (ON) at maximum intensity and vice versa.

Press the "-" key to diminish the intensity of the lateral lights until switching them off.

Press the "+" key to increase the intensity of the lateral lights.

### Resetting and configuring the saturation of the filters signal

Switch the hood on at any speed (see paragraph above "Selecting the suction speed (power)").

Press the "◀" key or the "▶" key until seeing the symbol relating to the "Resetting and configuration of the saturation of the filters signal" function on the remote control.

### Resetting the anti-fat filter saturation signal (GREEN LED FLASHING on the control bar)

First proceed with the maintenance of the filter as described in the corresponding paragraph.

Press the "+" and "-" keys contemporaneously for about 3 seconds. The LED stops flashing, indicating that the resetting of the signal has been accomplished.

### Resetting the carbon filter saturation signal (ORANGE (amber) LED FLASHING)

**Note!** The reset of the carbon filter saturation signal is normally deactivated. To activate it, see under paragraph "Activating the carbon filter saturation signal".

**First proceed with the maintenance of the filter as described in the corresponding paragraph.**

Press the "+" and "-" keys contemporaneously for about 3 seconds. The LED stops flashing, indicating that the resetting of the signal has been accomplished.

### Activating the carbon filter saturation signal

The reset of the carbon filter saturation signal is normally deactivated. To activate it, proceed as follows:

Switch the hood off (see paragraph above "Selecting the suction speed (power)").

Press the "◀" key or the "▶" key until seeing the symbol relating to the "Resetting and configuration of the filters saturation signal" function on the remote control.

Press the "+" and "-" keys contemporaneously for about 3 seconds. The LED will flash in ORANGE (amber).

To deactivate the carbon filter saturation signal, repeat the operation. The LED will flash in GREEN.

### Maintenance of the remote control

#### Cleaning the remote control:

Clean the remote control with a damp cloth and a neutral solution of detergent without abrasive substances.

#### Changing the battery:

- Open the battery casing using a small screwdriver with a flat point.
- Change the finished battery with a new one of 12 V type MN21/23  
In inserting the new battery respect the polarity indicated on the battery casing!
- Close the battery casing up again.

### Maintenance

Prior to any maintenance operation ensure that the cooker hood is disconnected from the power supply.

### Cleaning

The cooker hood should be cleaned regularly (at least with the same frequency with which you carry out maintenance of the fat filters) internally and externally. Clean using the cloth dampened with neutral liquid detergent. Do not use abrasive products.

#### DO NOT USE ALCOHOL!

**Warning:** Failure to carry out the basic standards of the cleaning of the cooker hood and replacement of the filters may cause fire risks.

Therefore we recommend observing these instructions.

## Grease filter

### Fig. 25

This must be cleaned once a month using non aggressive detergents, either by hand or in the dishwasher, which must be set to a low temperature and a short cycle. When washed in a dishwasher, the grease filter may discolour slightly, but this does not affect its filtering capacity.

## Charcoal filter (filter version only)

### Fig. 25

It absorbs unpleasant odours caused by cooking.

The charcoal filter can be washed once every two months (or when the filter saturation indication system – if envisaged on the model in possession – indicates this necessity) using hot water and a suitable detergent, or in a dishwasher at 65°C (if the dishwasher is used, select the full cycle function and leave dishes out).

Eliminate excess water without damaging the filter, then put it in the oven for 10 minutes at 100° C to dry completely. Replace the mattress every 3 years and when the cloth is damaged.

## Replacing lamps

Disconnect the hood from the electricity.

**Warning!** Prior to touching the light bulbs ensure they are cooled down.

### Changing bulbs:

only use halogen bulbs, max 35W 40° GZ10.

### Removing the bulb:

rotate anti-clockwise a quarter turn and take out.

### Mounting the bulb:

insert the bulb in its seat so that its contacts enter the congruent seats on the bulb-holder, rotate clockwise for about a quarter turn.

If the lights do not work, make sure that the lamps are fitted properly into their housings before you call for technical assistance.

## Caution

Never use the hood without the grill mounted!

This appliance is designed to be operated by adults. Children should not be allowed to tamper with the controls or play with the appliance .

The premises must have sufficient ventilation when the kitchen hood is used at the same time as other apparatuses that use gas and other fuels.

The sucked air must not be conveyed in a conduit used for discharging fumes produced by apparatuses fuelled by gas or other fuels.

Cooking food on the flame under the hood is severely prohibited.

The use of open flame damages the filters and can cause a fire; it must therefore be avoided in any case.

Frying must be carried out under control in order to prevent overheated oil catching fire.

Keep strictly to the regulations envisaged by the competent local authority as far as the technical and safety measures to adopt for discharging fumes are concerned.

The hood is to be cleaned frequently both internally and


externally.

Failure to observe the regulations about cleaning the hood and substituting and cleaning the filters can lead to the risk of fire.

Any responsibility is declined for possible inconveniences, damage or fire caused to the apparatus deriving from failure to observe the instructions shown in this manual.

This appliance is marked according to the European directive 2002/96/EC on Waste Electrical and Electronic Equipment (WEEE). By ensuring this product is disposed of correctly, you will help prevent potential negative consequences for the environment and human health, which could otherwise be caused by inappropriate waste handling of this product.



The symbol  on the product, or on the documents accompanying the product, indicates that this appliance may not be treated as household waste. Instead it shall be handed over to the applicable collection point for the recycling of electrical and electronic equipment. Disposal must be carried out in accordance with local environmental regulations for waste disposal.

For more detailed information about treatment, recovery and recycling of this product, please contact your local city office, your household waste disposal service or the shop where you purchased the product.