

GB Instruction on mounting and use

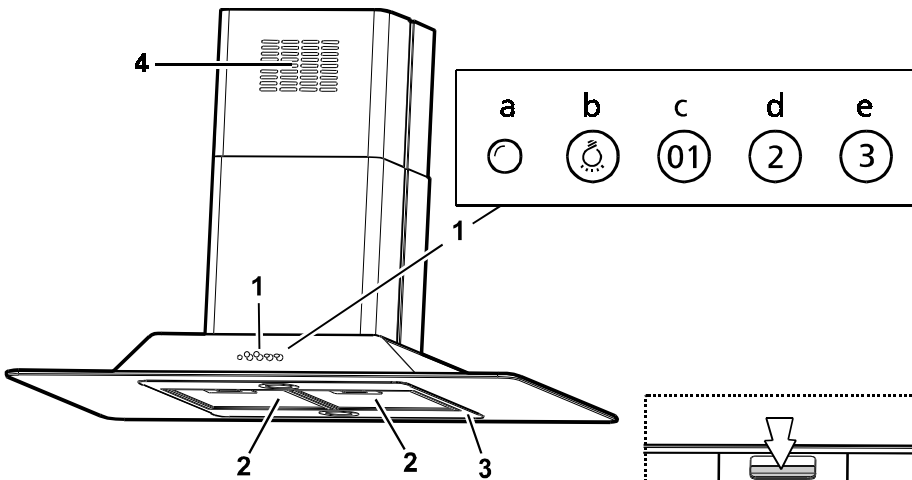


Fig. 1 - Abb. 1

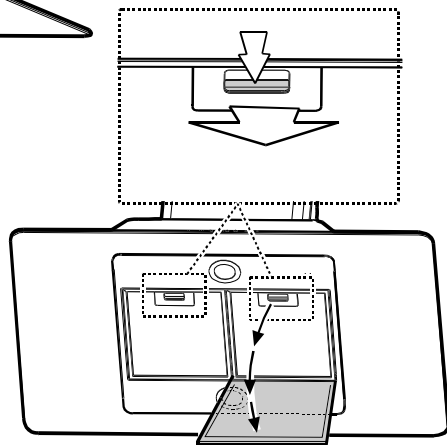


Fig. 2 - Abb. 2

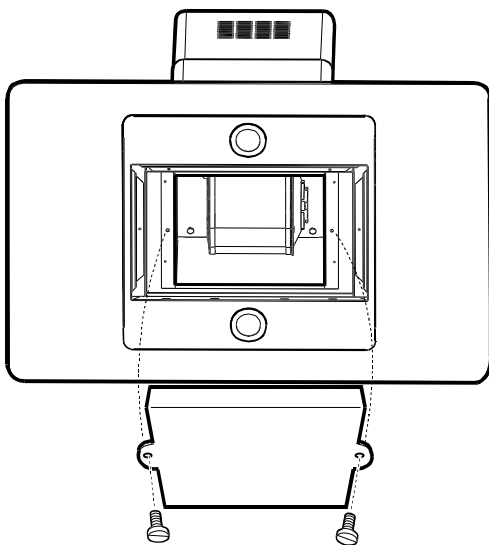


Fig. 3 - Abb. 3

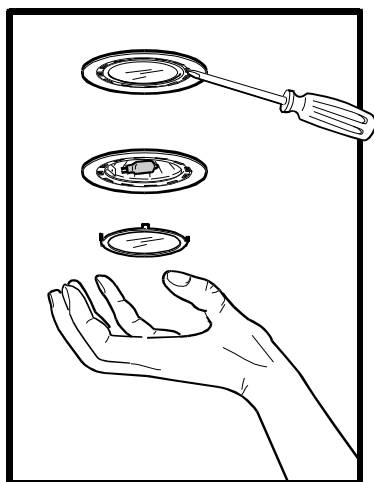
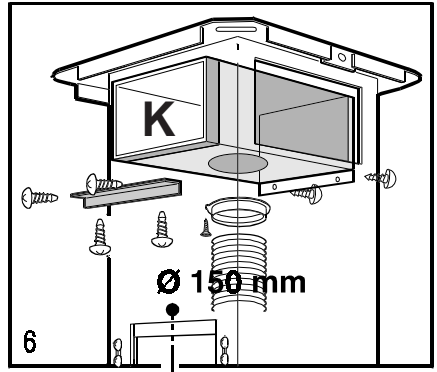
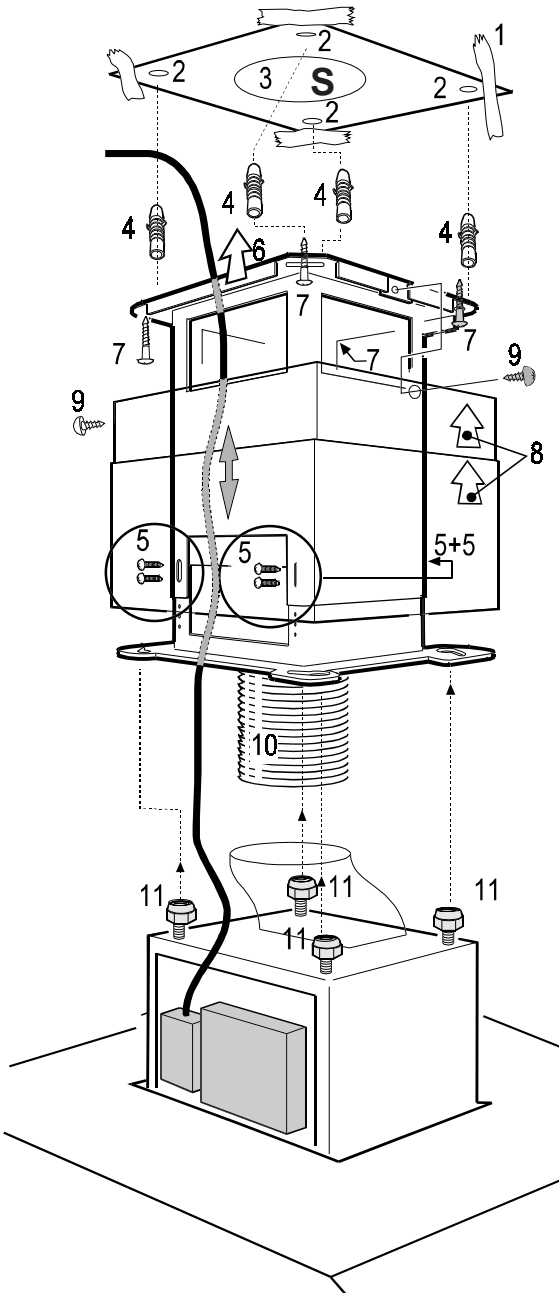
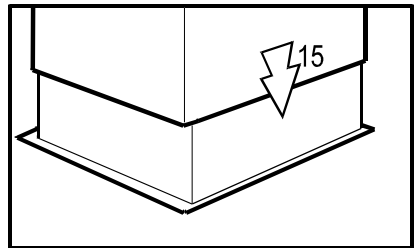
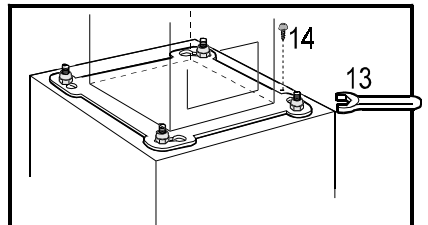
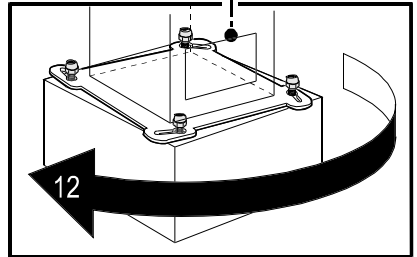


Fig. 4 - Abb. 4

Mounting the hood - Follow the numerical sequence



lado delantero - lado trasero
 lado anterior - lado posterior
 côté avant - côté arrière
 front side - rear side
 Vorder Seite - Hinter Seite
 Lato anteriore - Lato posteriore



View of the hood - Fig. 1 -

1. Control panel
 - a. "ON" indicator light
 - b. Light switch ON/OFF
 - c. General and suction (Speed) power 1 switch ON/OFF
 - d. Suction (Speed) power 2 switch ON/OFF
 - e. Suction (Speed) power 3 switch ON/OFF
2. Grease filters
3. Work light
4. Grating of the chimney
(only for filter version-K)

Use: Two systems are available

Exhaust mode (S)

Vapours are extracted outside through an exhausting pipe that is affixed to the connection ring above the hood.

Diameter of the exhausting pipe must be equal to that of the connection ring.

In the horizontal runs the exhausting pipe must be slightly slanted (about 10°) and directed upwards to vent the air easily from the room to the outside.

Attention!

If the hood is supplied with carbon filter, then it must be removed.

Filter version (K)

The air is filtered through a carbon filter (for its installation see paragraph "Carbon filter") and recirculated into the room through the grating of the chimney.

Attention!

If the hood is not supplied with carbon filter, then it must be ordered and mounted.

This version is used when there is no exhaust duct for venting outdoors or when it is impossible to install one.

Installation

When installed, the distance between hood and burners must be not less than 60 cm. above electric burners or 75cm. above gas or mixed-fuel burners.

The exhausting pipe is not supplied and must be purchased apart.

To enable use of the extraction function, a multiconnector for use with Ø125-120 mm. pipes is provided for connection to the exhaust

aperture, the multiconnector is to be used only in cases where tubes of Ø150mm diameter cannot be utilized.

Electric connection

The electrical tension must correspond to the tension noted on the label placed inside the cooker hood.

Connect the electrical plug, where provided, to the an easily accessible outlet in conformity with local standards in force.

Where an electrical plug is not provided (for direct connection to electrical network) place a standards approved bipolar switch with an aperture distance of not less than 3mm (accessible) from the contacts.

The manufacturers are not liable for any problems caused by the user's failure to observe the above instructions.

Using the hood

- For the best performance, we recommend using the low speeds in normal conditions and the high speeds in particular cases of strong odour and vapour concentration.
- We recommend starting up the hood a few minutes before cooking and keeping it running until all the odours have been eliminated.

Warning!

- This appliance is designed to be operated by adults. Children should not be allowed to tamper with the controls or play with the appliance.
- The hood cannot be connected to flues of other appliances that run on energy sources other than electricity.
- When the hood is used at the same time of other appliances that run on energy sources other than electricity, provision must be made for an adequate supply of air.
- No food must be cooked flambé underneath the hood.
The use of an unprotected flame is dangerous for the filters and could cause fires.
Therefore, never use an open flame under the hood. When frying foods, never leave the pan alone because the cooking oil could flare up.
- Please, keep to the provisions of official directives regarding the question of fume discharge.

- The manufacturers refuse to accept any responsibility for damage to the hood or its catching on fire because of failure to observe the above instructions.

Maintenance

Before performing any maintenance operation, isolate the hood from the electrical supply by switching off at the connector and removing the connector fuse.

Or if the appliance has been connected through a plug and socket, then the plug must be removed from the socket.

Grease filter

The grease filter serves to trap particles of grease through suspension.

The grease filter lasts forever and must be washed either by hand or in the dishwasher (**65°C**) with suitable detergents.

When washed in a dish washer, the grease filter may discolour slightly, but this does not affect its filtering capacity.

The grease filters must be washed at least once a month.

To remove the grease filter - Fig. 2:

1. Disconnect the hood from the electricity.
2. **a** - push toward the rear
b - pull the filters downwards.

Let the filter dry without damaging it before putting it back into place.

Carry out the above steps in reverse order to put the filters back after having washed them.

Carbon filter

This filter dissolves cooking odours.

The carbon filter must never be washed.

The carbon filter should be replaced every 4 months under normal use.

To fit the carbon filter - Fig. 3:

1. Disconnect the hood from the electricity.
2. Remove the grease filters.
3. Fit the carbon filter and fix it to the body of the hood with two supplied screws
4. Put the grease filter back into place.

To replace the carbon filter - Fig. 3:

1. Disconnect the hood from the electricity.
2. Remove the grease filters.
3. Remove the old carbon filter and replace it.
4. Put the grease filter back into place.

Cleaning

To clean the outside of the hood use a cloth moistened with denatured alcohol or neutral liquid detergents. Never use products containing abrasive.

Wipe brushed stainless steel in the same direction as the brushing to avoid scratching.

Clean the external surface of the cooker hood almost once every 10 days.

Attention

Failure to observe the rules for cleaning the appliance and changing and cleaning the filters may cause fires.

Therefore, we recommend observing these instructions.

Replacing the lamp

- a) Disconnect the hood from the electricity.
- b) Using a screwdriver or any other suitable tool, prize off the lamp cover (Fig. 4).
- c) Replace the damaged lamp with a new halogen lamp of 20Watt max.
- d) Replace the lamp cover (clicking it into position).
- e) Before calling for repair service because the hood fails to light up, make sure the bulbs are screwed in tightly.