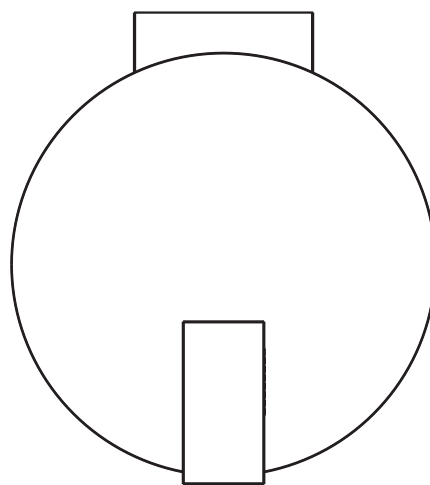
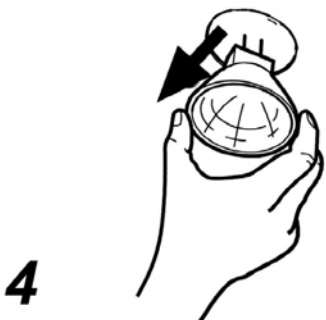
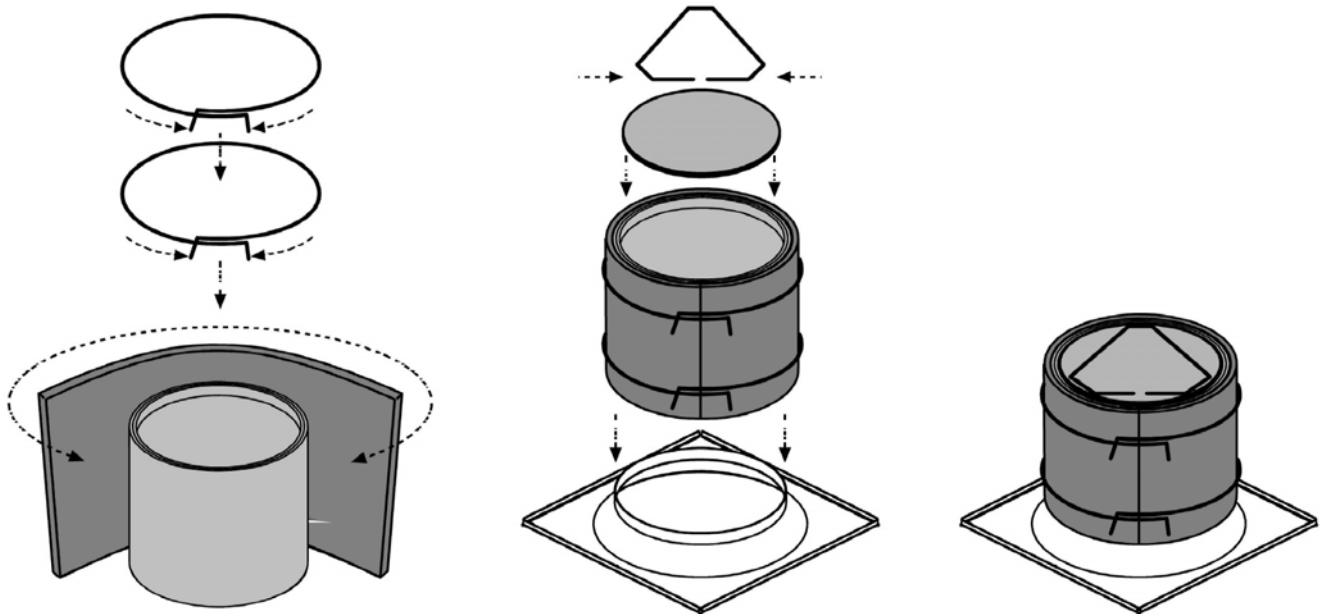
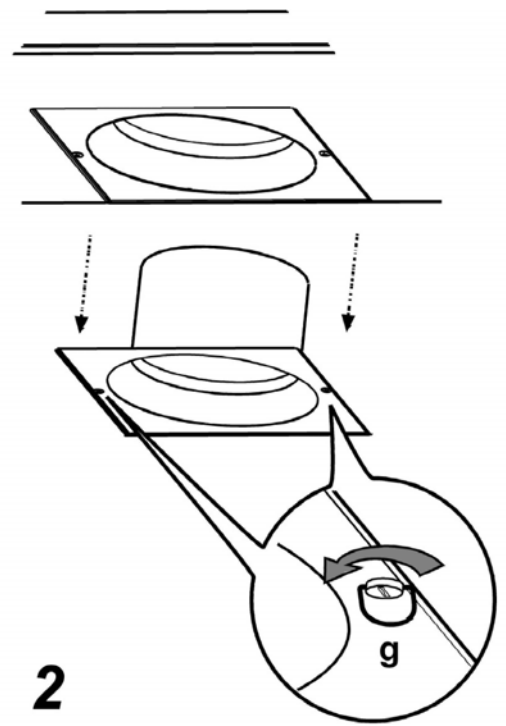
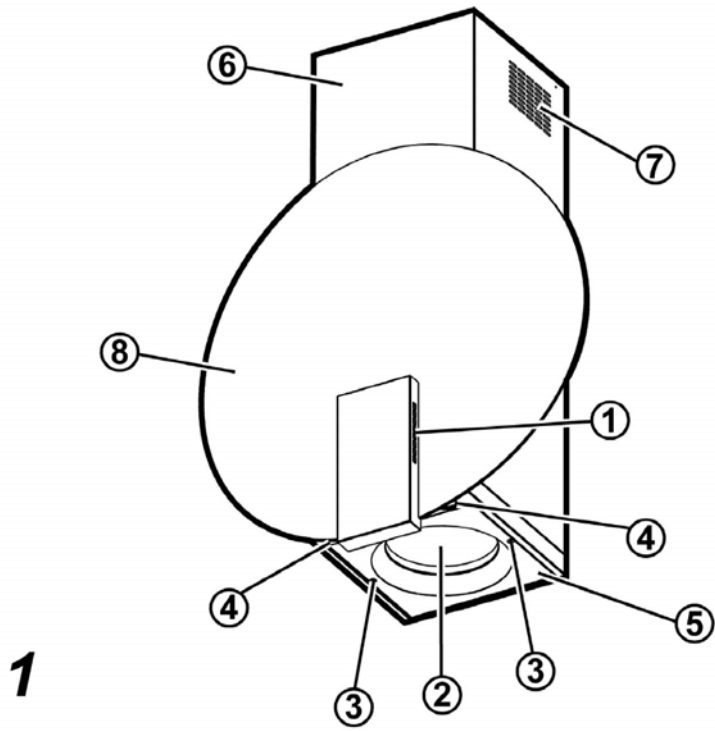


Space EDS

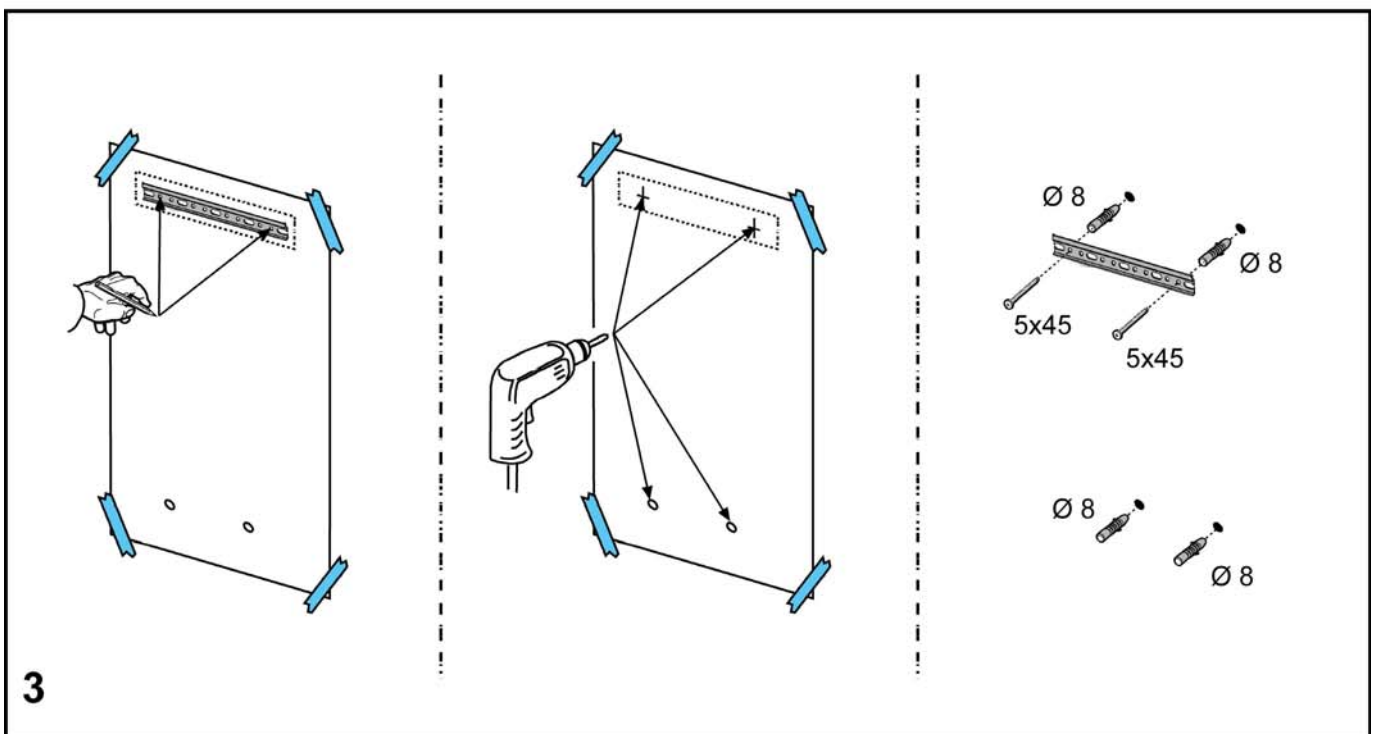
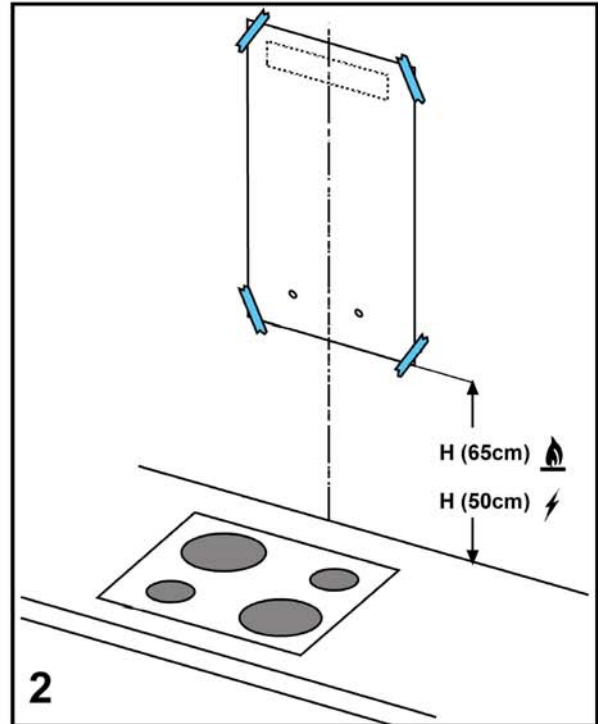
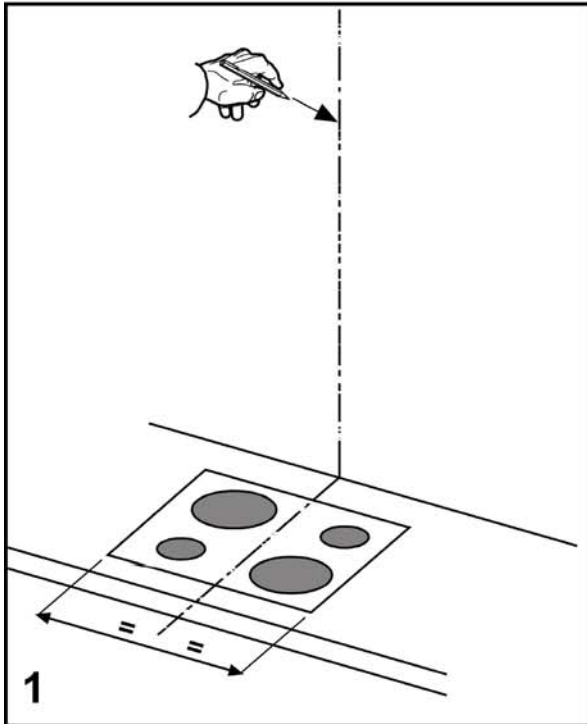
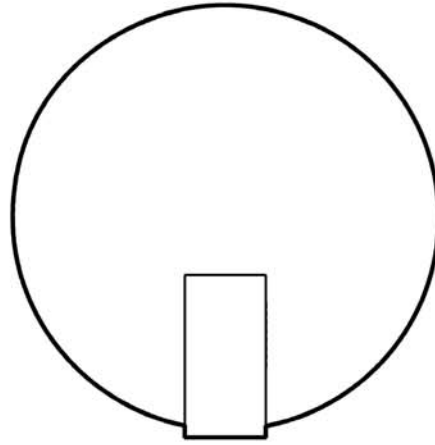
Design Team Elica

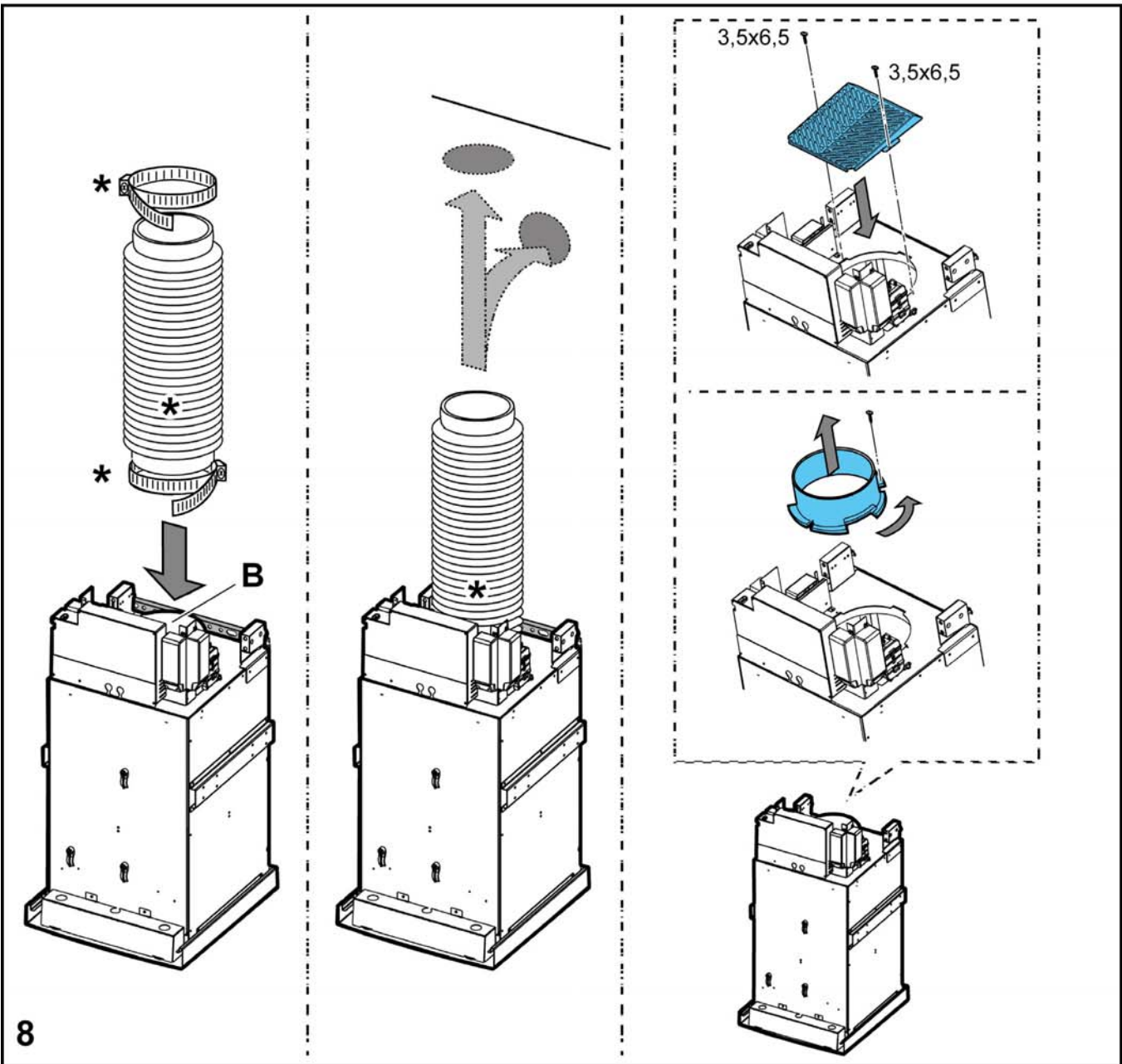
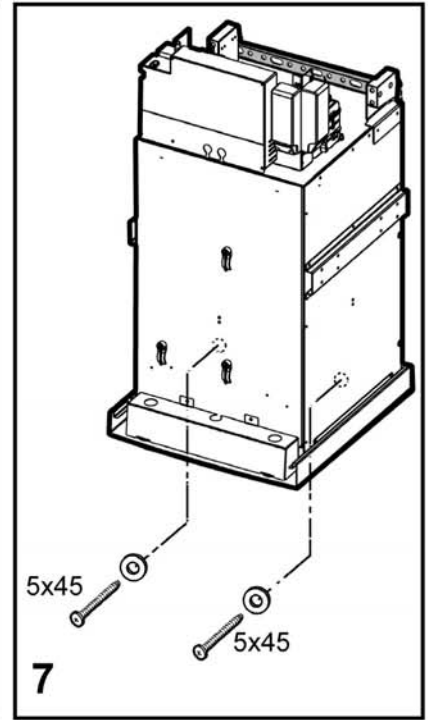
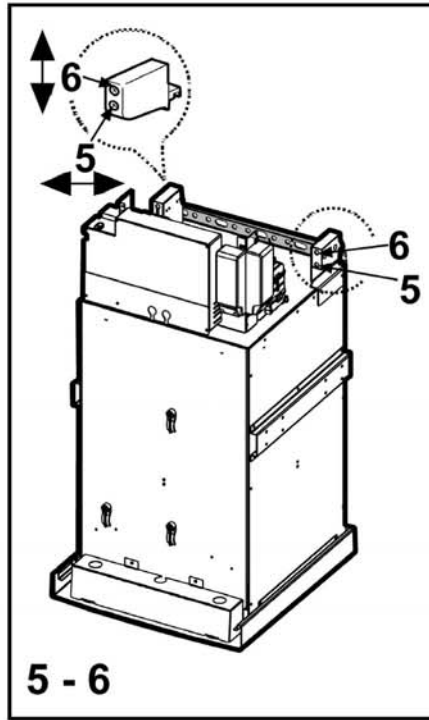
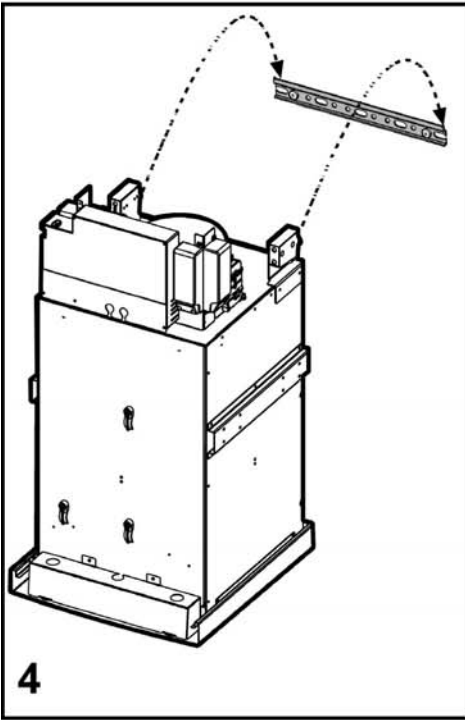


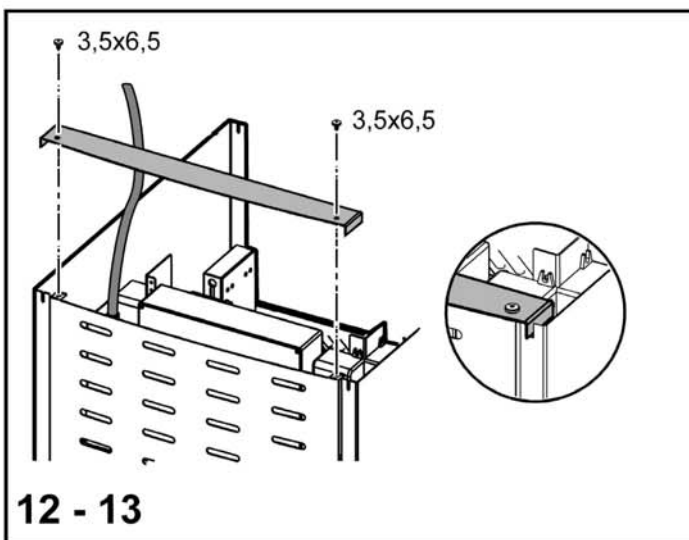
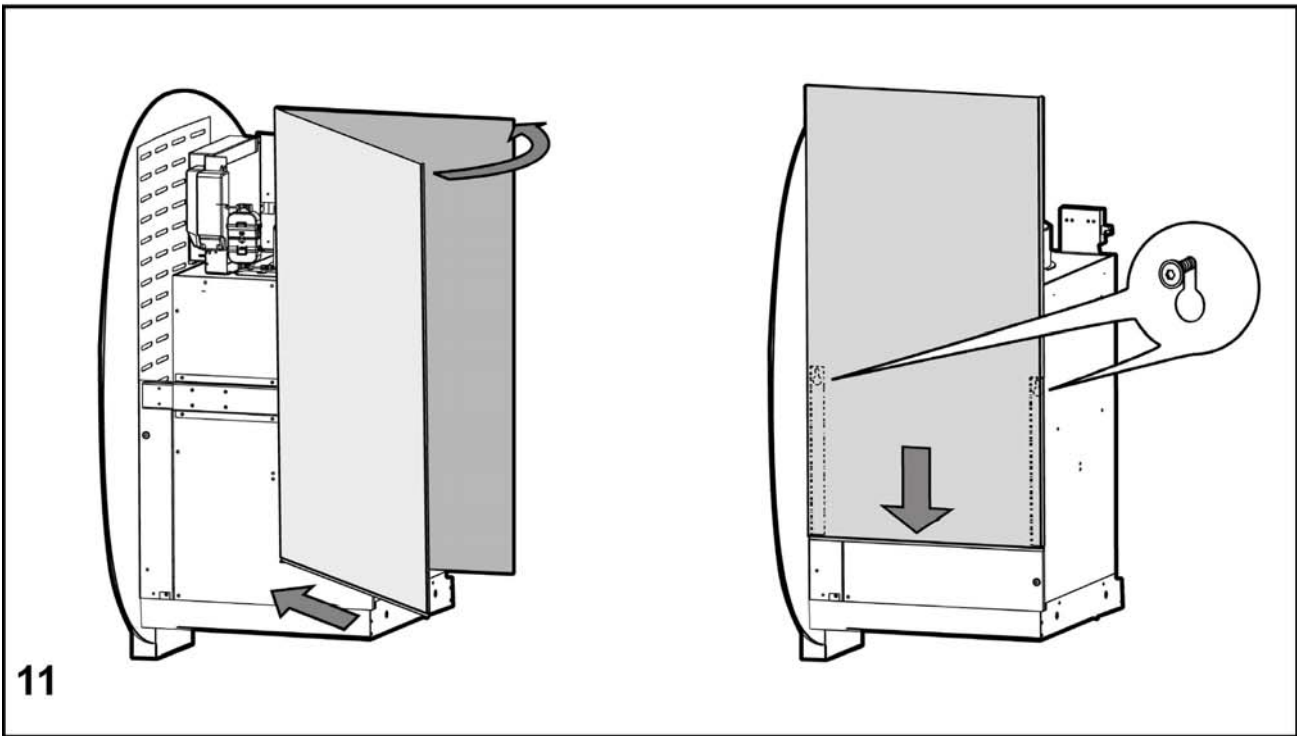
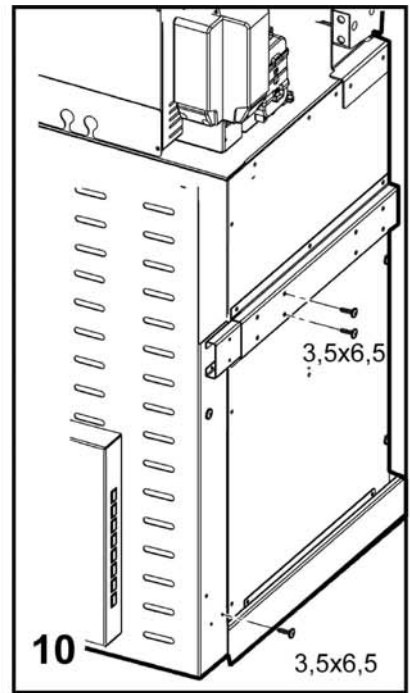
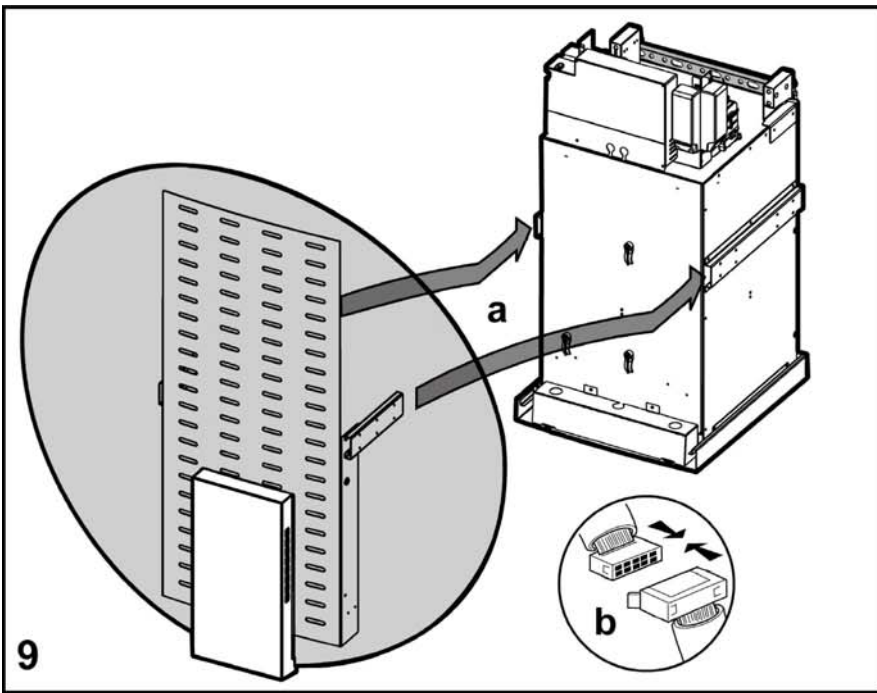




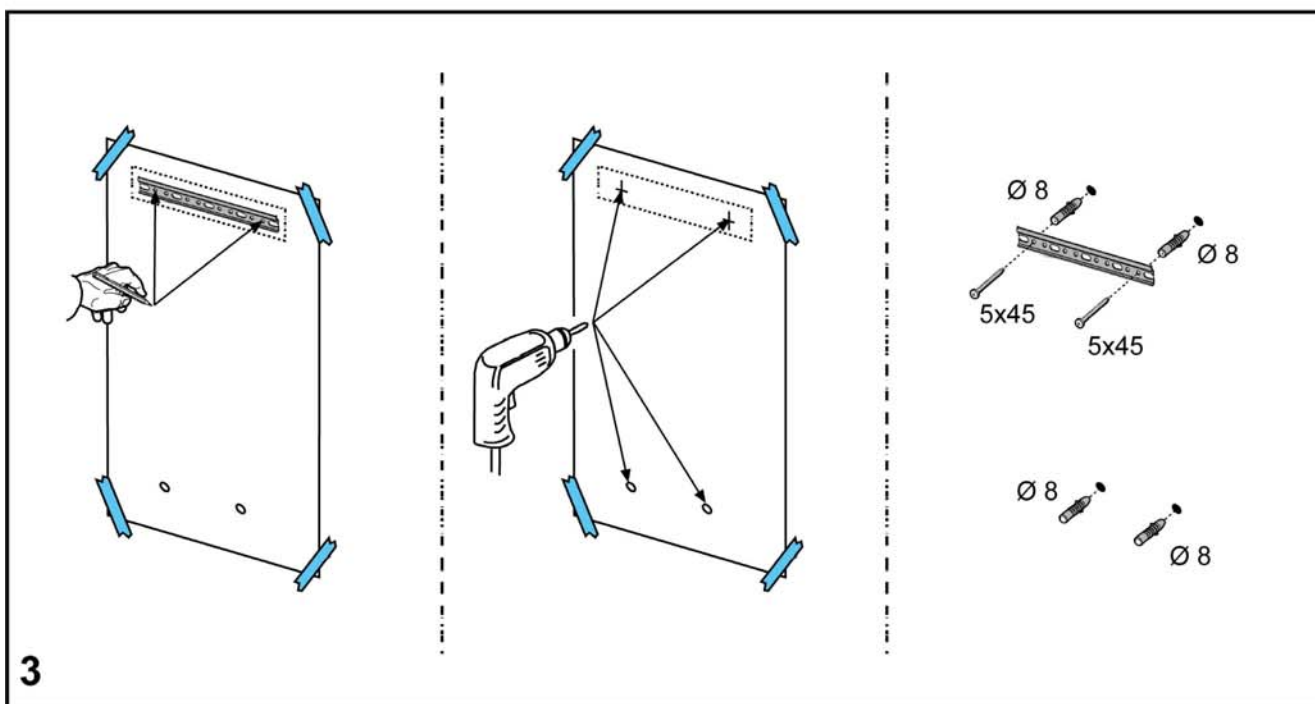
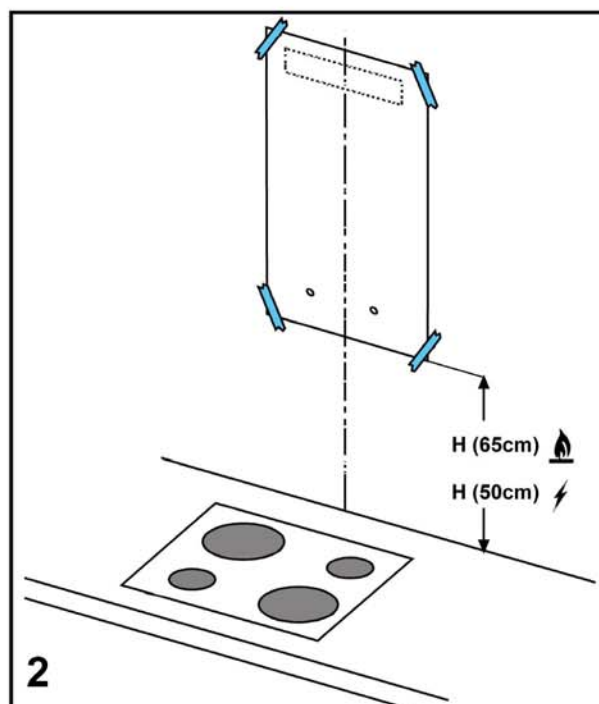
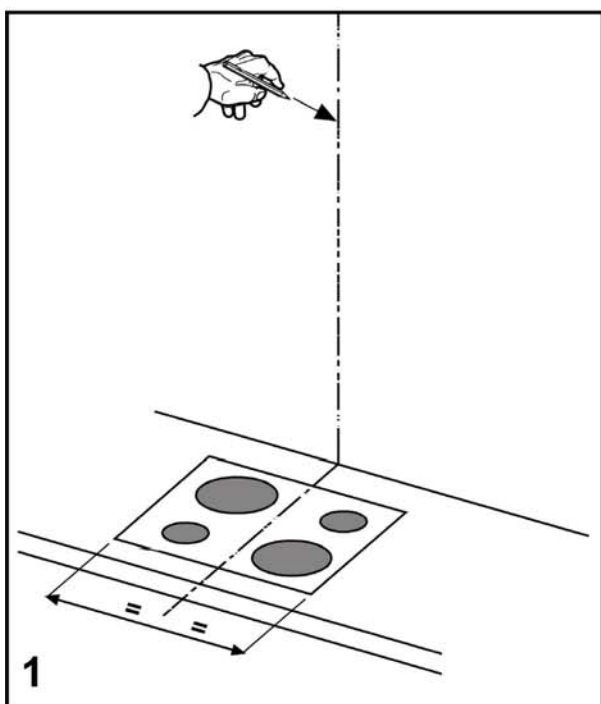
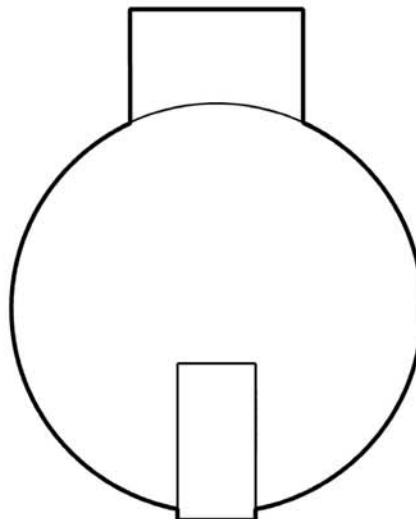
Montage ohne Kaminschacht
Installation without flue
Installation sans cheminée
Installatie zonder rookkanaal
Installazione senza camino
Instalación sin chimenea
Instalação sem chaminé
Εγκατάσταση χωρίς καμινάδα
Instalacja bez komina
Instalace bez komínu
Felszerelés kémény nélkül
Монтаж без дымохода

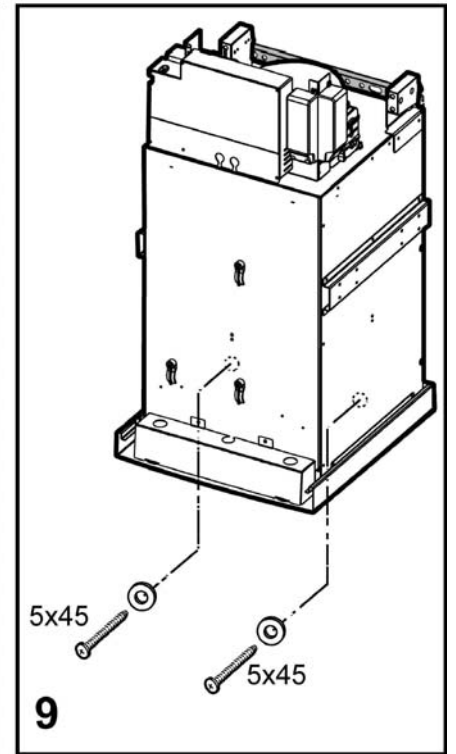
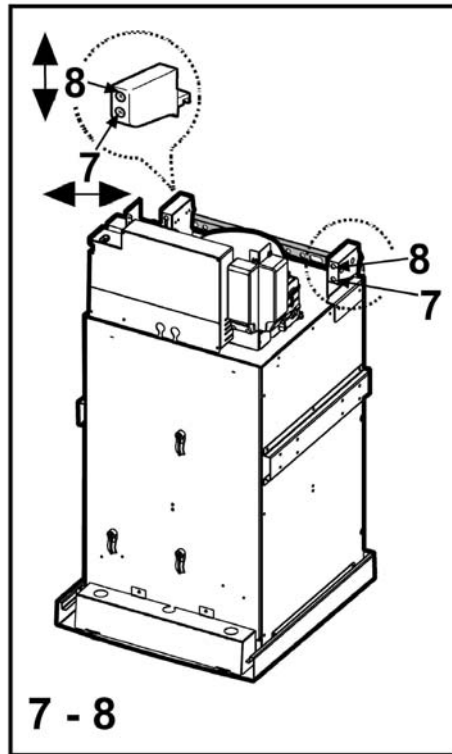
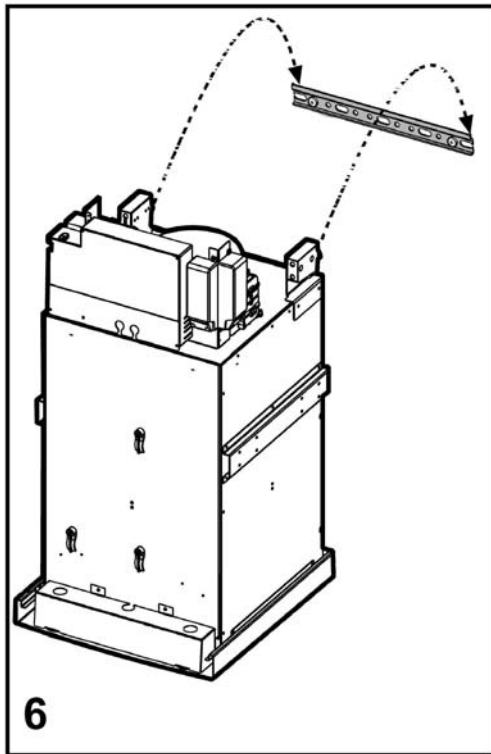
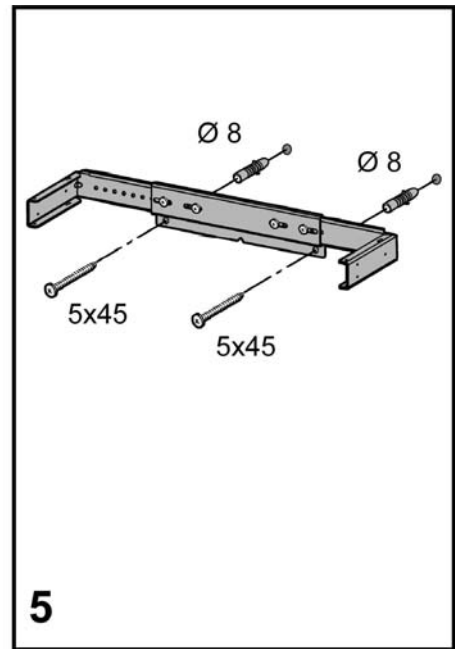
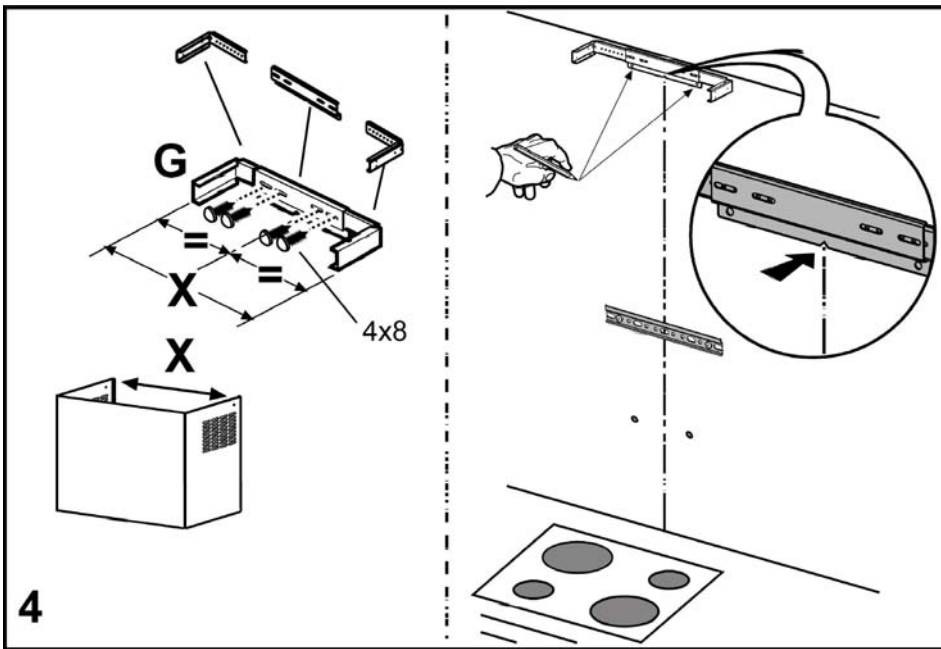


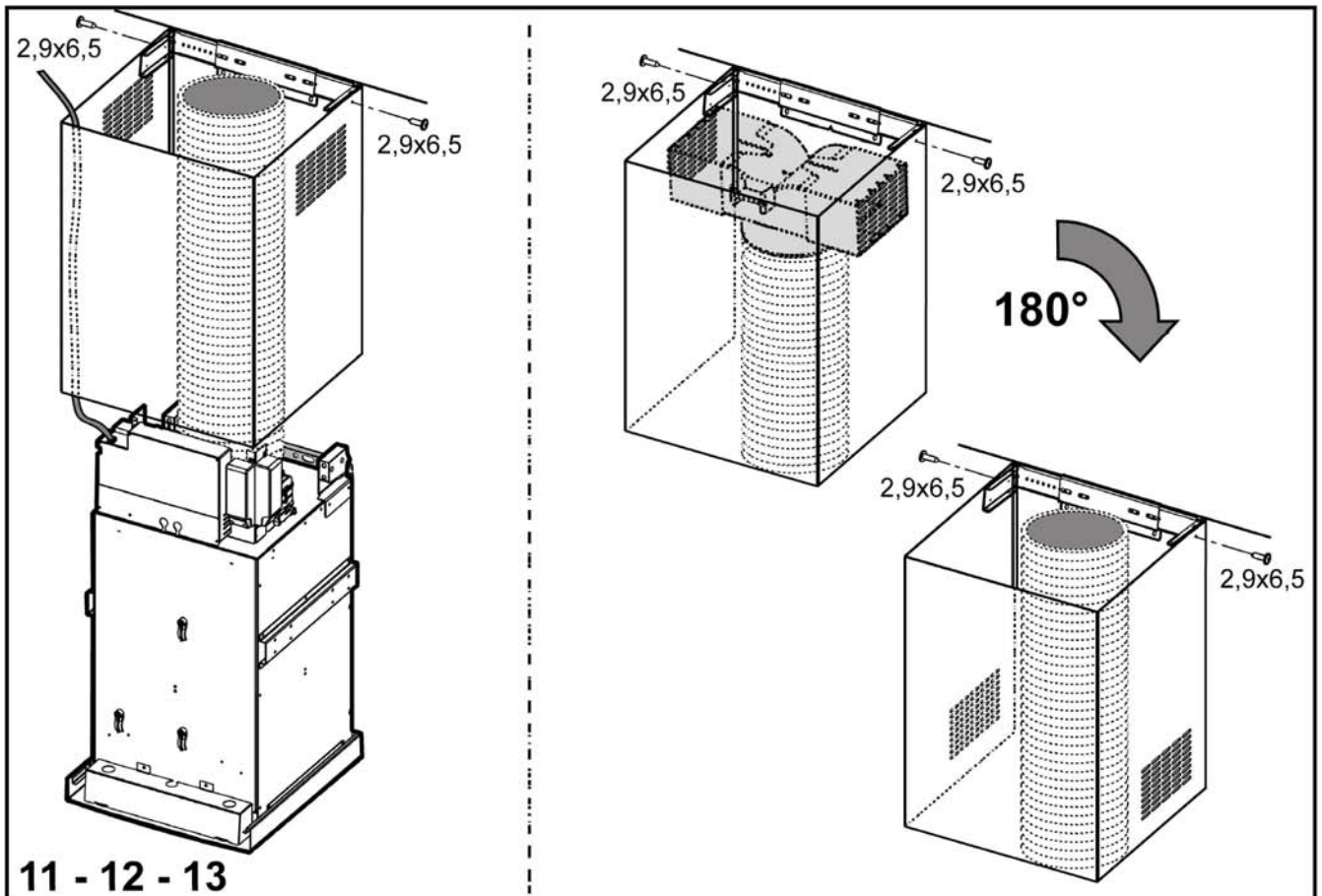
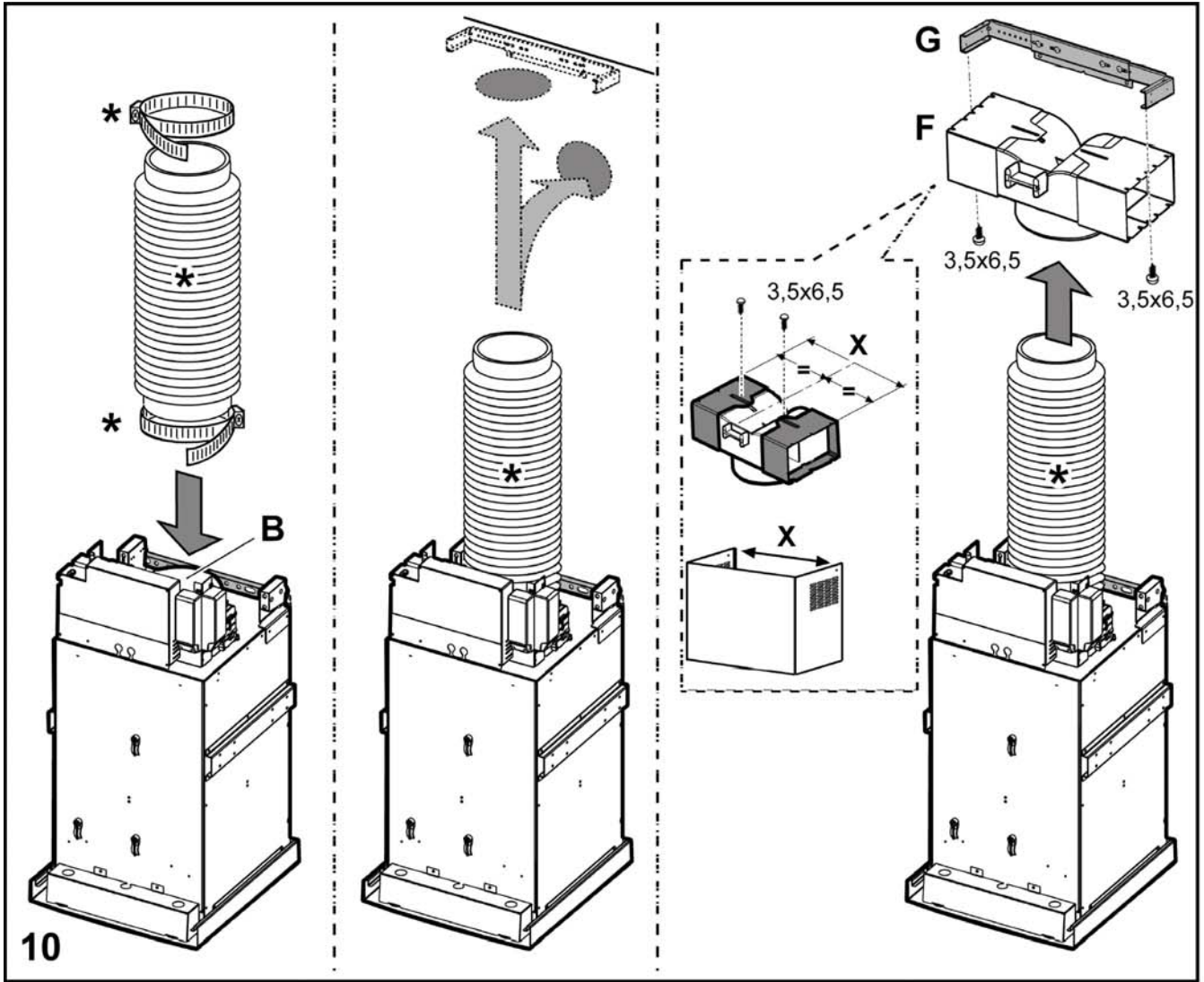


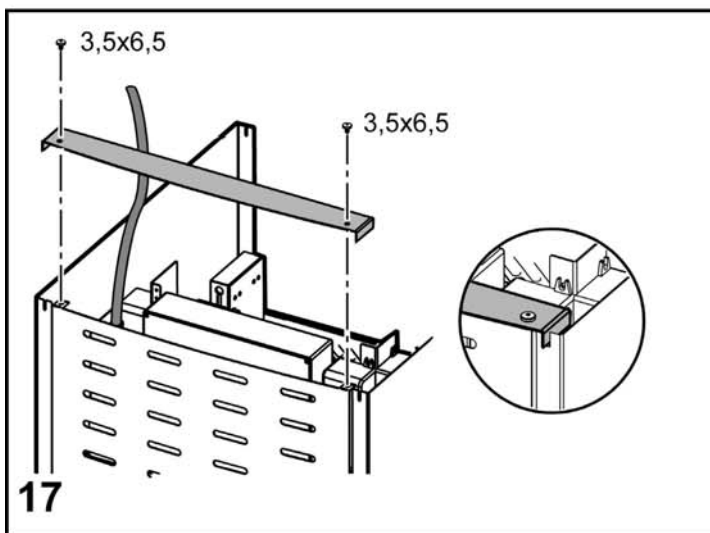
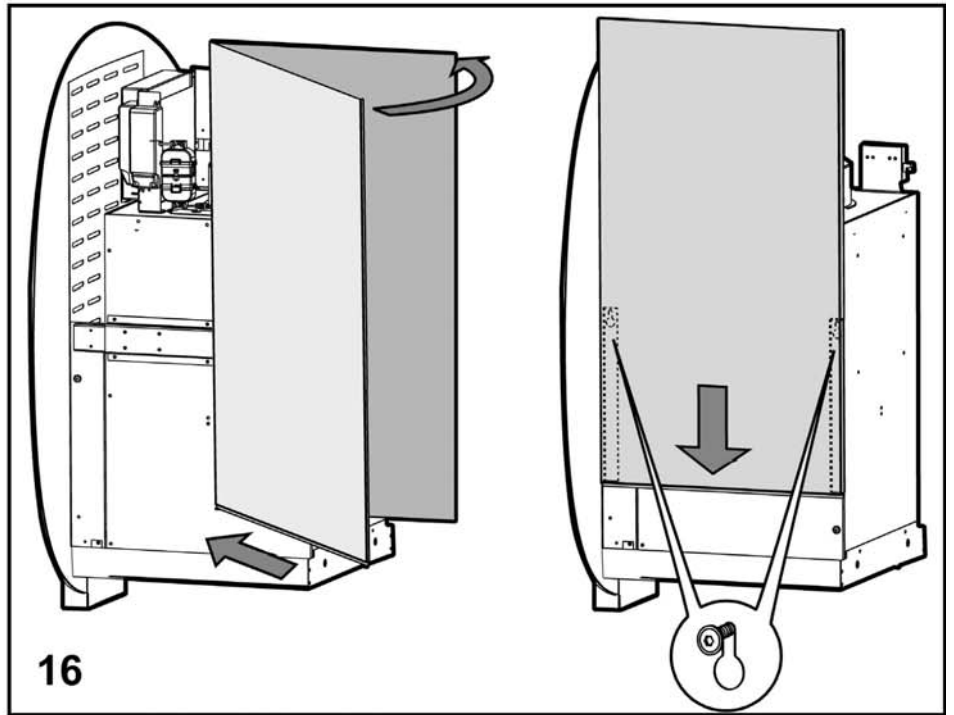
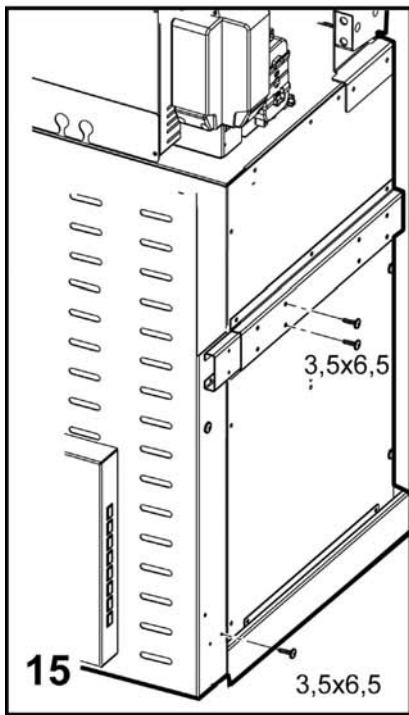
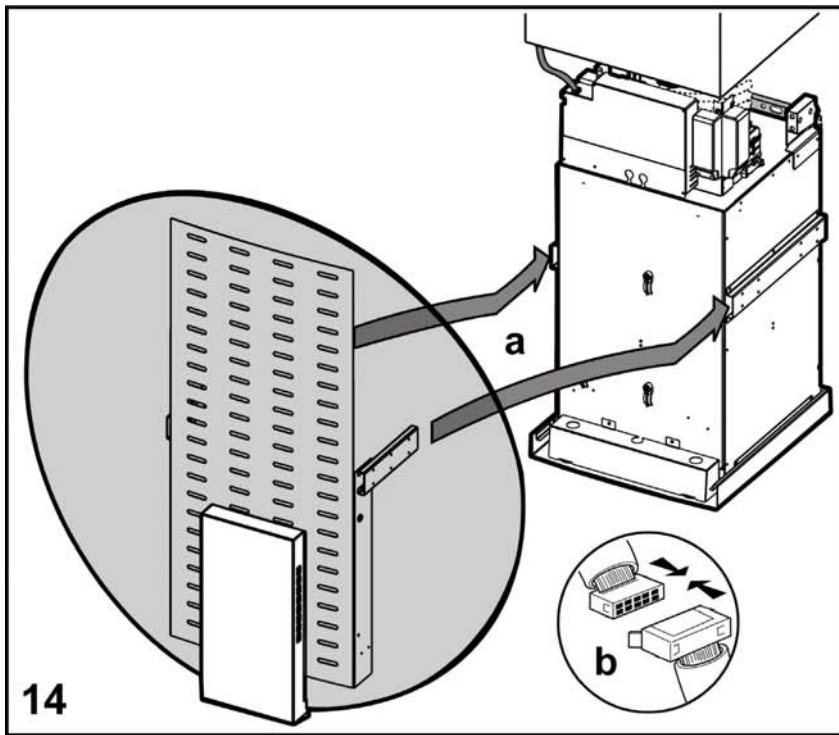


Montage mit Kaminschacht
Installation with flue
Installation avec cheminée
Instalatie met rookkanaal
Installazione con camino
Instalación con chimenea
Instalação com chaminé
Εγκατάσταση με καμινάδα
Instalacja z kominem
Instalace s kominem
Felszerelés kéménnyel
Монтаж с дымоходом









UK - Instruction on mounting and use

Consult the designs in the front pages referenced in the text by alphabet letters.

Closely follow the instructions set out in this manual. All responsibility, for any eventual inconveniences, damages or fires caused by not complying with the instructions in this manual, is declined.

Note: the elements marked with the symbol " *)" are optional accessories supplied only with some models or elements to purchase, not supplied.

Use

The hood is designed to be used either for exhausting or filter version.

Ducting version

The hood is equipped with a top air outlet **B** for discharge of fumes to the outside (exhaust pipe and pipe fixing clamps not provided).

Attention!

If the hood is supplied with carbon filter, then it must be removed.

Filter version

Should it not be possible to discharge cooking fumes and vapour to the outside, the hood can be used in the **filter version**, fitting an activated carbon filter and the deflector **F** (on the support bracket) **G**, fumes and vapours are recycled through the top grille **H** by means of an exhaust pipe connected to the top air outlet **B** and the connection ring mounted on the deflector **F** (exhaust pipe and pipe fixing clamps not provided).

Attention!

If the hood is not supplied with carbon filter, then it must be ordered and mounted.

The models with no suction motor only operate in ducting mode, and must be connected to an external suction device (not supplied).

Installation

The minimum distance between the supporting surface for the cooking vessels on the hob and the lowest part of the range hood must be not less than 50cm from electric cookers and 65cm from gas or mixed cookers.

If the instructions for installation for the gas hob specify a greater distance, this must be adhered to.



Electrical connection

The mains power supply must correspond to the rating indicated on the plate situated inside the hood. If provided with a plug connect the hood to a socket in compliance with current regulations and positioned in an accessible area. If it not fitted with a plug (direct mains connection) or if the plug is not located in an accessible area apply a bi-polar switch in accordance with standards which assures the complete disconnection of the mains under conditions relating to over-

current category III, in accordance with installation instructions.

IMPORTANT: Before re-connecting the hood circuit to the mains supply and checking the efficient function, always check that the mains cable is correctly assembled.

Mounting

Note: The hood may be installed both with and without a chimney.

Before beginning installation:

- Check that the product purchased is of a suitable size for the chosen installation area.
- To facilitate installation, remove the fat filters and the other parts allowed and described here, dismantle and mount it.
To remove see also the relative paragraphs.
- Remove the active carbon (*) filter/s if supplied (see also relative paragraph). This/these is/are to be mounted only if you want to use the hood in the filtering version.
- Check (for transport reasons) that there is no other supplied material inside the hood (e.g. packets with screws (*), guarantees (*), etc.), eventually removing them and keeping them.
- If possible, disconnect and move freestanding or slide-in range from cabinet opening to provide easier access to rear wall/ceiling. Otherwise put a thick, protective covering over countertop, cooktop or range to protect from damage and debris. Select a flat surface for assembling the unit. Cover that surface with a protective covering and place all canopy hood parts and hardware in it.
- Disconnect the hood during electrical connection, by turning the home mains switch off.
- In addition check whether near the installation area of the hood (in the area accessible also with the hood mounted) an electric socket is available and it is possible to connect a fumes discharge device to the outside (only suction version).
- Carry out all the masonry work necessary (e.g. installation of an electric socket and/or a hole for the passage of the discharge tube).

Expansion wall plugs are provided to secure the hood to most types of walls/ceilings. However, a qualified technician must verify suitability of the materials in accordance with the type of wall/ceiling. The wall/ceiling must be strong enough to take the weight of the hood. **Do not tile, grout or silicone this appliance to the wall. Surface mounting only.**

Installation without flue

1. Use a pencil to mark the line representing the centre of the appliance on the wall, as far as the ceiling. This will make the installation process easier.
2. Position the drilling template on the wall: the vertical centre line printed on the template should be aligned with the centre line marked on the wall, and the lower edge of the template should line up with the lower edge of the cooker hood.
3. Rest the lower support bracket on the drilling template, making sure it coincides with the sketched rectangle, then mark the two outer holes and drill them.
Note: Always make the holes indicated on the template: the 2 upper holes are used to position the hood, while the lower holes (generally 1 central or several at the sides) are used to fix it in place and secure it properly.
Remove the drilling template, insert the rawl plugs and fix the cooker hood support bracket in place using 2 screws measuring 5x45 mm.
4. Hang the cooker hood on the lower bracket.
5. Adjust the distance between the cooker hood and the wall.
6. Adjust the horizontal position of the cooker hood.
7. Fix the cooker hood to the wall securely (**COMPULSORY!!**).
8. **Ducting version.**
Connect a tube (tube and fixing clamps not supplied; these are to be purchased separately) for the expulsion of smoke to the connection ring located above the suction motor assembly.
The other end of the tube should be connected to a device for the expulsion of smoke outdoors if the cooker hood is to be used as a ducted version.
Filter version.
Remove the air outlet connection and apply the anti-intrusion grille.
Attention! If the hood is not supplied with carbon filter, then it must be ordered and mounted.
9. Slot the front panel in and perform the necessary electrical connections for the control panel.
10. Fix the front panel in place using 6 screws (3 per side).
11. Slot in the side panels and fix them in place by sliding them downwards.
12. Position the upper fixing bracket and secure it using 2 screws.
13. Perform all necessary electrical connections.
Remount the carbon filter frame and the fat/s filter/s and check the perfect functioning of the hood.

Installation with flue

1. Use a pencil to mark the line representing the centre of the appliance on the wall, as far as the ceiling. This will make the installation process easier.
2. Position the drilling template on the wall: the vertical centre line printed on the template should be aligned with the centre line marked on the wall, and the lower edge of the template should line up with the lower edge of the cooker hood.
3. Rest the lower support bracket on the drilling template, making sure it coincides with the sketched rectangle, then mark the two outer holes and drill them.
Note: Always make the holes indicated on the template: the 2 upper holes are used to position the hood, while the lower holes (generally 1 central or several at the sides) are used to fix it in place and secure it properly.
Remove the drilling template, insert the rawl plugs and fix the cooker hood support bracket in place using 2 screws measuring 5x45 mm.
4. Place the flue support bracket "G" on the wall so that it is against the ceiling, use the flue support bracket as a drilling template (if present, the small slot on the support should coincide with the line made previously on the wall) and use a pencil to mark 2 holes, then drill them (Ø 8 mm) and insert 2 rawl plugs.
5. Fix the flue support bracket to the wall using 2 screws measuring 5x45 mm.
6. Hang the cooker hood on the lower bracket.
7. Adjust the distance between the cooker hood and the wall.
8. Adjust the horizontal position of the cooker hood.
9. Fix the cooker hood to the wall securely (**COMPULSORY!!**).
10. Connect a tube (tube and fixing clamps not supplied; these are to be purchased separately) for the expulsion of smoke to the connection ring located above the suction motor assembly.
The other end of the tube should be connected to a device for the expulsion of smoke outdoors if the cooker hood is to be used as a ducted version. If you wish to use the cooker hood as a filter version, fix deflector F to flue support bracket G and connect the other end of the tube to the connection ring located under deflector F.
11. Perform all necessary electrical connections.
12. Position the flue.
13. Fix the flue to the flue support bracket G using 2 screws.
14. Slot the front panel in and perform the necessary electrical connections for the control panel.
15. Fix the front panel in place using 6 screws (3 per side).
16. Slot in the side panels and fix them in place by sliding them downwards.
17. Position the upper fixing bracket and secure it using 2 screws.
Remount the carbon filter frame and the fat/s filter/s and check the perfect functioning of the hood.

Description of the hood

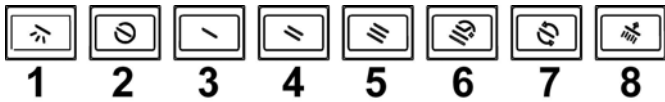
Fig. 1

1. Control panel
2. Grease filter
3. Grease filter release handle
4. Halogen lamp
5. Vapour screen
6. Telescopic chimney
7. Air outlet (used for filter version only)
8. Panel

Operation

Use the high suction speed in cases of concentrated kitchen vapours. It is recommended that the cooker hood suction is switched on for 5 minutes prior to cooking and to leave in operation during cooking and for another 15 minutes approximately after terminating cooking.

Control panel



1. **Lights ON/OFF Key:** press and release to turn the lights on and off at the preset intensity; keep pressed to adjust the intensity of the light.
2. **ON Stand by)/OFF suction Key**
-ON Stand by) – the Key is on.
-OFF - the Key is off: all the commands with the exception of key 1 are disabled.
To set the hood on **ON stand by)** or **OFF** press the key and wait until the key lights up or turns off on the basis of the setting desired.
3. **Speed (power) suction selection key 1:** press once to select the suction speed (power), press again and keep it pressed to activate 20 minute (flashing key) functioning time, after which the hood turns off (Stand by)
4. **Speed (power) suction selection key 2:** press once to select the suction speed (power), press again and keep it pressed to activate 15 minute (flashing key) functioning time, after which the hood turns off (Stand by)
5. **Speed (power) suction selection key 3:** press once to select the suction speed (power), press again and keep it pressed to activate 10 minute (flashing key) functioning time, after which the hood turns off (Stand by).
6. **Intensive suction speed (power) ON/OFF selection key (timed):** press to select the suction speed (power). Functioning time is 5 minutes after which suction turns off or returns to the speed (power) previously selected.
7. **COMFORT button:** the hood begins to operate in a "cyclical" manner when filtering the air, which means the motor is activated at speed level 1 for 5 minutes and then switched OFF for 30 minutes. This operating mode remains set until the OFF button (or any of the speed buttons) is pressed; this will stop the COMFORT function and activate the motor at the selected speed level.
8. **Reset saturation filters key:** the hood, through the signal of this luminous key, tells the user when it is

necessary to carry out maintenance of the fat filters and the carbon filter.

Key lit in green: carry out maintenance of the fat filters, after which press the key for about 3 seconds and the key turns off.

Key lit in red: carry out maintenance of the carbon filter, after which press the key for about 3 seconds and the key turns off.

Attention: the hood is preset only for signaling the fat filters.

To enable the signaling of the carbon filter: Set the hood on OFF, press key 8 for 3 seconds. The key turns on in red to signal that the setting has taken place. To disable the carbon filter signal, repeat this operation again (the key lights up in green).

Note: A beep sounds each time this key is pressed.

Selecting the cooking top

This operation optimizes the automatic functioning of the hood. Proceed as follows:

- Set the hood on OFF
- Press keys 7 and 8 contemporaneously to enter into the choosing the cooking top mode. The key that lights up indicates the preset cooking top:
Key 3: gas cooking top
Key 4: induction cooking top
Key 5: electric cooking top
- Press keys 7 and 8 again contemporaneously to choose the desired cooking top
- Press key 2 to set the choice made.

Maintenance

ATTENTION! Before performing any maintenance operation, isolate the hood from the electrical supply by switching off at the connector and removing the connector fuse.

Or if the appliance has been connected through a plug and socket, then the plug must be removed from the socket.

Cleaning

The cooker hood should be cleaned regularly (at least with the same frequency with which you carry out maintenance of the fat filters) internally and externally. Clean using the cloth dampened with neutral liquid detergent. Do not use abrasive products. **DO NOT USE ALCOHOL!**

Warning:

Failure to carry out the basic cleaning recommendations of the cooker hood and replacement of the filters may cause fire risks.

Therefore, we recommend observing these instructions.

The manufacturer declines all responsibility for any damage to the motor or any fire damage linked to inappropriate maintenance or failure to observe the above safety recommendations.

Grease filter

Fig. 2

This must be cleaned once a month or when the filter saturation indication system – if envisaged on the model in possession – indicates this necessity) using non aggressive detergents, either by hand or in the dishwasher, which must be set to a low temperature and a short cycle.

When washed in a dishwasher, the grease filter may discolour slightly, but this does not affect its filtering capacity.

Remove the filter holder frame by turning the knobs **g)** 90° that affix the chimney to the cooker hood.

Charcoal filter (filter version only)

Fig. 3

It absorbs unpleasant odours caused by cooking.

The charcoal filter can be washed once every two months or when the filter saturation indication system – if envisaged on the model in possession – indicates this necessity) using hot water and a suitable detergent, or in a dishwasher at 65°C if the dishwasher is used, select the full cycle function and leave dishes out).

Eliminate excess water without damaging the filter, then put it in the oven for 10 minutes at 100° C to dry completely. Replace the mattress every 3 years and when the cloth is damaged.

Assembly

Place the mat around the grease filter and fix it in place using the devices provided.

Position the upper cap and fix it in place using the fixing pin.

To disassemble, perform the steps in the reverse order.

Replacing lamps

Fig. 4

Disconnect the hood from the electricity.

Warning! Prior to touching the light bulbs ensure they are cooled down.

- Use a small screwdriver as a lever on the borders of the lamp in order to remove the lightbulb.
- Slide out the lightbulb to be replaced and replace with a new 12V 20W 30° Ø35 12V GU4.
- Carry out the replacement and mount the new lightbulb by following instructions in the reverse.

If the lights do not work, make sure that the lamps are fitted properly into their housings before you call for technical assistance.

Caution

WARNING! Do not connect the appliance to the mains until the installation is fully complete.

Before any cleaning or maintenance operation, disconnect the hood from the mains by removing the plug or disconnecting the home mains switch.

The appliance is not intended for use by children or persons with impaired physical, sensorial or mental faculties, or if lacking in experience or know-how, unless they are under supervision or have been trained in the use of the appliance by a person responsible for their safety.

Children should be monitored to ensure that they do not play with the appliance.

Never use the hood without effectively mounted grating.!

The hood must NEVER be used as a support surface unless specifically indicated.

The premises must be sufficiently ventilated, when the kitchen hood is used together with other gas combustion devices or other fuels.

The suctioned air must not be conveyed into a conduit used for the disposal of the fumes generated by appliances that combust gases or other fuels.

The flaming of foods beneath the hood itself is severely prohibited.

The use of exposed flames is detrimental to the filters and may cause a fire risk, and must therefore be avoided in all circumstances.

Any frying must be done with care in order to make sure that the oil does not overheat and burst into flames.

As regards the technical and safety measures to be adopted for fume discharging it is important to closely follow the relations provided by the competent authorities.

The hood must be regularly cleaned on both the inside and outside AT LEAST ONCE A MONTH, it is in any event necessary to proceed in accordance with the maintenance instructions provided in this manual).


Failure to follow the instructions as concerns hood and filter cleaning will lead to the risk of fires.

Do not use or leave the hood without the lamp correctly mounted because of the possible risk of electric shocks.

We decline any responsibility for any problems, damage or fires caused to the appliance as the result of the non-observance of the instructions included in this manual.

This appliance is marked according to the European directive 2002/96/EC on Waste Electrical and Electronic Equipment (WEEE). By ensuring this product is disposed of correctly, you will help prevent potential negative consequences for the environment and human health, which could otherwise be caused by inappropriate waste handling of this product.



The symbol  on the product, or on the documents accompanying the product, indicates that this appliance may not be treated as household waste. Instead it shall be handed over to the applicable collection point for the recycling of electrical and electronic equipment. Disposal must be carried out in accordance with local environmental regulations for waste disposal.

For more detailed information about treatment, recovery and recycling of this product, please contact your local city office, your household waste disposal service or the shop where you purchased the product.

